



YANMAR

MARINE COMMON-RAIL ENGINES

4LV Series

150-250 mhp





4LV Series

150-170-195-230-250 MHP

Featuring the latest engine technologies, the 4LV Series is undoubtedly cleaner, quieter, and produces more torque & acceleration than any other engine in its class. The 4LV is the ideal solution for sailing yachts over 50 ft, super yacht tenders, small motorboats and light duty commercial vessels.

The 4LV proves to be an extremely efficient engine without any compromise on quality. Featuring the newest system in common-rail technology, the mid-range engines deliver maximum performance and reliability, while maintaining minimal fuel consumption and exceptionally low noise & emission levels. By exceeding the strict EPA Tier 3 and EU RCD Stage 2 emission regulations, the engines feature virtually smoke and odor free operation.

Equally, the 4LV doesn't disappoint in performance. The 2.8 L displacement delivers a powerful low-end torque performance. This results in a stunning acceleration and really sets these engines apart from others in their power range.

To ensure support of advancing marine technologies, direct connectivity to NMEA and J1939 CAN-bus networks has been purpose engineered into the 4LV range, allowing future-proofed integration to any multifunction bridge display.

Over and above the impressive performance, the resounding benefit of the 4LV Series remains its versatility. Fulfilling needs across all boating applications, the 4LV is the perfect solution for new builds and repowering. It is compact and easily fits into previous model footprints. An ideal installation for sailboats, motor boats, or light commercial vessels, the 4LV range will be complemented by a choice of YANMAR's expanding controls, including the VC10 electronic control panel, providing real time diagnostics, and the JC20 joystick system, providing innovative maneuvering solutions.



Features:

- ◆ Specifically designed for sailing yachts over 50 ft, super yacht tenders, small motor boats and light duty commercial vessels
- ◆ Powerful low-end torque performance, delivering superior acceleration
- ◆ Exceeds EPA Tier 3 & RCD Stage 2 emissions regulations
- ◆ Measures significantly low in smoke, odor, & noise
- ◆ Direct connectivity for plug & play integration



Photo: X-Yachts, model: X65

5x
BEST IN CLASS

CLEAN

INTERCONNECTIVE

QUIET

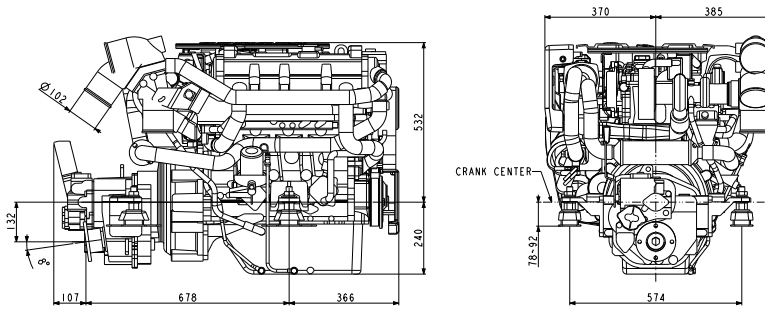
POWERFUL

FUEL EFFICIENT

MAXIMUM OUTPUT AT CRANKSHAFT

MODEL	RATED POWER @SPEED
4LV150	150 mhp / 110 kW @3500 rpm
4LV170	170 mhp / 125 kW @3500 rpm
4LV195	195 mhp / 143 kW @3500 rpm
4LV230	230 mhp / 169 kW @3800 rpm
4LV250	250 mhp / 183 kW @3800 rpm

DIMENSIONS



SPECIFICATIONS

DISPLACEMENT	2.755 L	[168 cu in]
BORE X STROKE	92 mm X 103.6 mm	[3.6 in x 4 in]
CYLINDERS	4 IN-LINE	
COMBUSTION SYSTEM	DIRECT INJECTION WITH DENSO COMMON-RAIL SYSTEM	
LOW IDLE RPM	700 rpm	
ASPIRATION	TURBOCHARGER WITH CHARGE-AIR COOLER	
STARTING SYTEM	ELECTRIC STARTING 12V – 2 KW	
ALTERNATOR	DENSO 12V - 130A	
COOLING SYSTEM	FRESH WATER COOLING BY CENTRIFUGAL FRESH WATER PUMP SEA WATER COOLING BY RUBBER IMPELLER SEAWATER PUMP	
LUBRICATION SYSTEM	ENCLOSED, FORCED LUBRICATING SYSTEM	
DIRECTION OF ROTATION [CRANKSHAFT]	COUNTERCLOCKWISE VIEWED FROM STERN	
DRY WEIGHT WITHOUT GEAR*	332 kg	[732 lbs]
WEIGHT INCLUDING KMH50A GEAR	384 kg	[846 lbs]
EMISSION COMPLIANCE	EU: RCD 2, BSO II, EMC	US: EPA TIER 3
ENGINE MOUNTING	RUBBER TYPE FLEXIBLE MOUNTING	
OPTIONS**	VC10 CONTROL SYSTEM, JC20 JOYSTICK SYSTEM, 2ND ALTERNATOR, SEMI 2-POLE	

* Including damper disk.

**For a full list of controls and options, please see the detailed 4LV Datasheet.

5x

BEST IN CLASS

CLEAN

Exceeds strict EPA Tier 3 and EU RCD Tier 2 emission regulations, providing a nearly smoke and odor free experience.

INTERCONNECTIVE

Engineered with direct connectivity to the latest integrated control and monitoring systems, supporting advancing marine technologies.

QUIET

Technology that enables exceptionally low vibration and noise levels, ensuring a smooth and quiet running engine.

POWERFUL

Class leading power to weight ratio and low-end torque performance.

FUEL EFFICIENT

Digital controls monitor the engine to minimize fuel consumption and optimize performance.

PROVEN MARINE TECHNOLOGY

www.yanmarmarine.com