

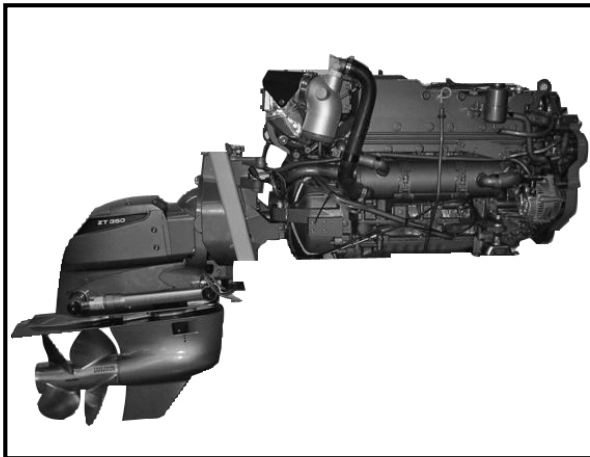
YANMAR

POWER PROFILE

Application:	Parasail
Vessel Construction:	Fiberglass
Vessel Name:	Island Parasail
Vessel Brand :	Fastlane
Length (LWL/LOA):	29ft / 8.8M
Weight:	3,000kg
Engine:	Yanmar 6LPA-STZTP2
Engine Power Rating:	232kW (315mhp) @ 3800 RPM
Drive configuration:	Sterndrive x 1
Gear Ratio and Model:	1.78 : 1 / Yanmar ZT 350
Cruise Speed /Fuel Consumption	30 knots / Daily Av = 15 L/hr
Top Speed:	38 knots
Propeller Size:	24P
Technician Name:	Nick Marsden
Date of Operational check:	13th April 2010
Sold by:	All Marine Services
Repower & Installation Completed By:	All Marine Services

YANMAR

POWER PROFILE



Comments:

Operational Check # QLD 515 refers.

Previous power Yanmar 6LPA-STZP using Bravo2X sterndrive.

Upgrade to ZT350 has realised 8+Knots top speed and 6+ knots at cruise. QLD515

Disclaimer: Power Equipment provides this Performance Report for general information only. This data is accurate only as to the exact date, time and specifications set out in this Report. YANMAR makes no warranties as to the performance or fuel consumption of any boat equipped with a Yanmar engine as numerous factors affect actual performance of an engine.