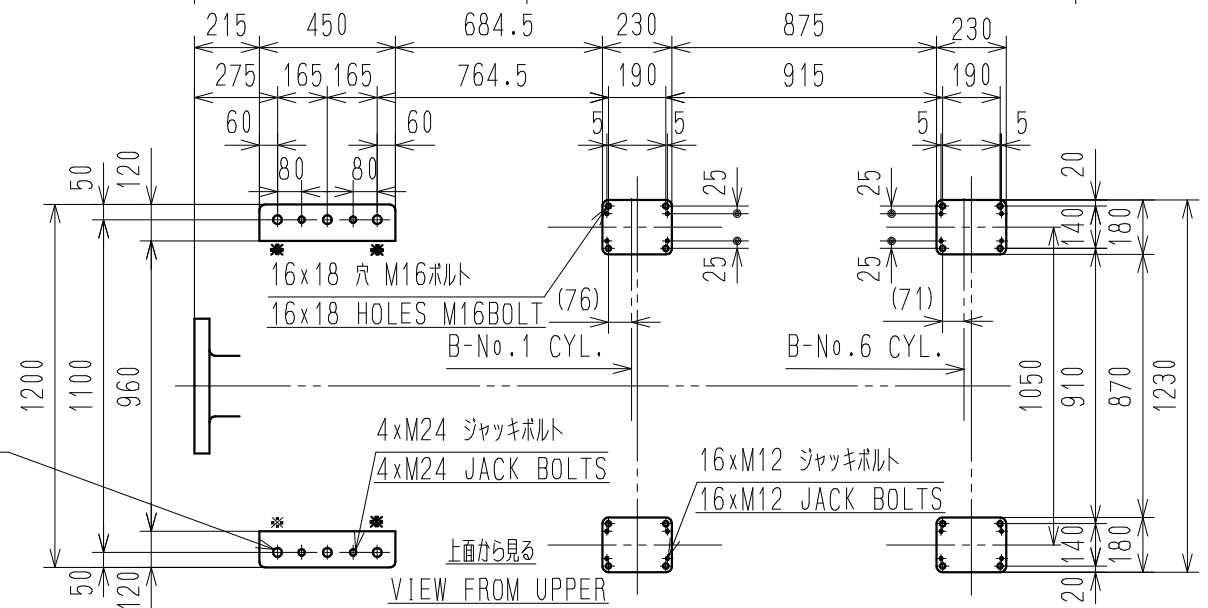
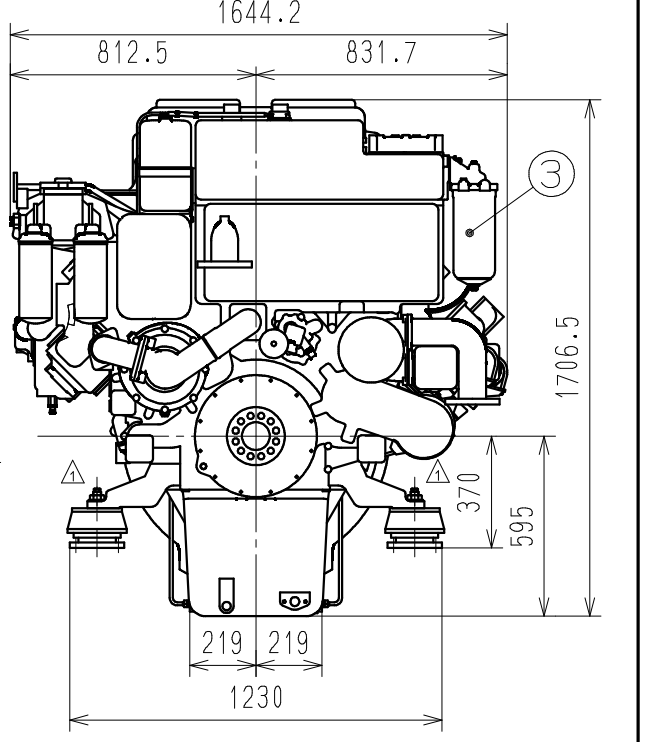
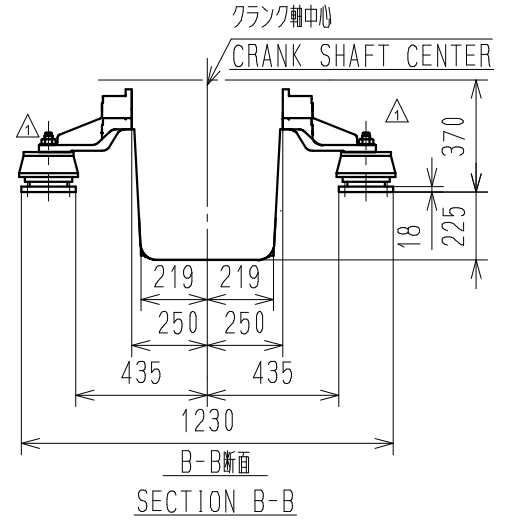
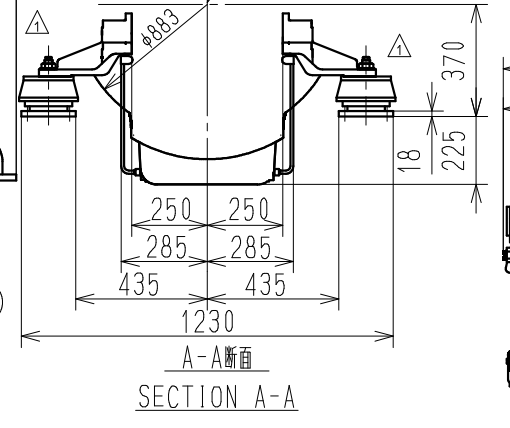
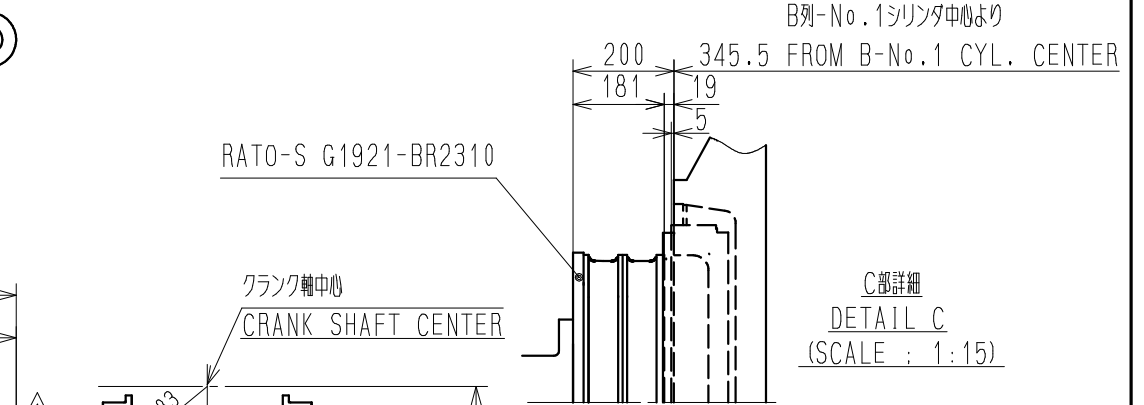
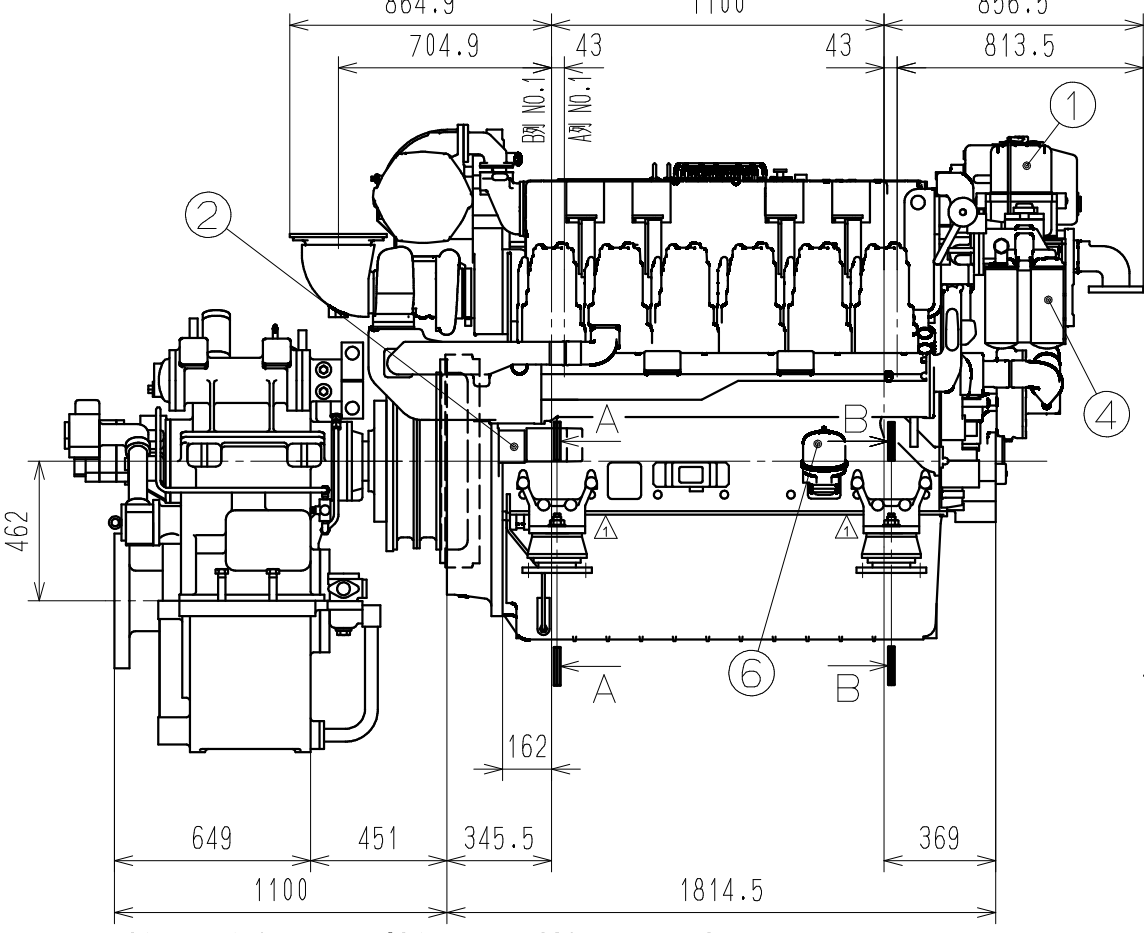
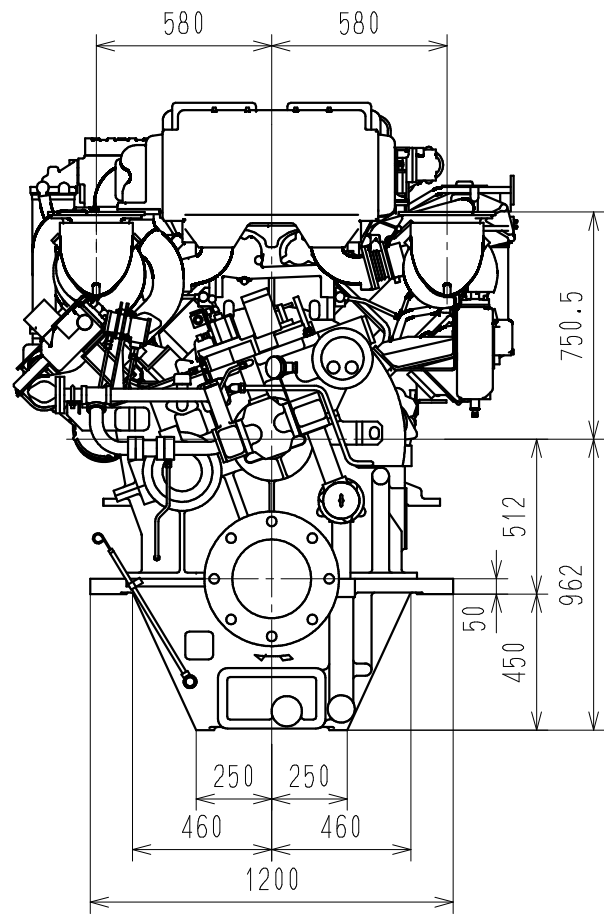
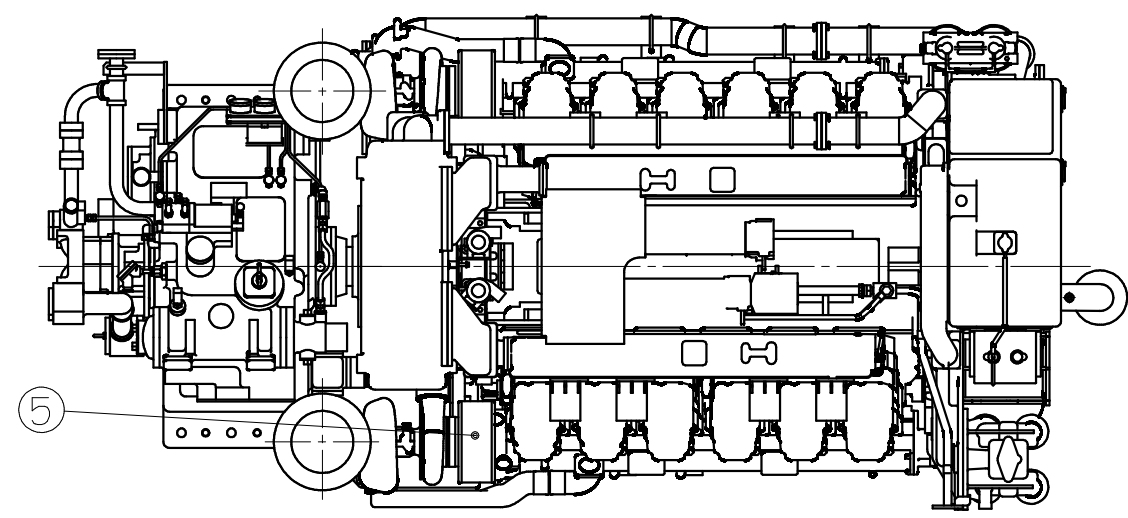


No.	機器名称	NAME
1	清水タンク	FRESH WATER TANK
2	始動用モータ	STARTING MOTOR
3	燃料油こし	FUEL OIL FILTER
4	潤滑油こし	LUB. OIL FILTER
5	過給機吸気フィルタ	AIR FILTER FOR TURBO.
6	潤滑油遠心式こし	LUB.OIL BYPASS FILTER

主要目		PRINCIPAL DATA	
ENGINE MODEL	-	12AY-WET, -WGT	
RED. & REV. GEAR MODEL	-	MGN924VY	
No. OF CYLINDER	-	12	
ROTATION OF PROP. SHAFT	-	左舷機	右舷機
(VIEW FROM PROP. SHAFT)	-	C.W / C.C.W	
DRY MASS (APPROX.)	kg	7124	



Drawn	M.Shinagawa	Customer	
Designed	D.Ruban	Work No.	S.No.
Checked		Name	12AY-W(G) (E) T x MGN924VY
Approved		外形図 OUTLINE	
YANMAR CO.,LTD.		Scale	1:25
		Date	H23.2.7
		Code	B3-48991-0290
		3rd Angle Proj.	△