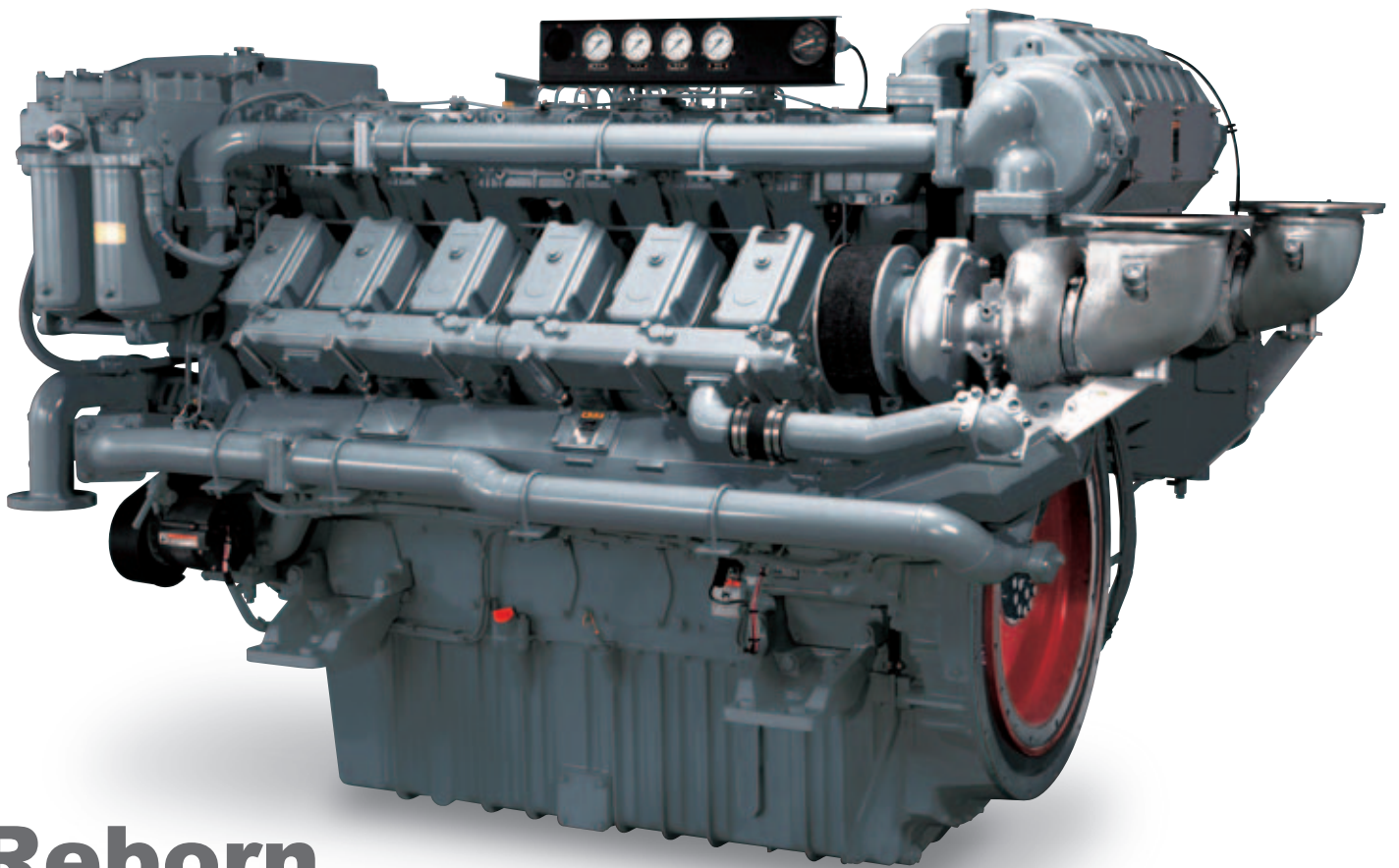


12AYM-WST

H-rating 1030kW [1400mhp] / H-rating 882kW [1200mhp]



Photograph may show optional equipment.

Reborn **Power and Quality**

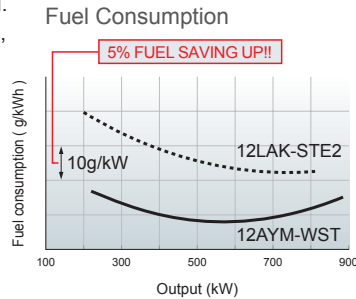
IMO TierII Compliant / Mechanical Engine Control

1200mhp
1400mhp

**LONG
STROKE**

Reborn V12 power you can rely on, developed from years of experience with the latest technology

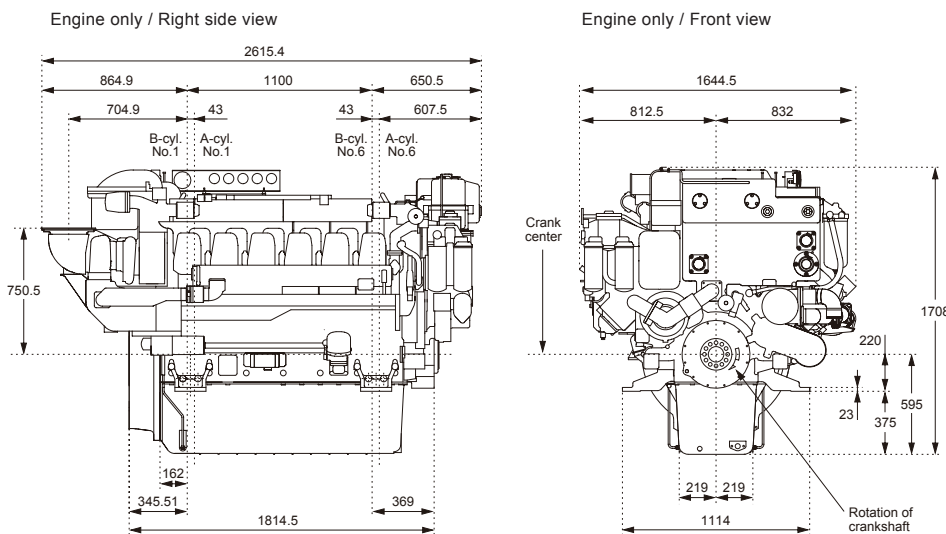
Since the 12LA and 16LA series engines were first sold in 1980's, Yanmar has supplied more than 2,000 of them around the world. Based on this success, we have developed the new 12AY series, a reliable, high-performance V12 engine reborn as our 1,000 hp-plus high-power model. We use the same proven technology from our best-selling 6AY series, meeting IMO Tier II exhaust emission standards without electronic engine control. With its stable high torque, this engine features a prolonged lifecycle design that boasts low NOx and fuel consumption thanks to a new, efficient combustion method, improved durability, and ease of maintenance. This engine will help cut costs and reduce downtime.



Engine Specifications

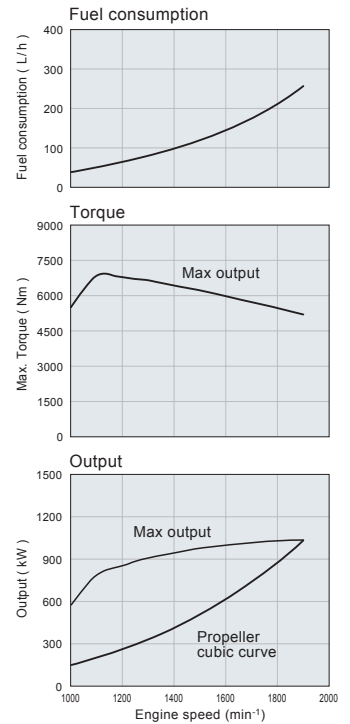
Model	12AYM-WST	
Type	V-type, vertical, water-cooled, 4-cycle diesel engine	
No. of cylinders, Bore × stroke mm	12, 155 × 180	
Displacement lit.	40.76	
Rated output kW(hp)/rpm	H: 1030 (1400) / 1900	H: 882 (1200) / 1850
Emission	IMO Tier II	
Fuel consumption gr/kW · hr	H: 211*5% (without marine gear)	H: 205*5% (without marine gear)
Direction of rotation	Counterclockwise, when viewed from the flywheel side (crankshaft)	
Combustion system	Direct injection	
Cooling system	Constant high temperature cooling system	
Cooling fresh water capacity lit.	211 (jacket)	
Lubricating system	Wet sump system, forced lubrication by gear pump	
Lubricating oil capacity lit.	Max.: 170 Min.: 110 (sump tank) (in engine piping line: 25)	
Lubricating oil grade	SAE40 or SAE15W-40	
Starting system	Electric starting motor (DC24V-6.5kW) × 2 or air motor × 2	
Flywheel housing size inch	SAE #00, 21	
Dry weight kg	4870 (without Fresh water cooler)	

Dimensions (Unit : mm)

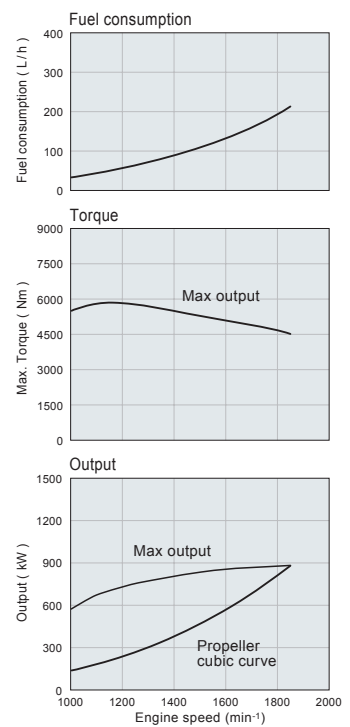


Performance Curves

H rating 1030kW [1400mhp]



H rating 882kW [1200mhp]



Rating definitions : hp=0.7355kW Ratings are based on conditions of 100kPa, 30% relative humidity at 25 °C.
H = For applications where use of rated power is less than 24hours continuous out of every 30 hours and operation is less than 4000 hours per year.
When combined with a correctly matched propeller which allows the engine rated rpm to be achieved in a fully loaded vessel state, the reduced-power operation can be at or below 50 rpm of the rated speed.
Fuel rates : Specific gravity 0.835g/cc, low calorific value 42700kJ/kg (10200kcal/kg), Cetane No.45.

YANMAR CO., LTD.

Marine Operations Division.
5-3-1, Tsukaguchi Honmachi Amagasaki, Hyogo, Japan
Tel : +81-6-6428-3120 Fax : +81-6-6421-2202
yanmar.com

Note : All data subject to change without notice.