

Remote control panel

The gen-set control panel was designed to include, in one single panel, the switches, control devices and the protection devices. The components are the following :

- Digital Hour-meter.
- Start-stop button.
- Warning lamps for high temperature, low oil pressure, generator running, low fuel level.
- Cable for remote connection, length 10 mt.

Engine

- Easy access for feeding system and lubrication's maintenance
- Safety shutdown in case of low oil pressure.
- Safety shutdown in case of high engine temperature.
- Easy access oil and fuel filters.

Alternator

- Synchronous, 2 poles, brushless self-excited, self-regulated.
- Rotor and stator epoxy resin coated against external agents.
- Rotor dynamically balanced.
- Insulation class H.

Soundproof cabin

A new project and a new great design. It is done with a frame structure made of steel painted with a special strong varnish against all external agents.

Excellent accessibility inside the genset makes also easier maintenance services even with genset installed in narrow site.

ENGINE

Model	Yanmar L70 N
Type	Diesel 4 stroke
Cylinders (nr.)	1
Displacement (cc)	296
Power (hp)	6,1
RPM	3000
Combustion system	Direct
Speed governor	Centrifugal, mechanical
Lubrication system	Forced
Oil sump capacity (lt)	1,1
Engine stop system	Solenoid
Fuel pump	Electric
Fuel pump discharge (cm)	70
Fuel consumption (l/h)	1,3
Starting battery (Ah-V)	45 - 12
Battery charger (Ah-V)	10 - 12
Starter (kW-V)	0,8 - 12

ALTERNATOR

Type	Synchronous type, 2-poles, auto excited
Cooling	Air
Voltage (V)	230
Frequency (Hz)	50
Insulating class	H
Voltage stability	±10%
Frequency stability	±5%

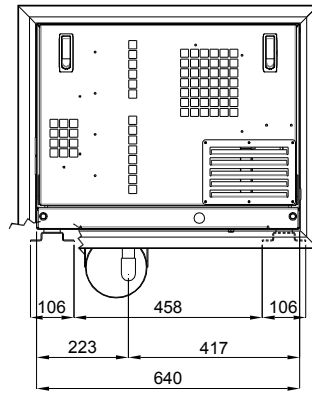
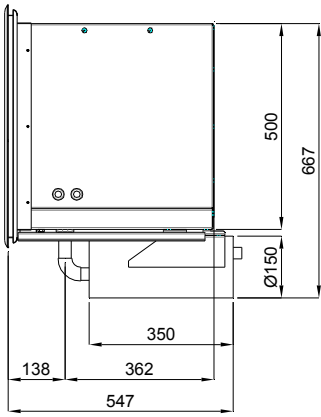
Max. power	3,2 kW
Rated power	3 kW
Power factor (cos ϕ)	1

Dimension (L x W x H)	640 x 500 x 500mm
Weight	120 Kg
Noise level	64 dBA at 7m

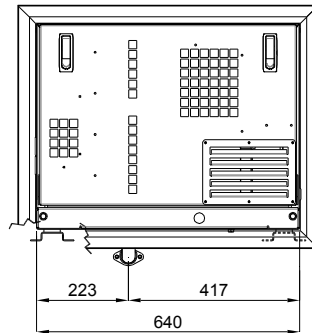
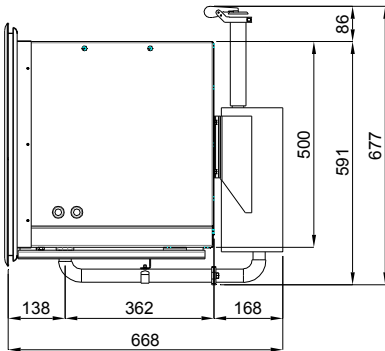
VOYAGER 4010 DM



Built-in installation

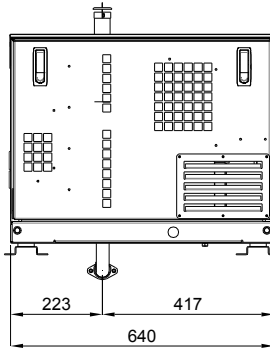
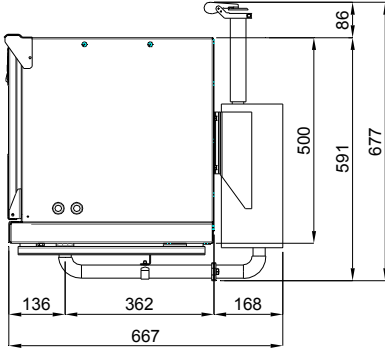


a) Bottom exhaust

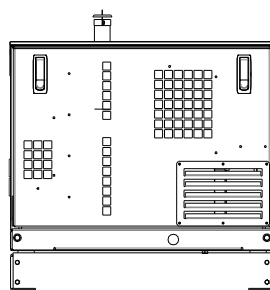
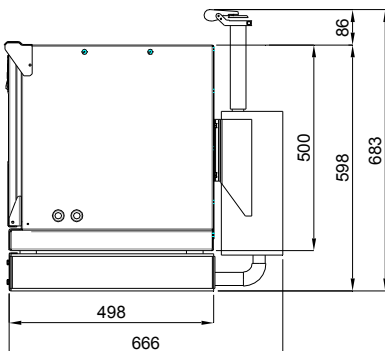


b) Rear exhaust

External installation

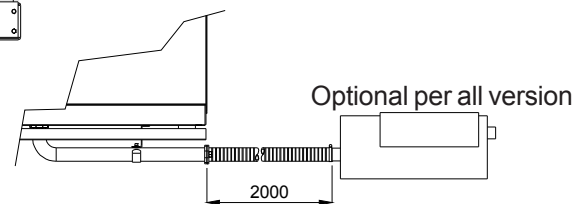


c) Rear exhaust with canopy's brackets



d) Rear exhaust with basement

Location:



mase generators S.p.A. reserves the right to change the design or specifications without notice and without any obligations or liability whatsoever. For more information, you may contact your local mase dealer.