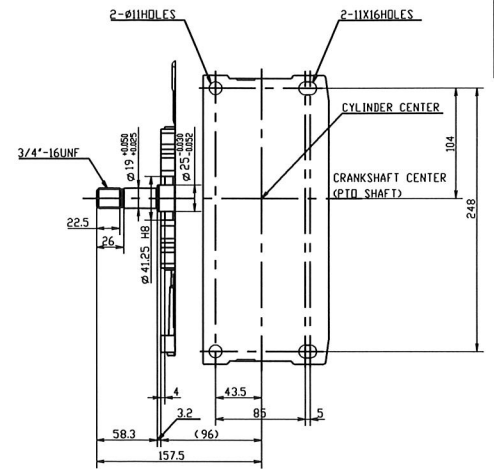
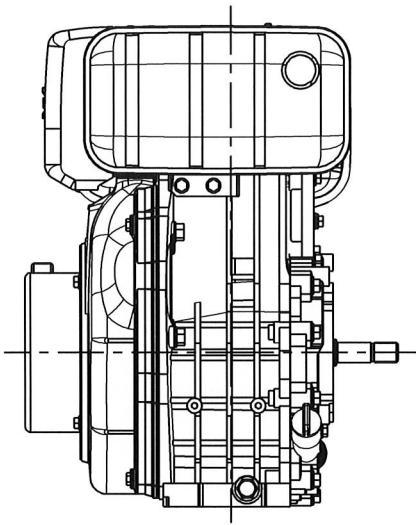
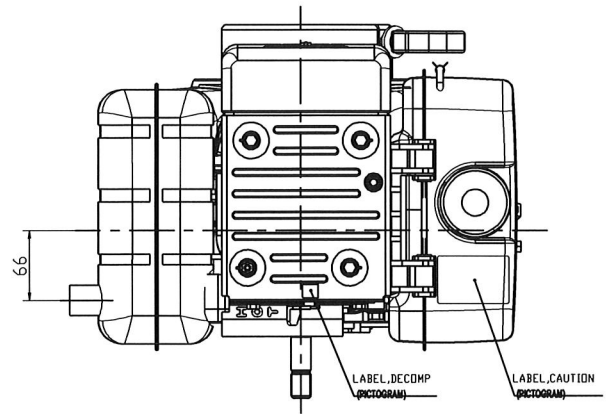
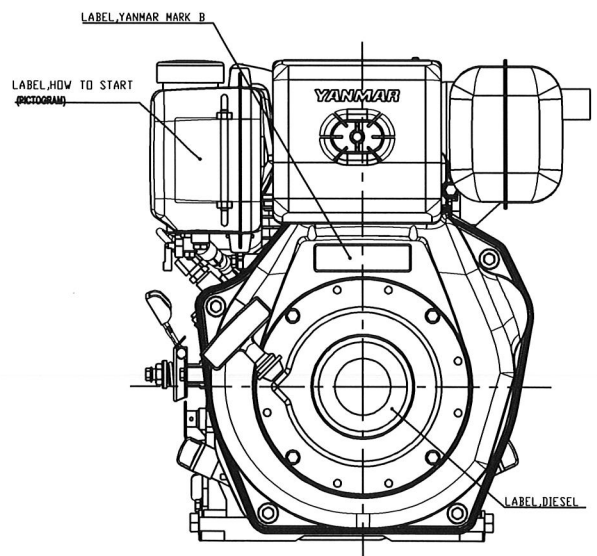
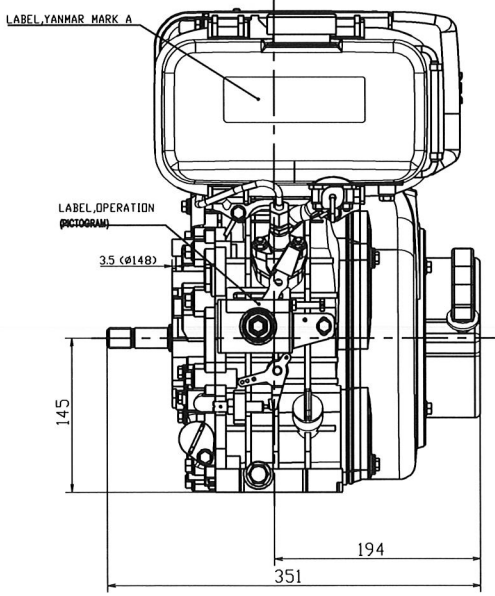
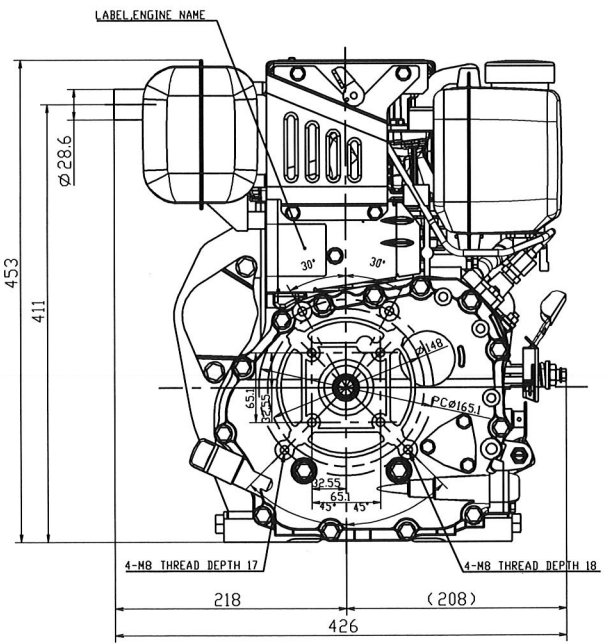


GEN. TOL.	NEED	PURCHASING SPECIFICATION	REQUEST FOR APPROVAL	DELIVERY DRAWING				INSPECTING STANDARD				QC-PROCESS											
				5 TO	10 TO	18 TO	30 TO	120 TO	250 TO	400 TO	800 TO	1600 TO	L-CHIP	0.5 TO	6 TO	100 TO	400 TO						
2/100	3/100	2/100	3/100	±1.0	±1.5	±2.0	±3.0	±1.5	±2.0	±3.0	±4.0	±1.5	±2.0	±3.0	±4.0	±1.5	±2.0	±3.0	±4.0	±1.5	±2.0	±3.0	±4.0

FIGURE DIMENSION	GT.CODE	CAREER



ENGINE MOUNTING PLATE AND PTO SHAFT  
SEEN THROUGH FROM THE TOP OF THIS ENGINE



With respect to the use of environmentally hazardous substances for the parts, the substance is used shall conform to the Environmental Hazardous Substances.

3D-CAD

NOTICE

- GENERAL
- DIMENSIONS
- FINISH
- MATERIAL
- TOLERANCE
- SURFACE TREATMENT
- COATING
- PAINT
- WELDING
- ASSEMBLY
- INSULATION
- PACKAGING
- STORAGE
- TRANSPORTATION
- MAINTENANCE
- REPAIR
- DISPOSAL

WEIGHT (RAW)	(# 2)	KG			MANAGER	SMANAGER
WEIGHT (CALC.)	(# 2)	KG				
ENGINEER	MANAGER	MODEL			SCALE	FREE
CHECKED	SPECIALIST	QTY			MATERIAL	
DESIGNED	DRAWN	DATE Y.M.D.	NAME		TITLE	
R. Hanawa	H. Ogawa	28 MAR. 2010	L70NS-PATMYI		OUTLINE	
			CODE	B2-14820-0260	REV.	A1
POWER SYSTEM OPERATIONS DIV., YANMAR CO., LTD.						