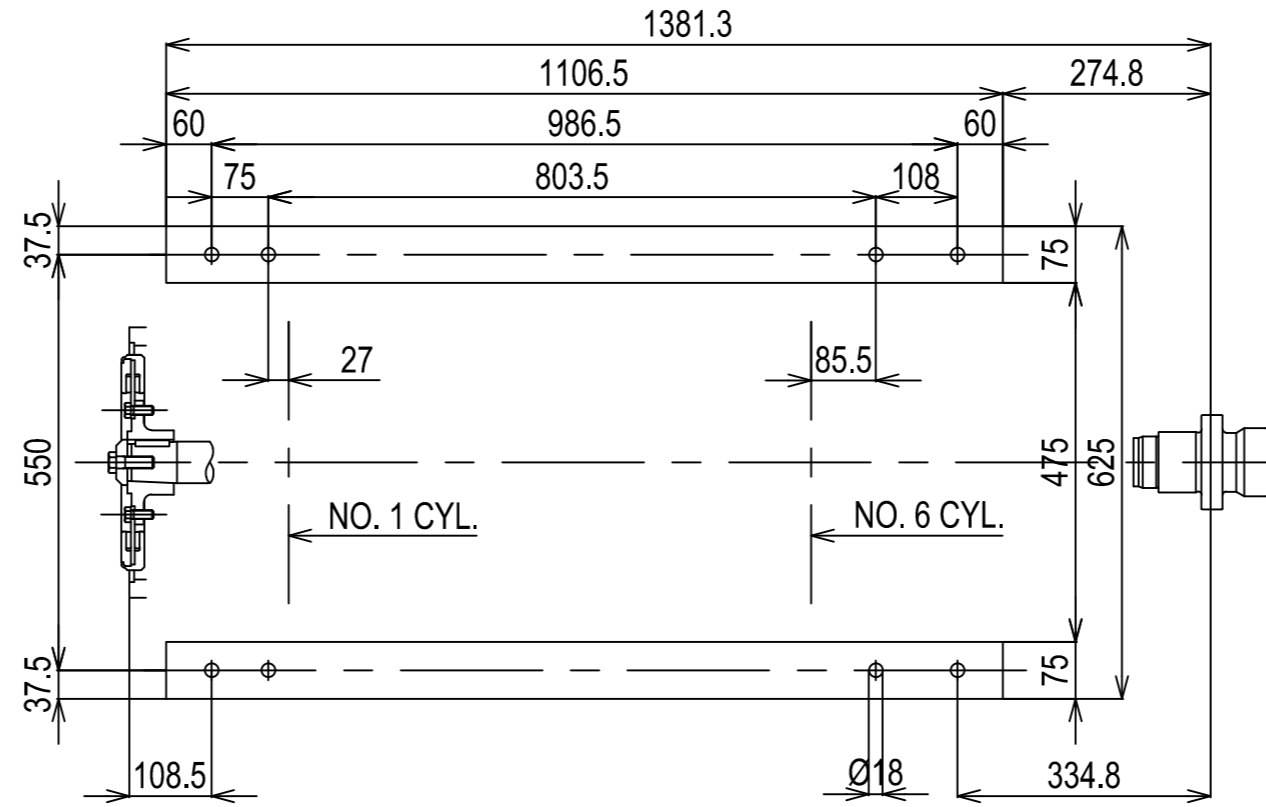
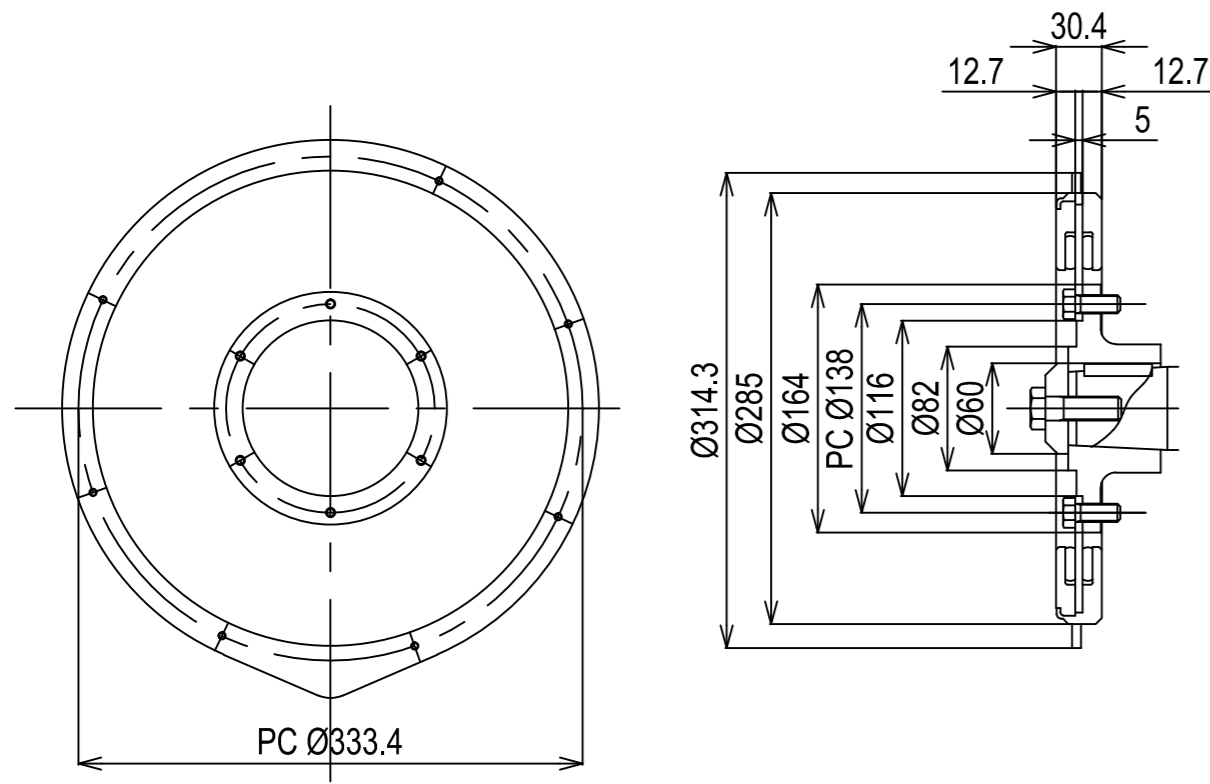
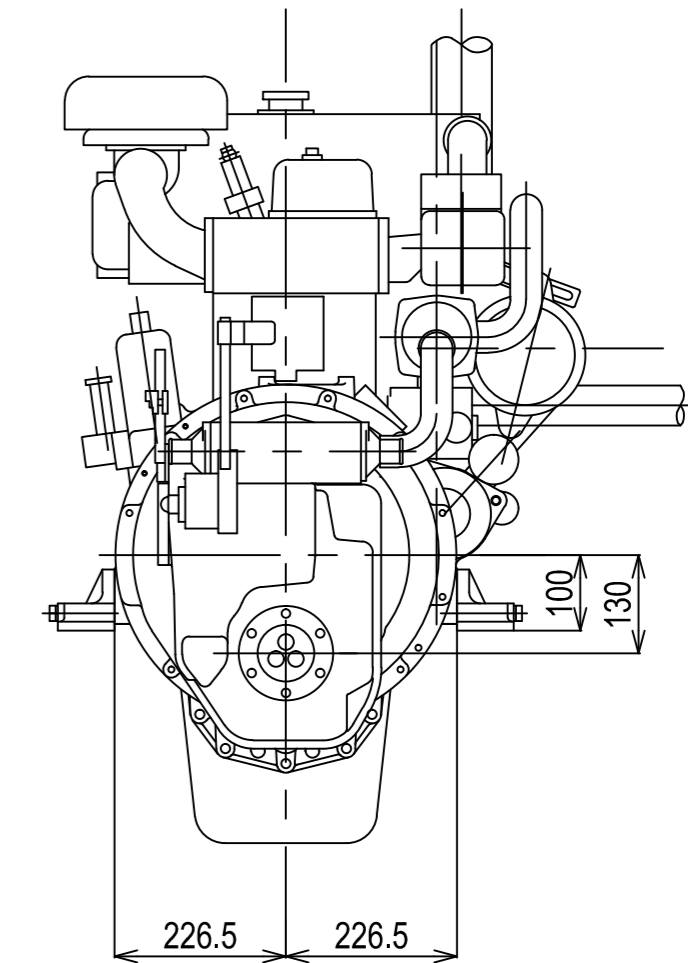
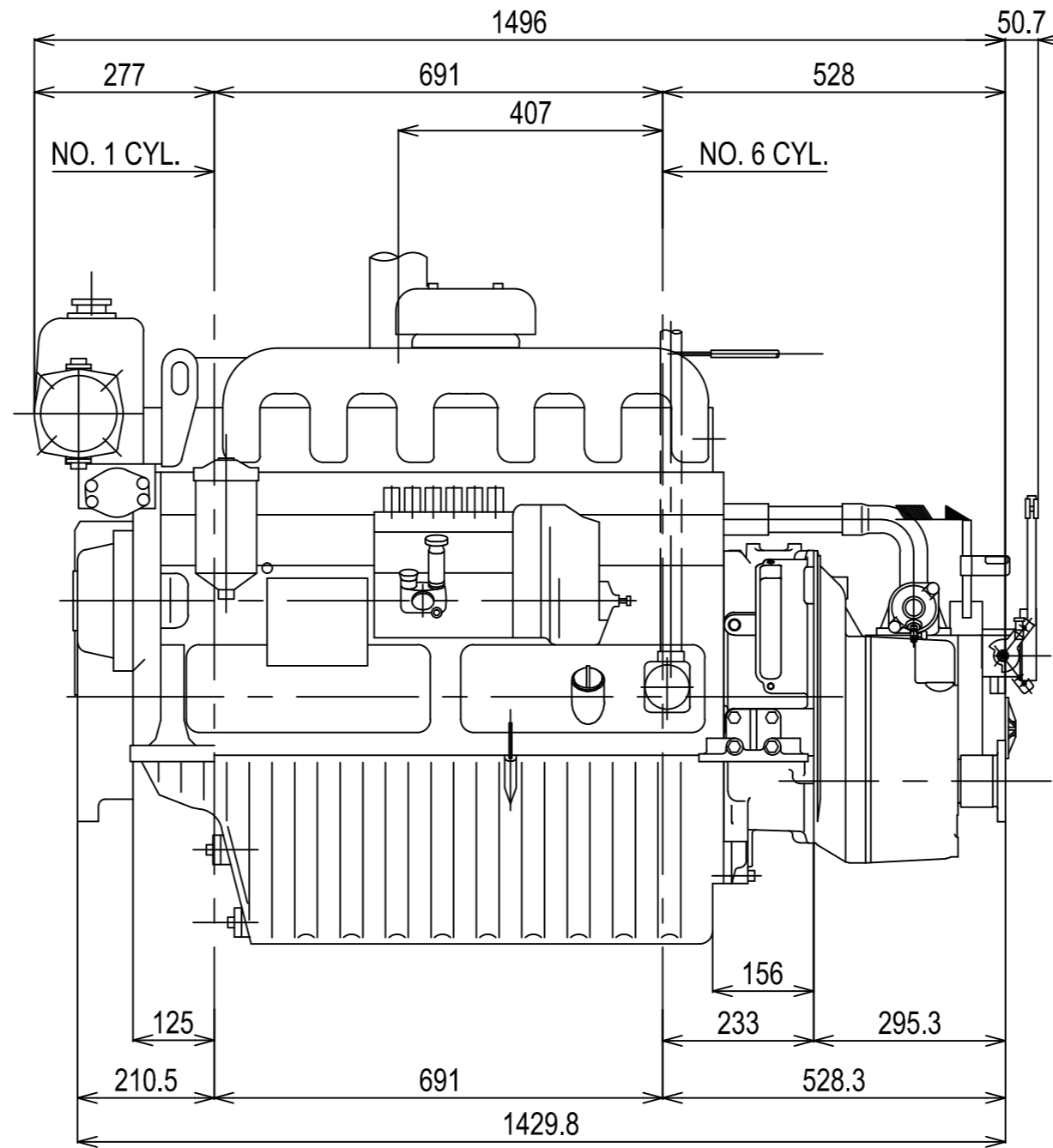
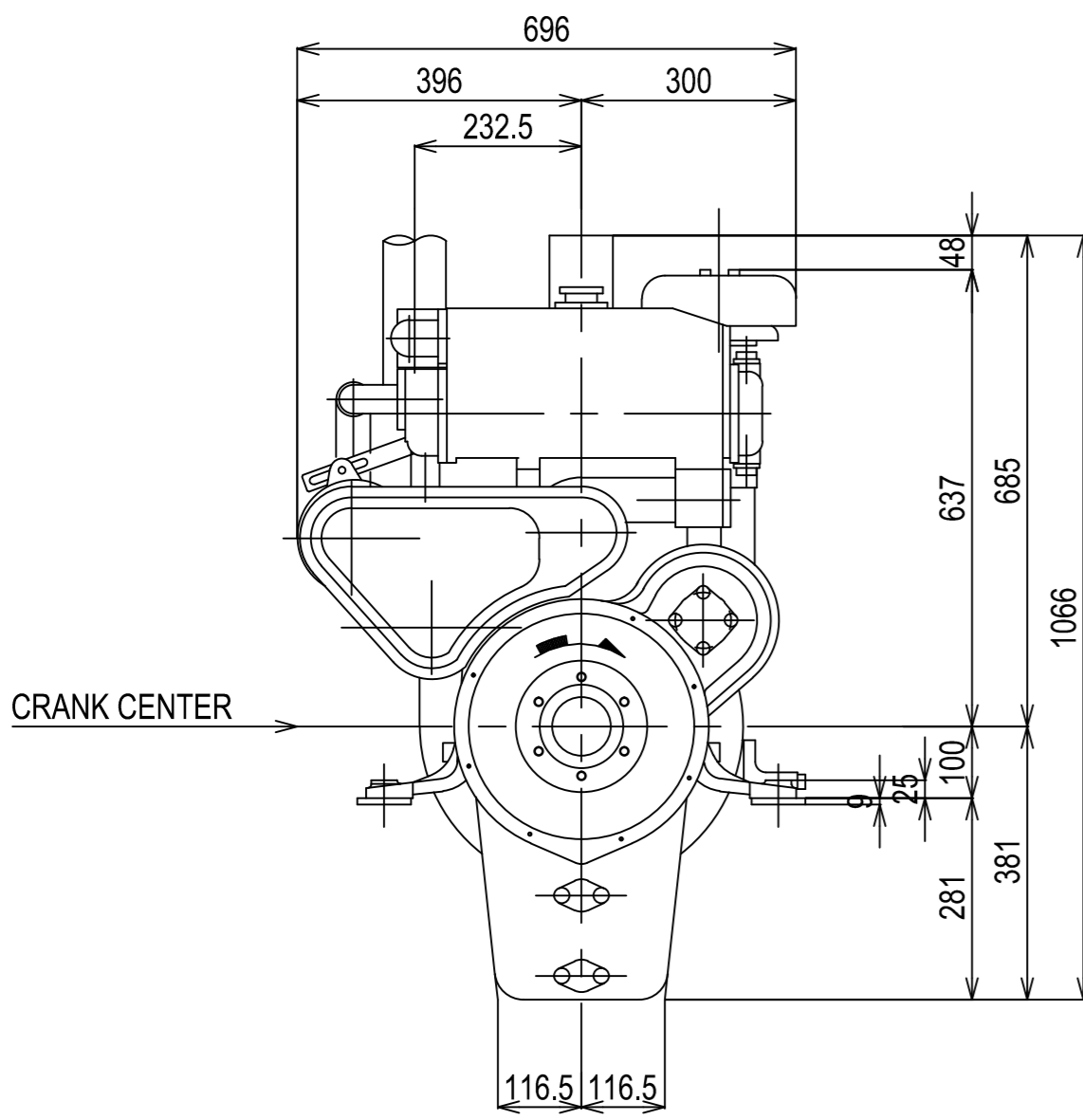
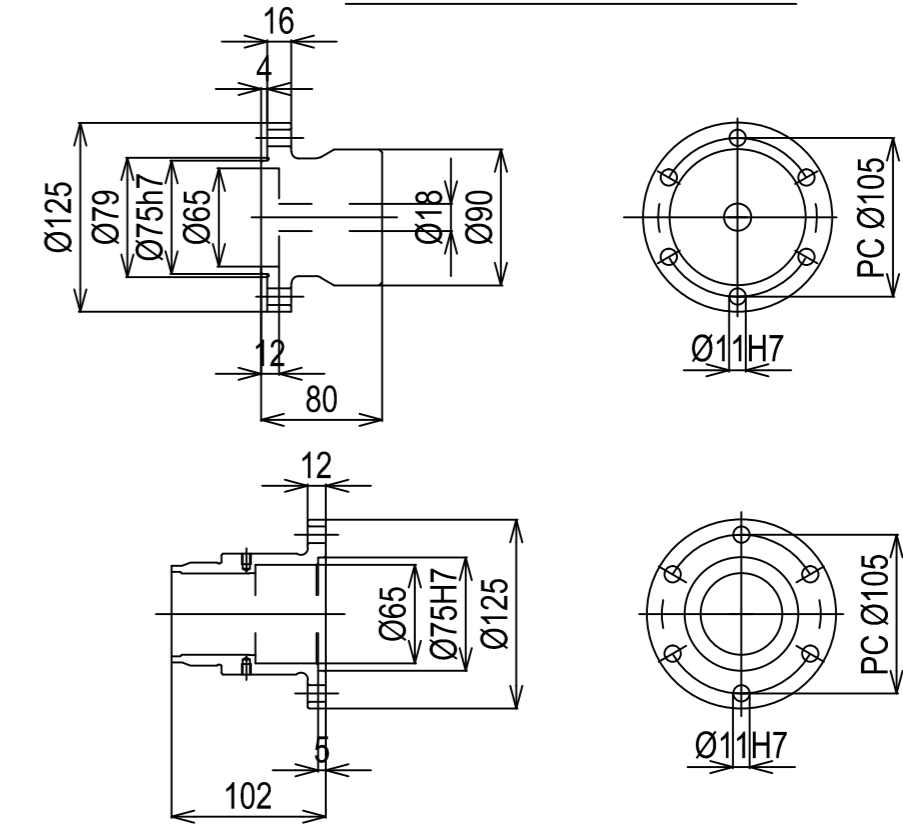


DETAIL OF FLYWHEEL



DETAIL OF COUPLING



Series: 6CH3	Engine: 6CHE3xYX-30-2	Release: R2011-1
Scale: 1:10 (1:5)	Date: 01-01-2011	Dimensions: mm

