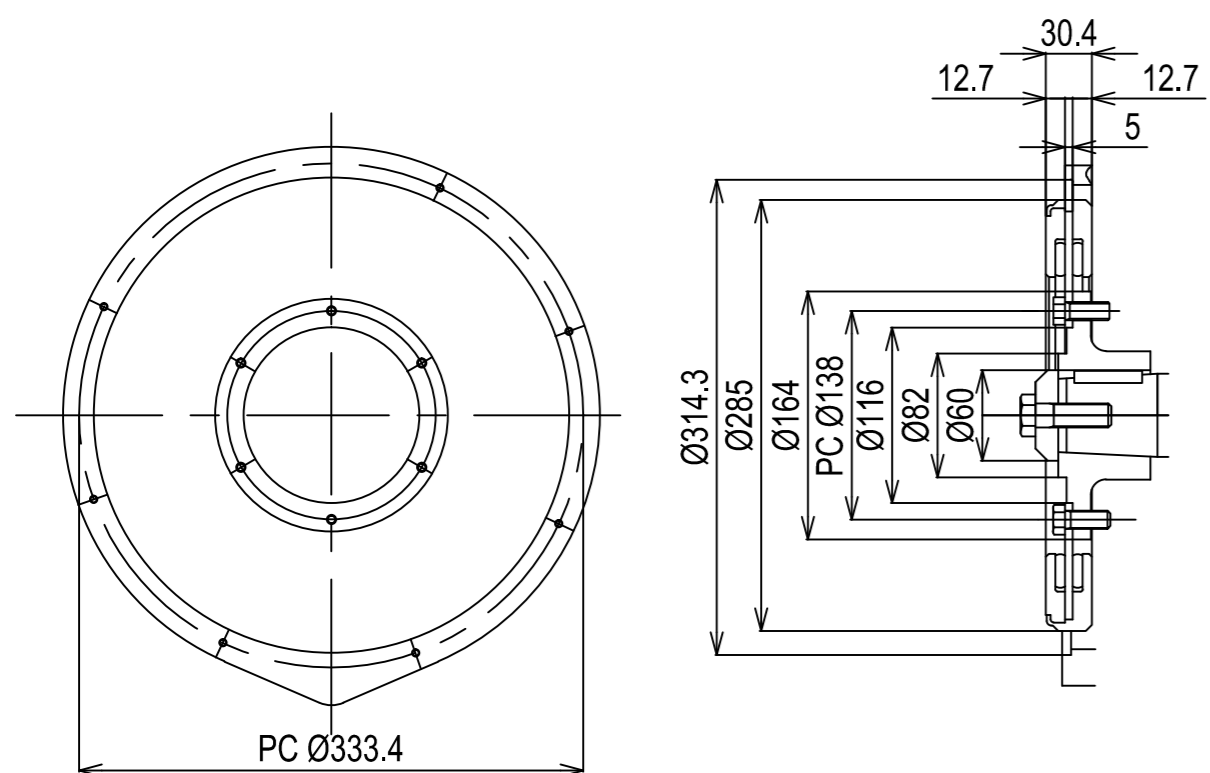
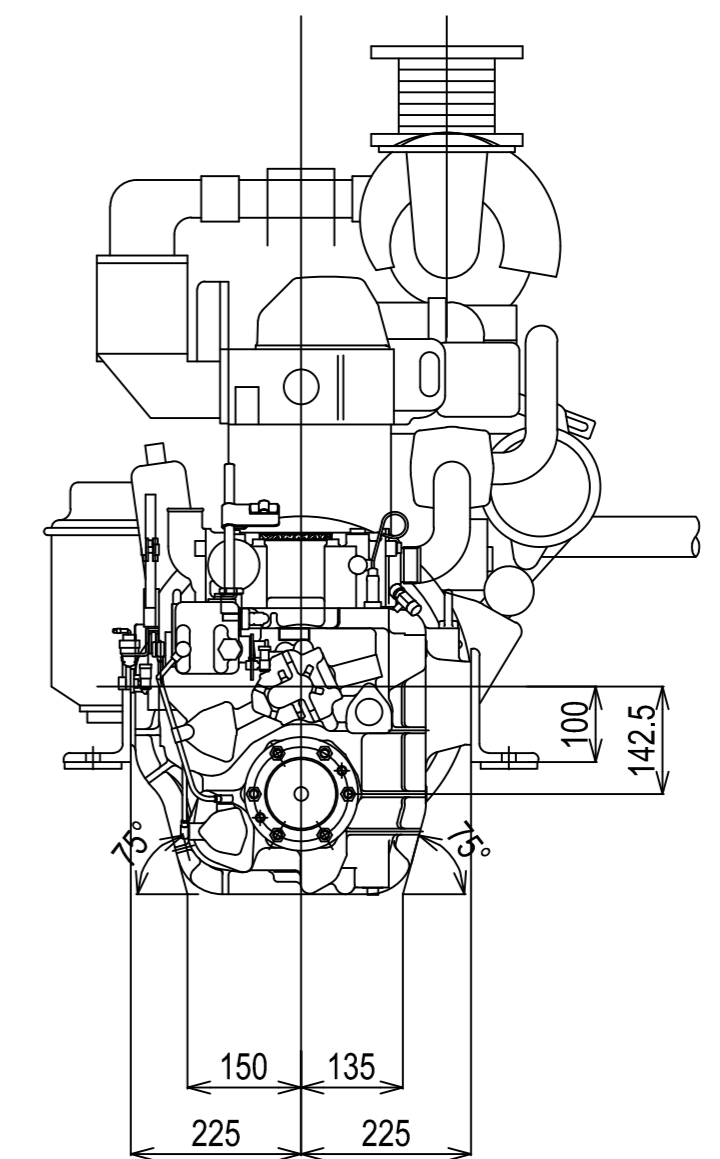
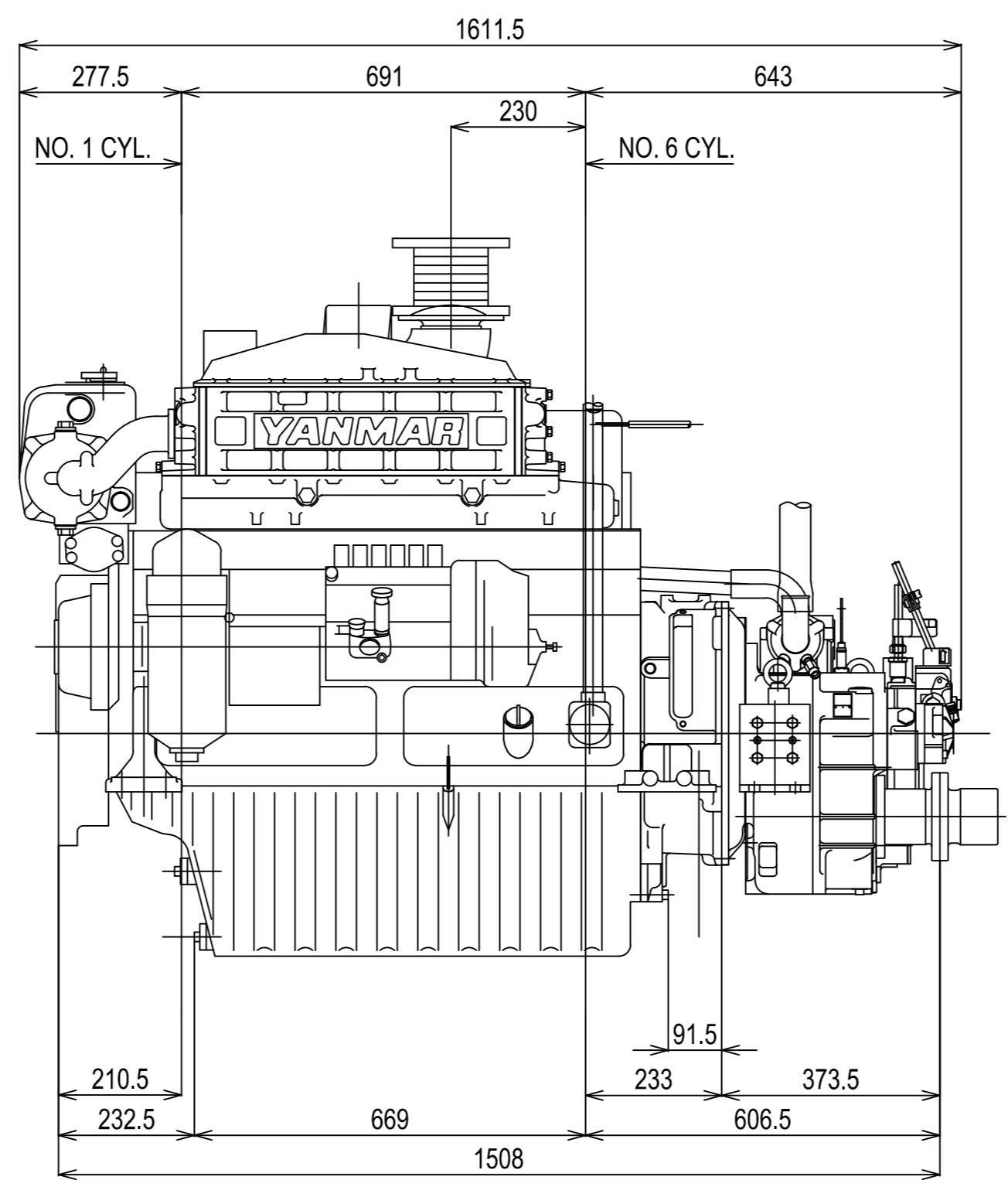
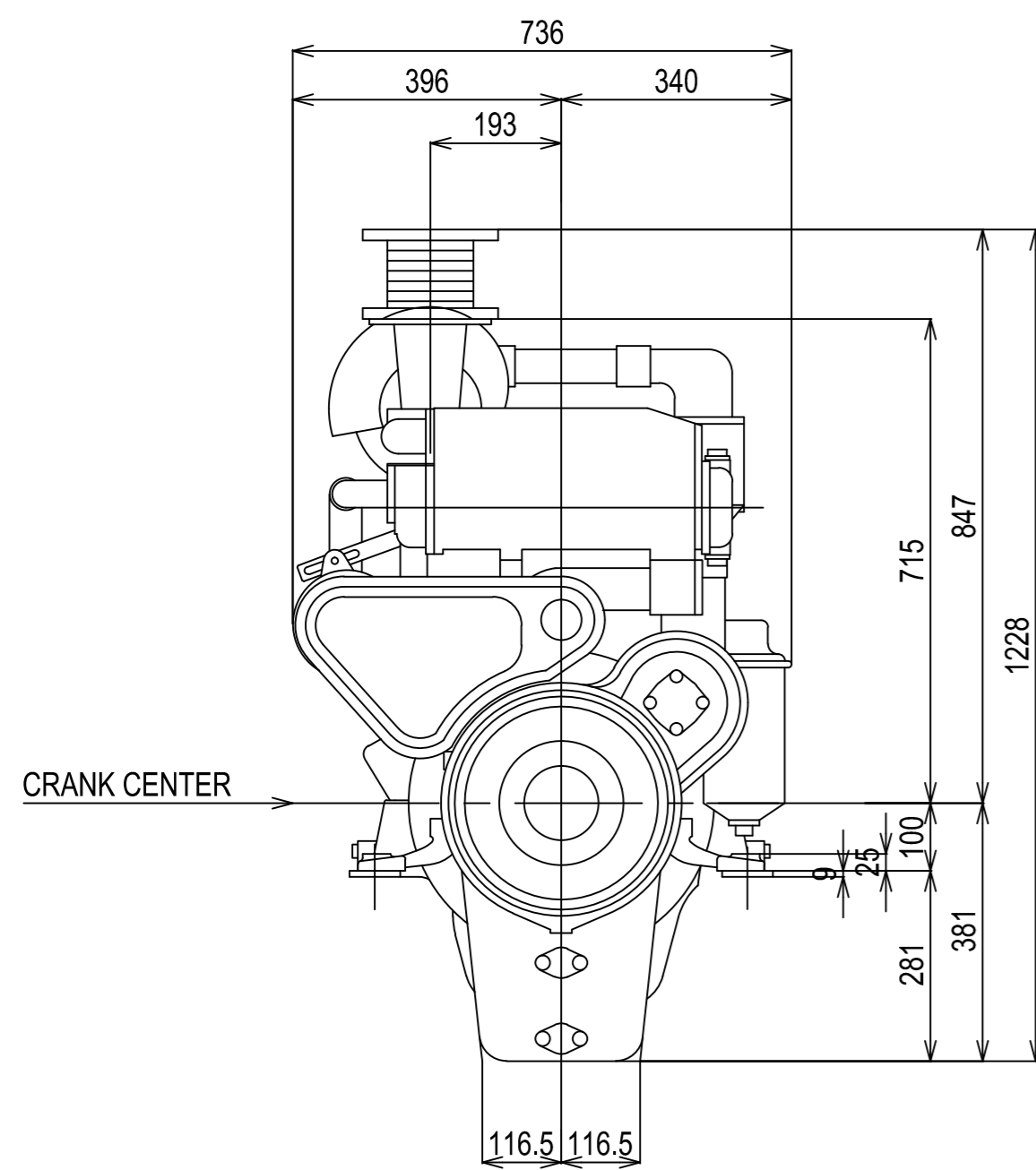
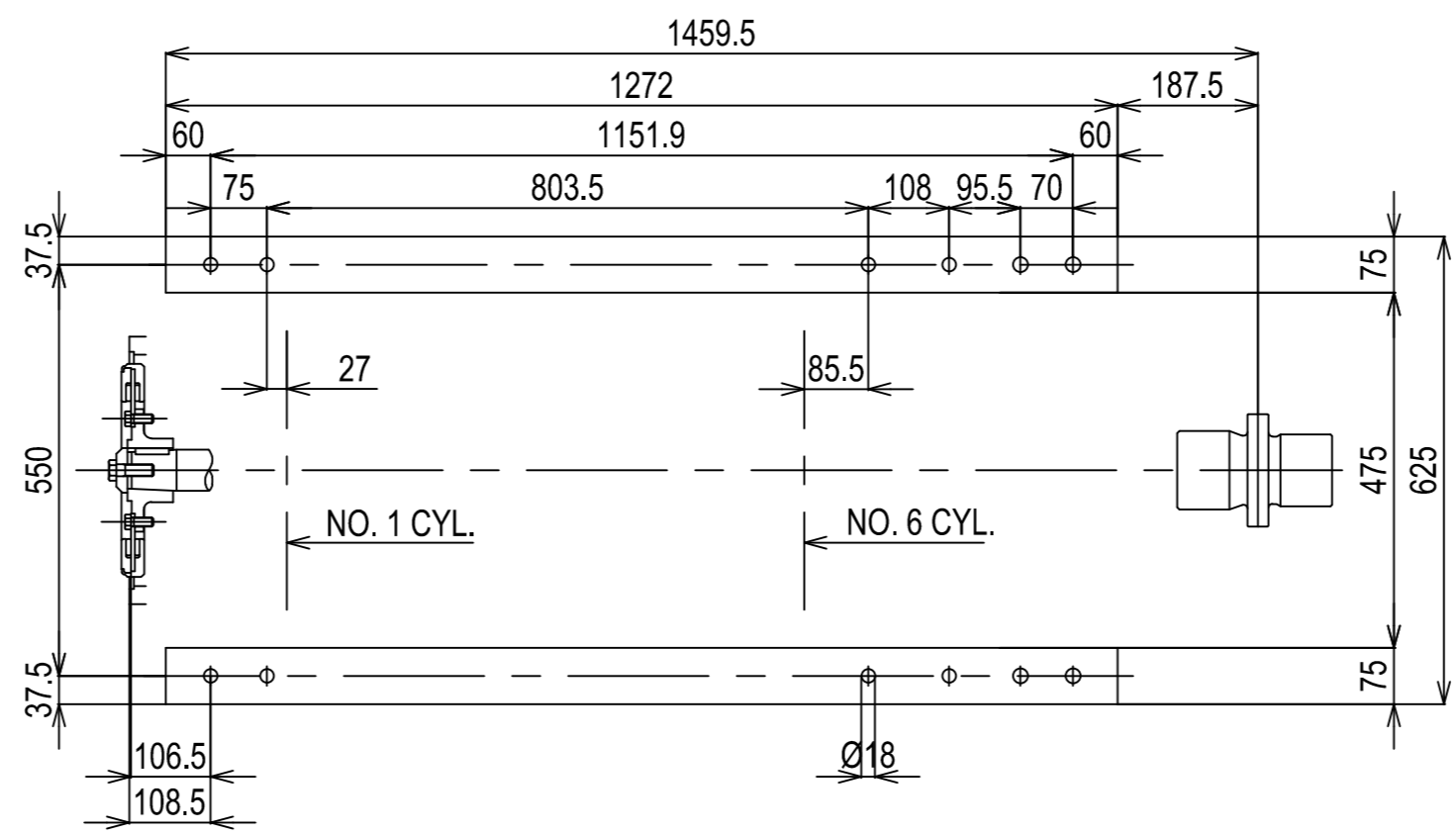
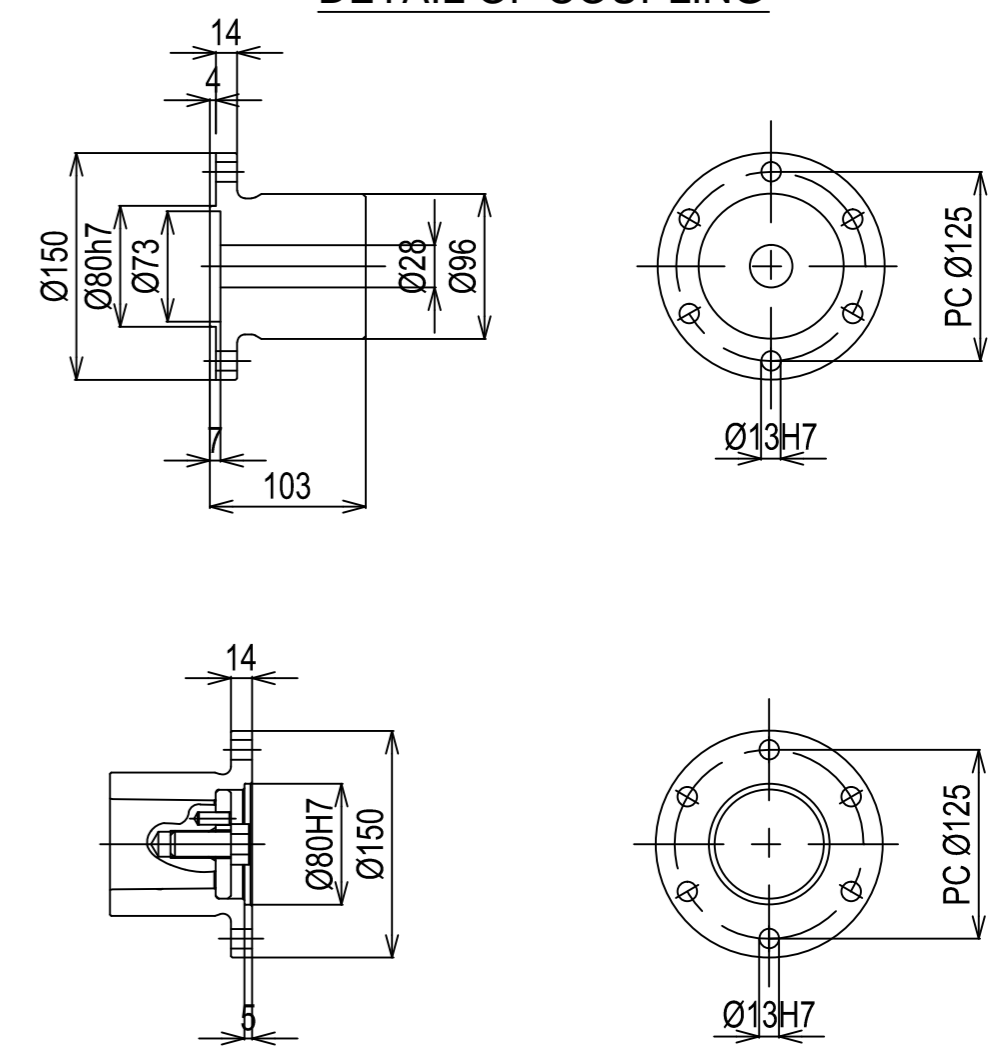


DETAIL OF FLYWHEEL



DETAIL OF COUPLING



| | | |
|-------------------|-------------------------|------------------|
| Series: 6CH3 | Engine: 6CH-HTE3xYX-50S | Release: R2011-1 |
| Scale: 1:10 (1:5) | Date: 01-01-2011 | Dimensions: mm |

