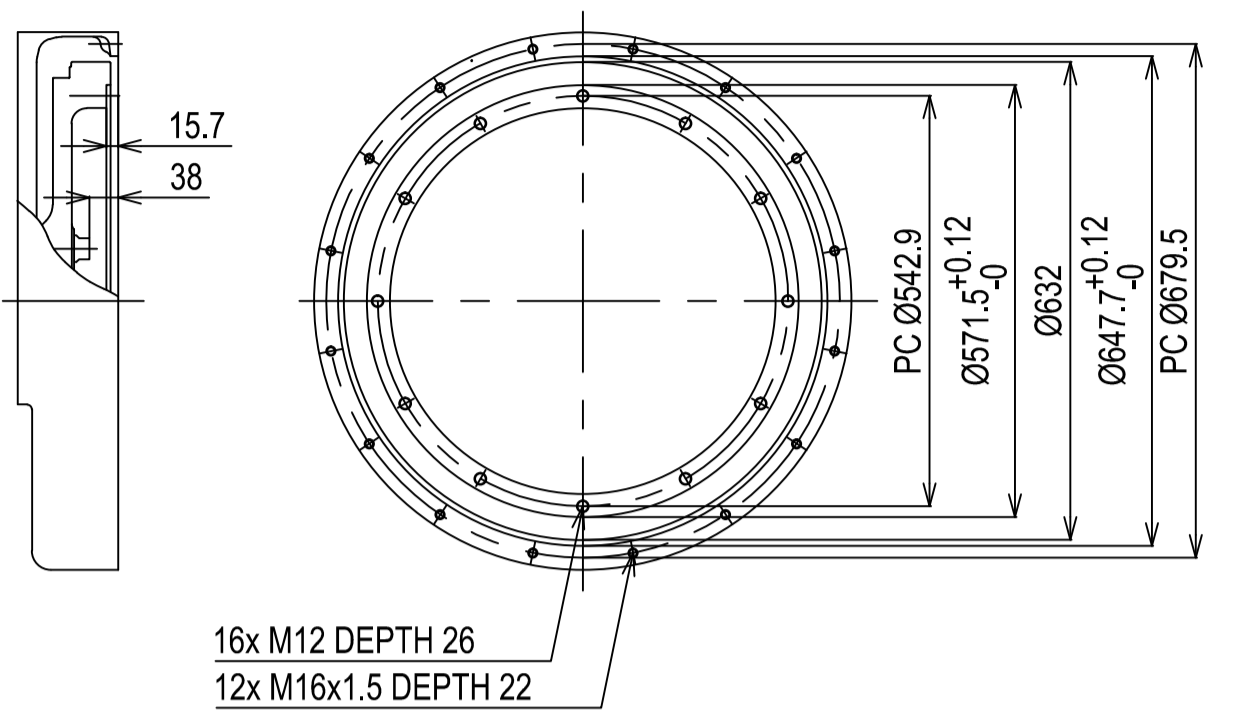
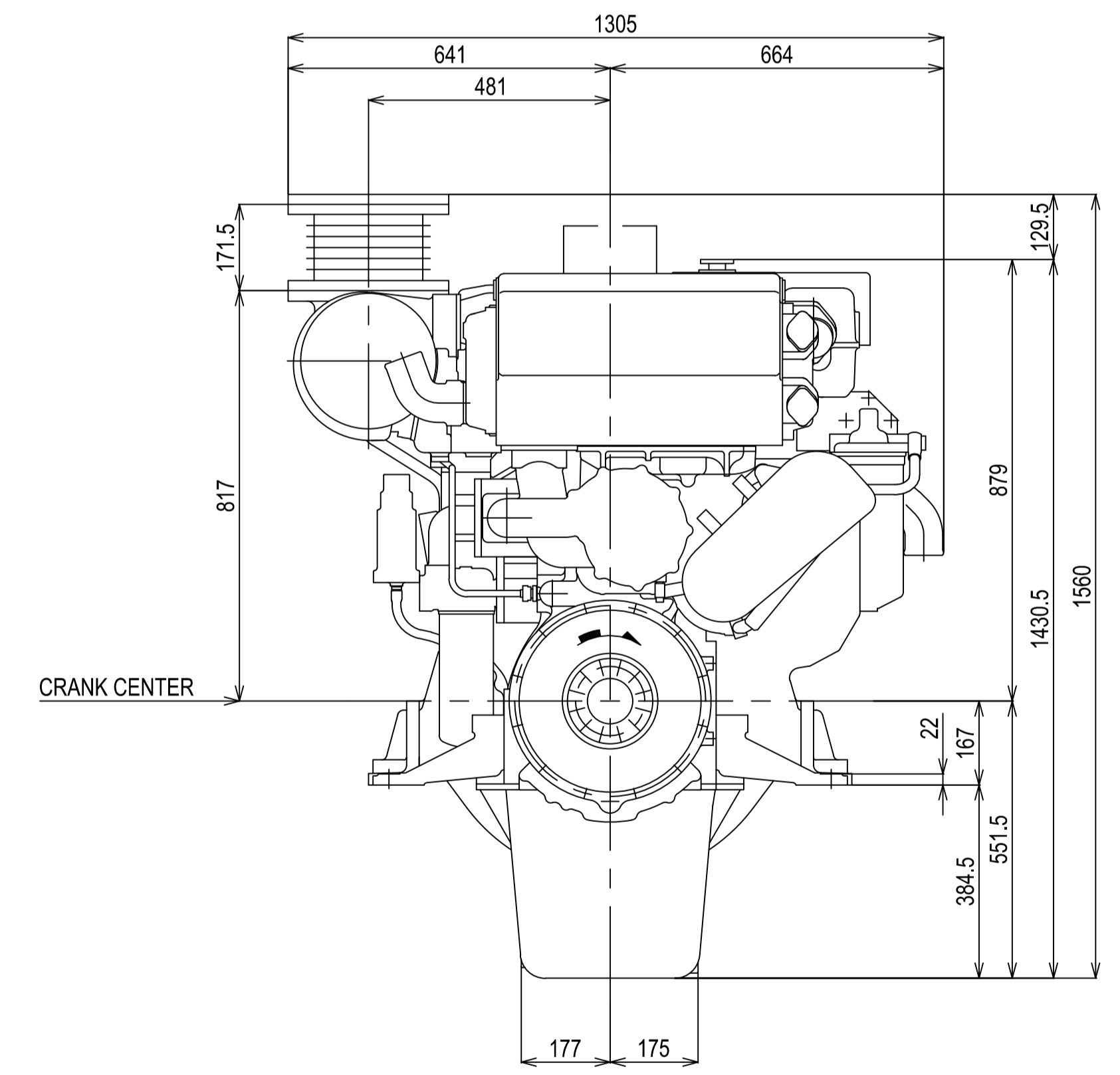
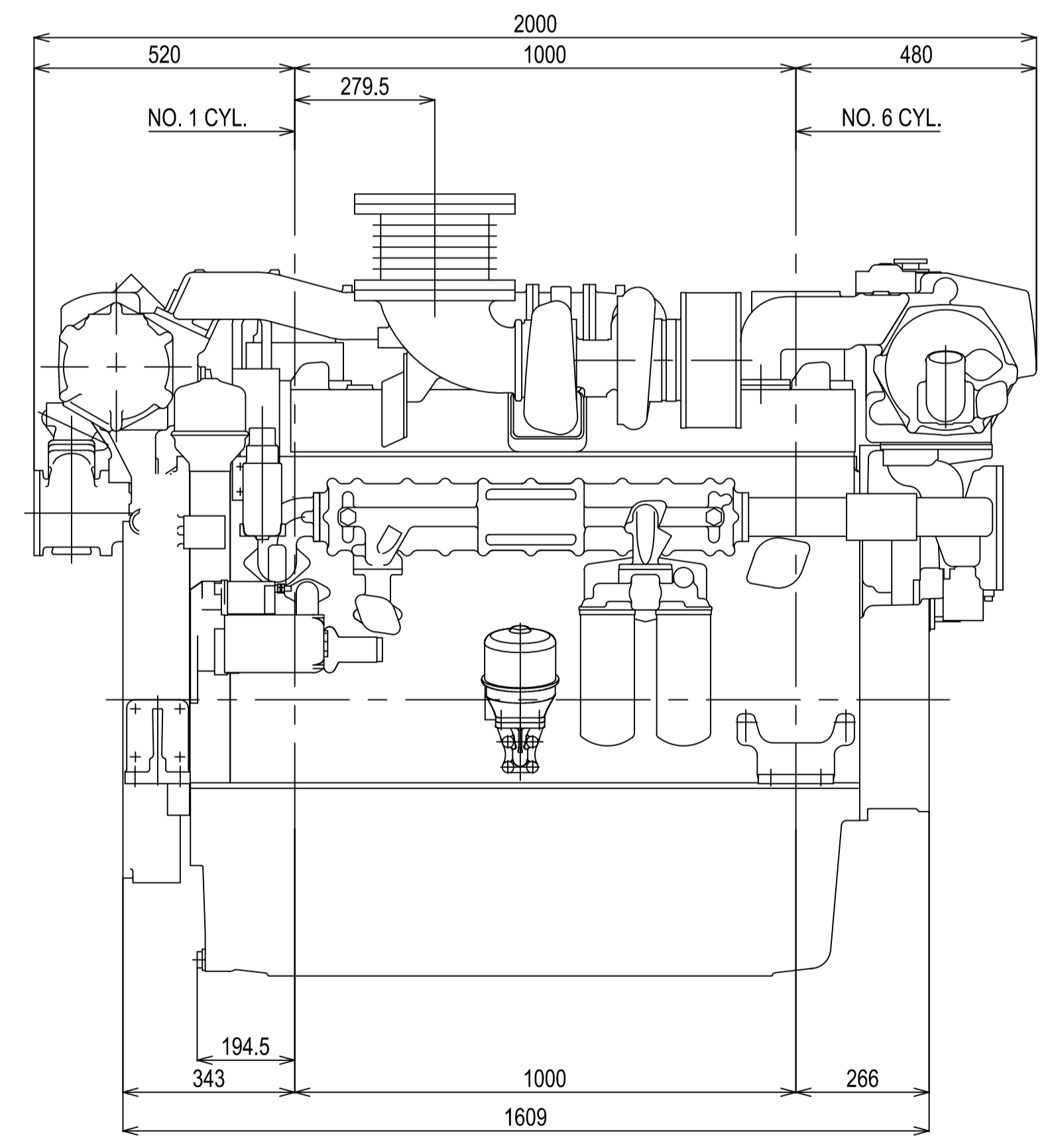
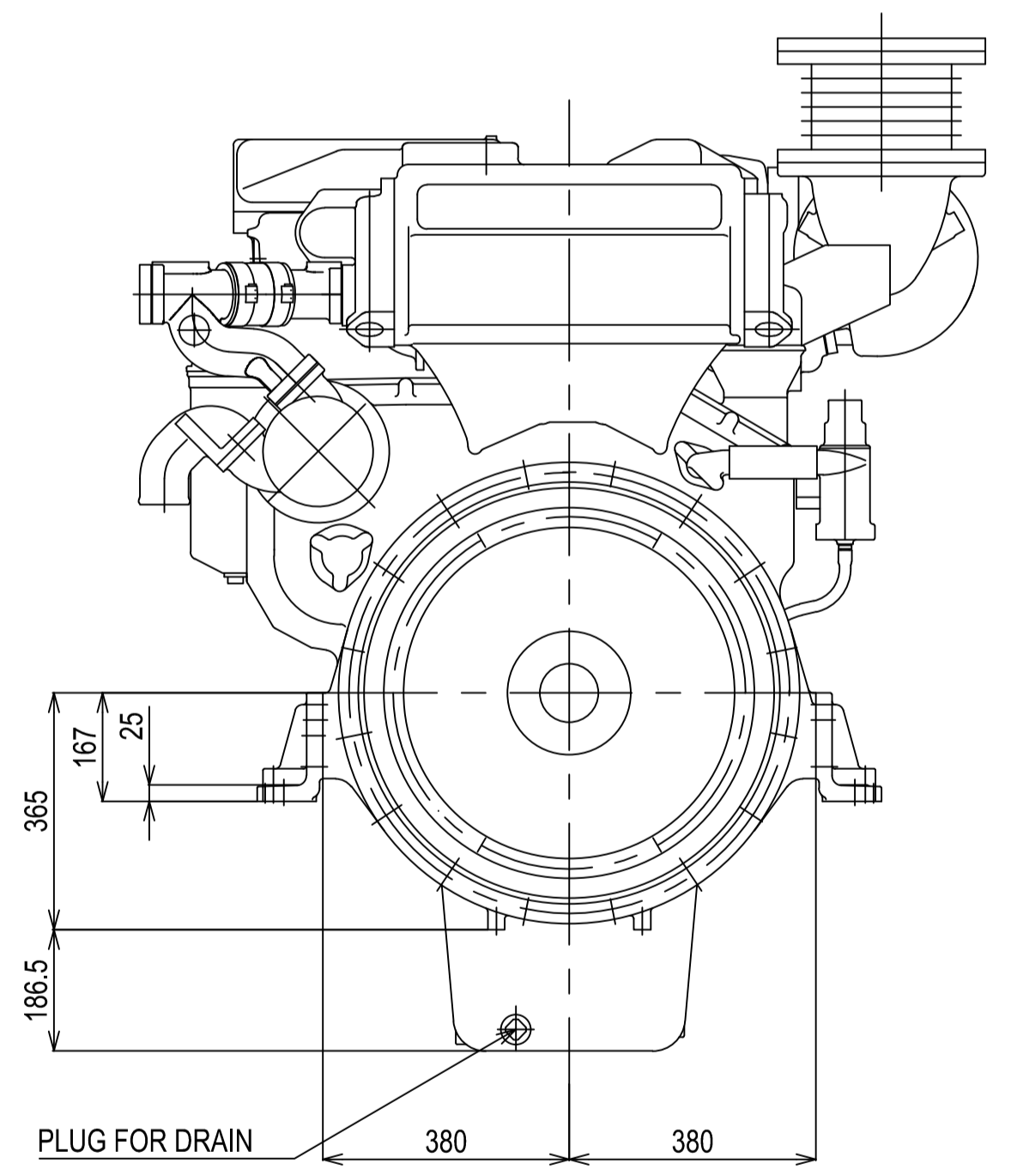
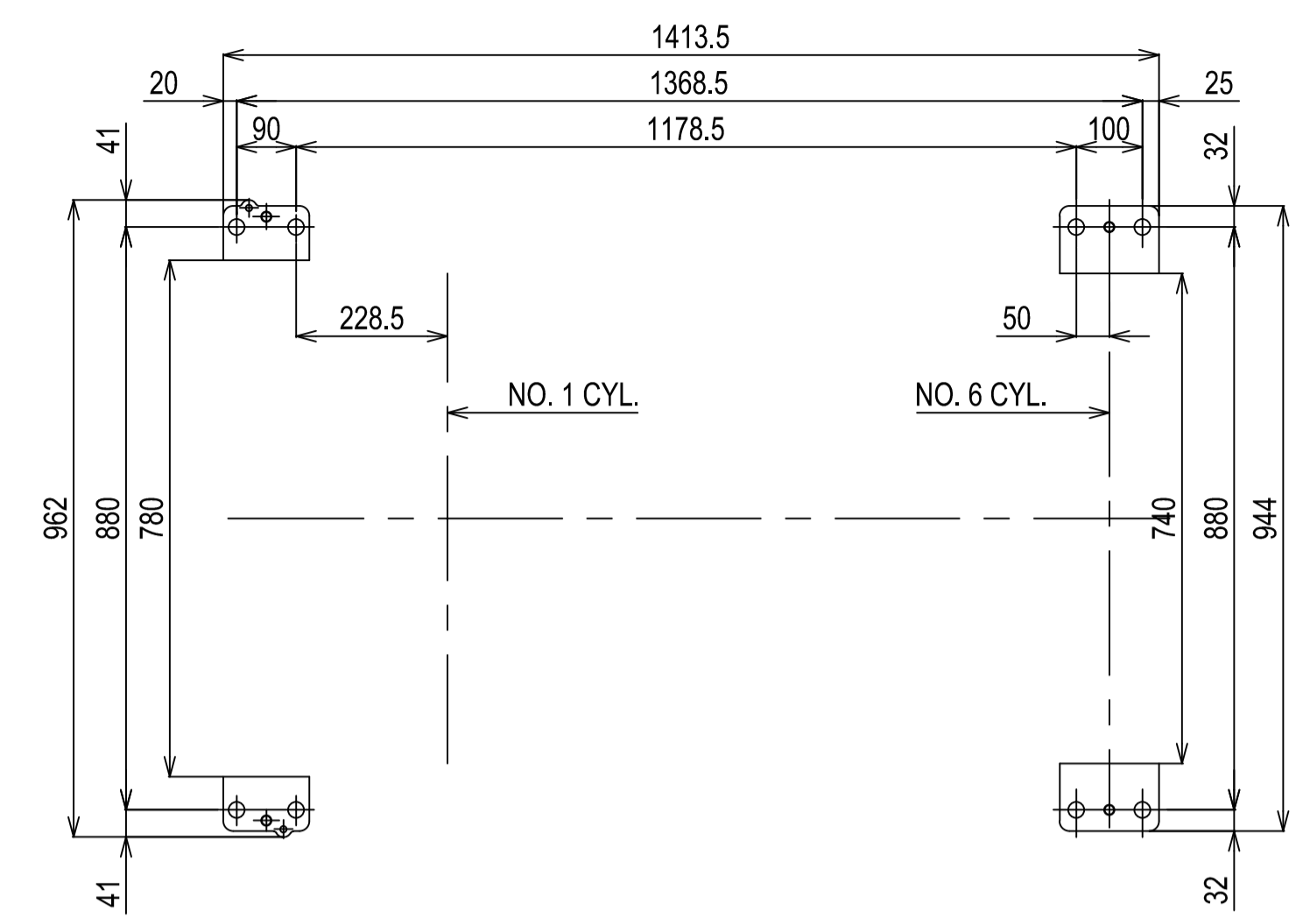
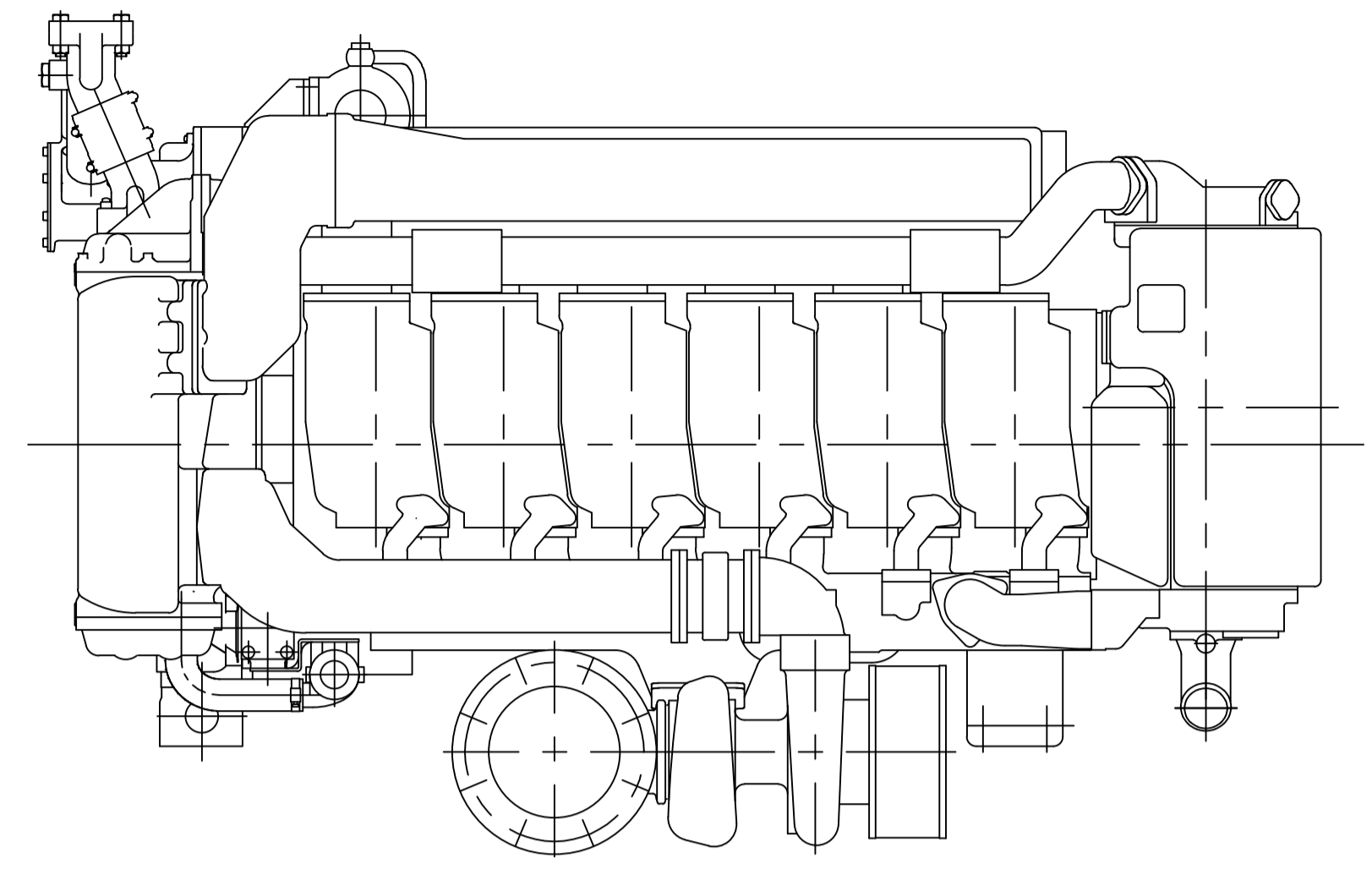


**DETAIL OF FLYWHEEL**



Flywheel housing & Flywheel : SAE #0 & #18



**DETAIL OF MOUNTING BLOCK**

