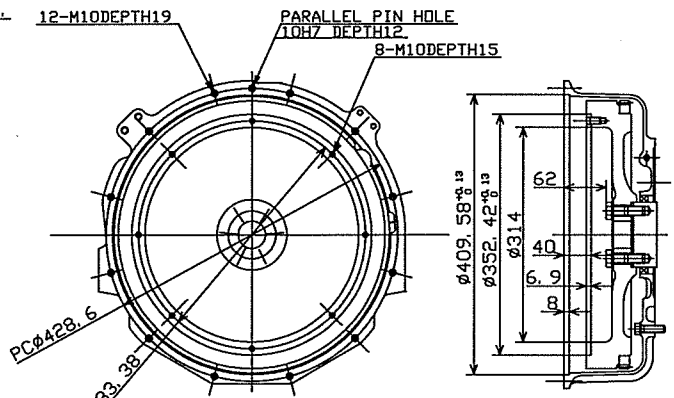
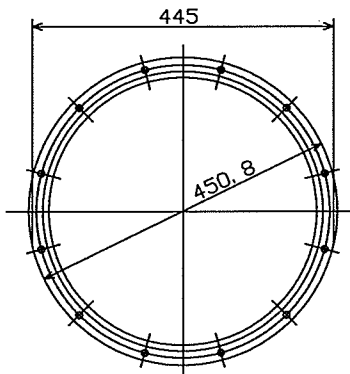


? 0 77777 77777 7777777 777777 7777777777

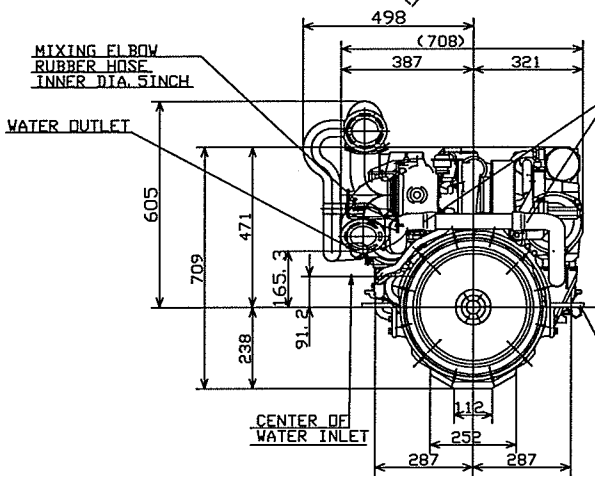
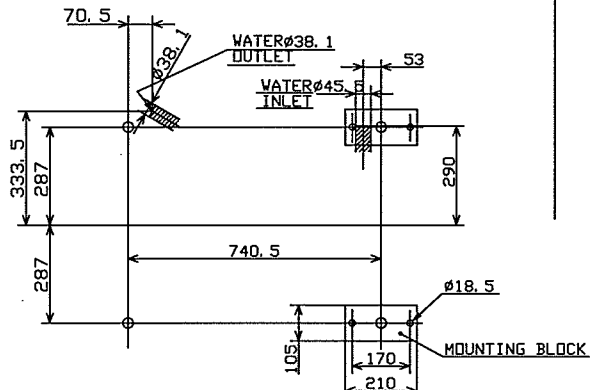
GT.CODEM CAREER

6LY2A-STP777777777777777777

NOTICE
THE MOUNTING FLANGE WIDTH
OF TRANSMISSION SHOULD BE 445.



DETAIL OF FLYWHEEL OUTPUT SIDE(1/5)



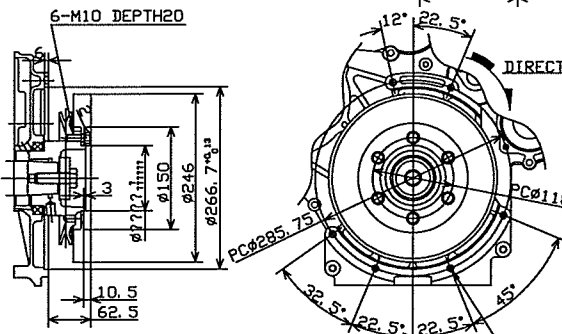
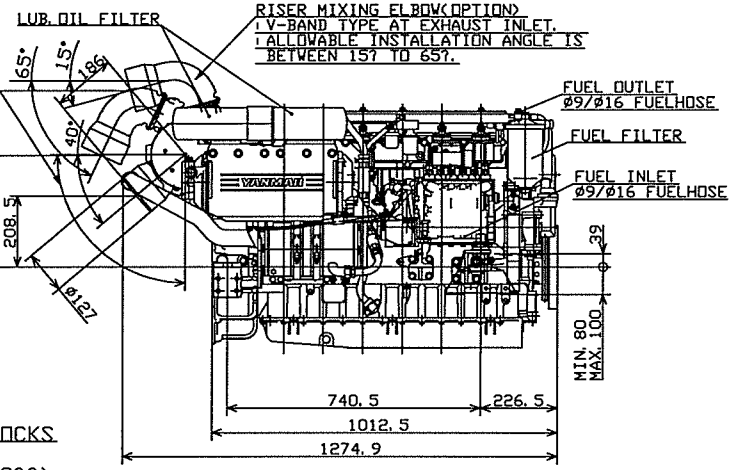
MIXING ELBOW
I-V-BAND TYPE AT EXHAUST INLET.
ALLOWABLE INSTALLATION ANGLE
BETWEEN 0° TO 90° DEGREE.

THESE RUBBER HOSES SHOULD
BE CONNECTED TO THE OILCOOLER
OF MARINE GEAR.
WATER PASSAGE AREA IS
OVER 12.5777.

DIRECTION OF ROTATION

MOUNTING BRACKETS(REAR SIDE)
SHOULD BE USED ONLY FOR
TRANSPORTATION.

NOTE
DWG. SHOWS MOUNTING BLOCKS
AT COMPRESSED HEIGHT.
(COMPRESSED BY APPROX 3??)



DETAIL OF FRONT COUPLING(1/5)

SPECIFICATIONS		
MODEL	6LY2M-STE	6LY2A-STP
CONT. RATING OUTPUT (FLYWHEEL OUTPUT)	HP/??? 350/3100	350/3100
MAX OUTPUT (FLYWHEEL OUTPUT)	HP/??? 420/3300	440/3300
NUMBER OF CYLINDER	6	
DRY WEIGHT	kg 535	
DIRECTION OF CRANK, SHAFT ROTATION	COUNTER CLOCKWISE AT FLYWHEEL SIDE	

WEIGHT(RAW)	(?)	HYDRAULIC TEST	K	???	???	???	???
WEIGHT(???)	(?)	PNEUMATIC TEST	K	???	???	???	???
DESIGNED	S. Reichen	SEC. MANAGER	S. Reichen	MODEL	6LY2M-STE	SCALE	1/10 (1/5)
DRAWN	S. Reichen	SPECIALIST		QTY.	1	MATERIAL	
DATE	2001 4.18	NAME	6LY2M-STE/6LY2A-STP OUTLINE				
			OUTLINE				
			CODE B2-19575-0401				