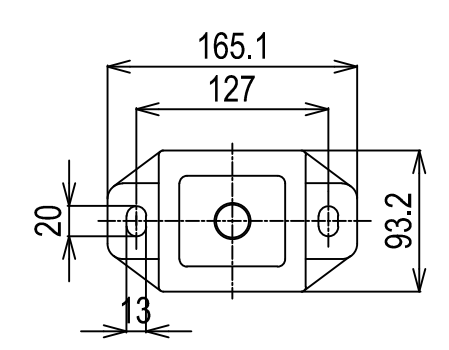
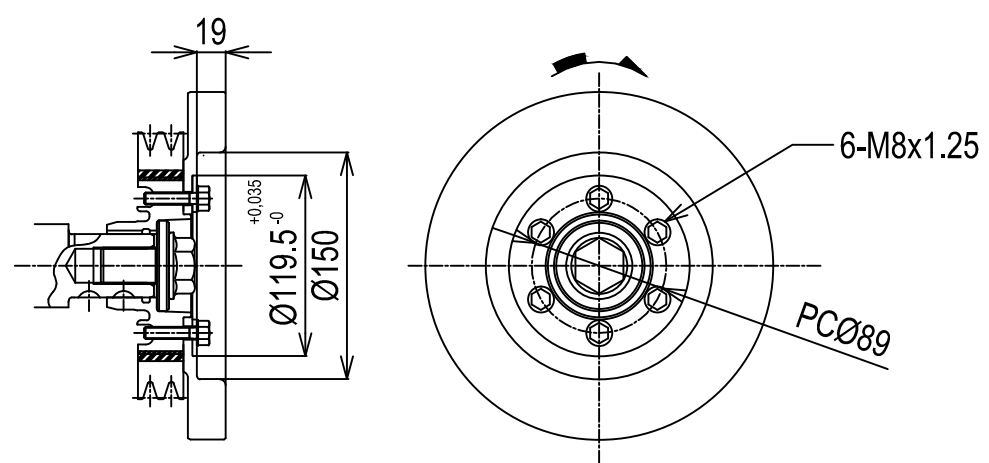


DETAIL OF MOUNTING BLOCK



DIRECTION OF ROTATION



DETAIL OF PULLEY VIEWED FROM A

NOTE:

1. INNER AND OUTER TRANSOM SURFACE MUST BE PARALLEL WITHIN 3MM IN AREA OF COVERED BY TRANSOM PLATES AND REMAIN WITHIN TRANSOM THICKNESS LIMITS.
2. AREA COVERED BY GIMBAL HOUSING ASSEMBLY MUST BE FLAT TO WITHIN 1.6MM
3. AREA COVERED BY INNER TRANSOM PLATE MUST BE FLAT TO WITHIN 3.2MM
4. TRANSOM ANGLE : 13° to 16°
5. DWG. SHOWS MOUNTING BLOCKS AT COMPRESSED HEIGHT FRONT: COMPRESSED BY APPROX. 4MM HEIGHT REAR: COMPRESSED BY APPROX. 0.6MM
6. ● SHOWS THE CENTER OF GRAVITY.
7. FOR ADDITIONAL INSTALLATION INFORMATION AND SPECIFICATIONS PLEASE REFER TO THE YANMAR ENGINE INSTALLATION MANUAL

Engine:	6LPA-STZP2_BRAVO1	Release:	14-03-2007
Scale:	1:10	Date:	01-04-2013
		Dimensions:	mm

