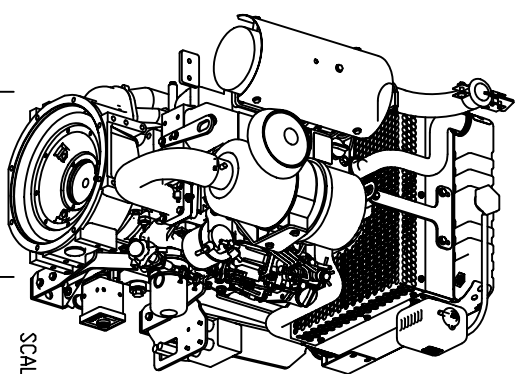
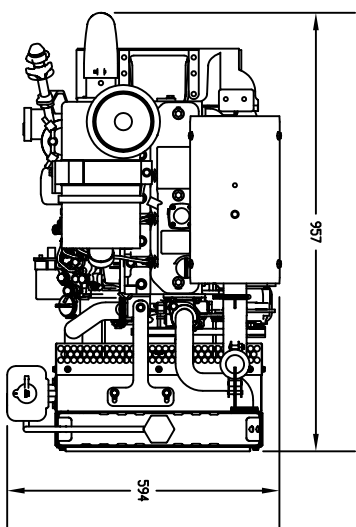
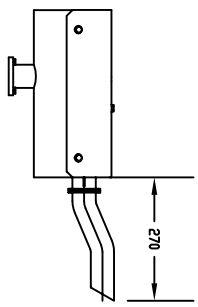
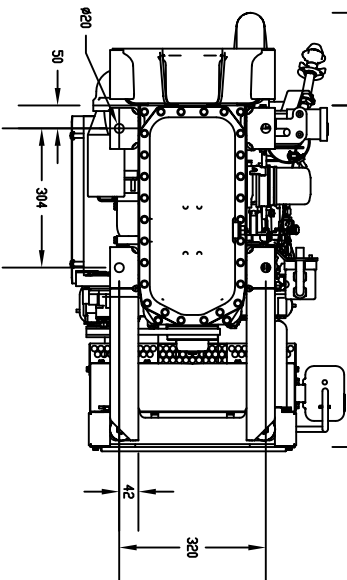
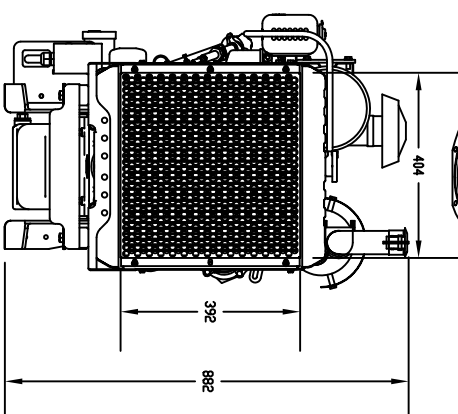
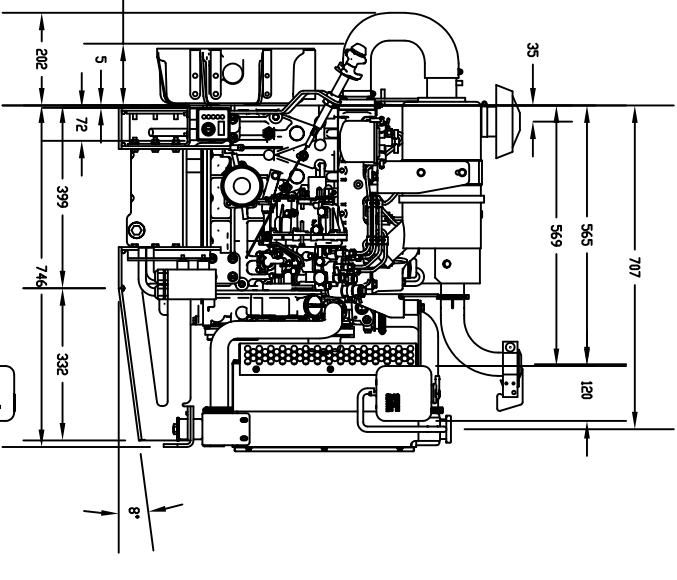
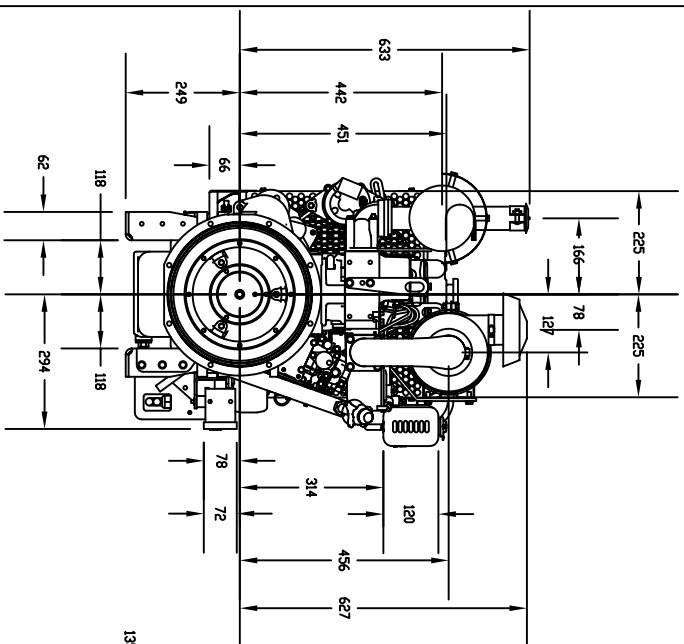


NOTES:

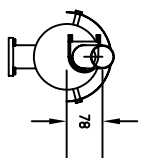
1. measurements are taken from the cylinder block rear and the crankshaft
2. dimensions for the upgraded control panel are larger than the panel in the model
3. the flywheel housing will be different based upon the spec design of the engine



SCALE 0.125



SCALE 0.125



PART NAME		OUTLINE DRAWING		PART CODE		4TNV88-KIT	
YANMAR CO., LTD. YANMAR PAPERWORK CORP				DRAWN			
CHECKED				DESIGN/INAV			
SPECIALIST				SPECIALIST			
MODEL				MODEL			
QTY				QTY			