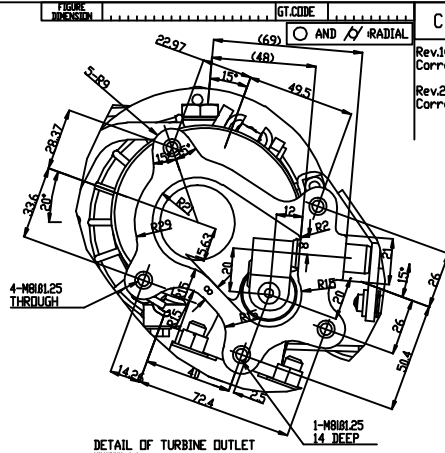
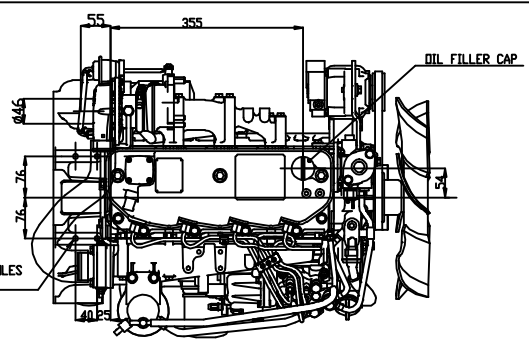
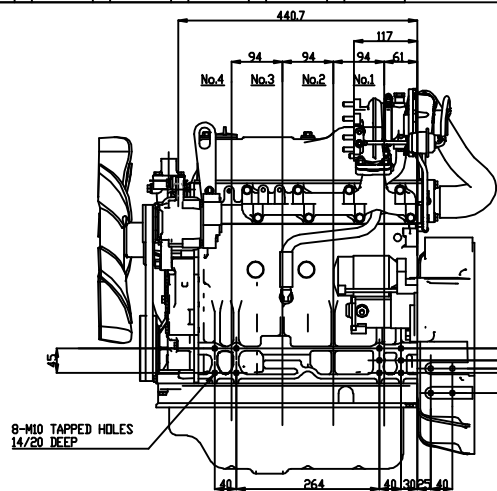


PURCHASING SPECIFICATION
  REQUEST FOR APPROVAL
  DELIVERY DRAWING
  INSPECTING STANDARD
  QC-PROCESS

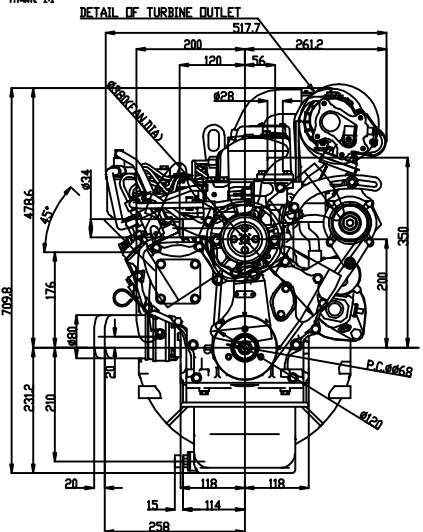
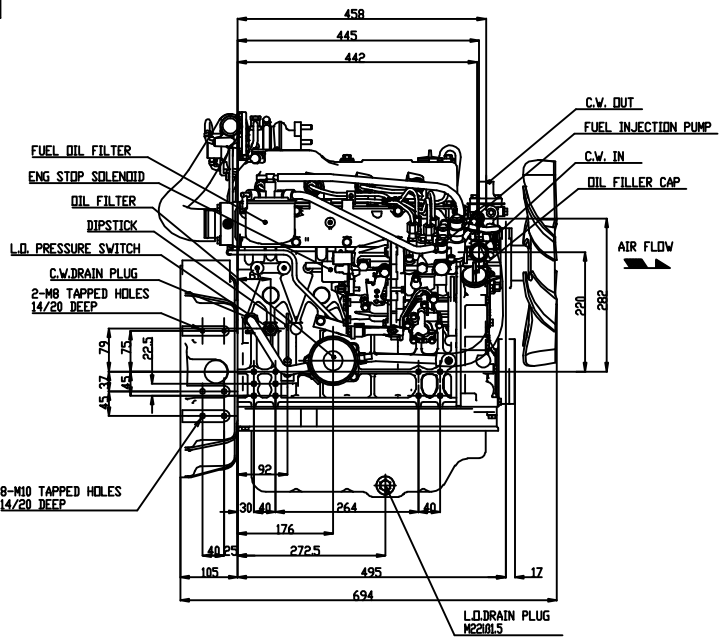
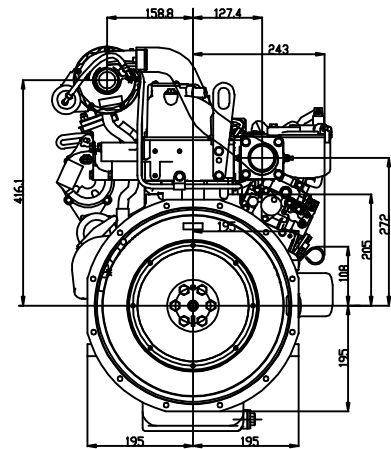
3RD ANGLE PROJECTION

CAREER

Rev.1(2004.Mar.4)  
 Correct CV-7  
 (YDSTX-04026)  
 Rev.2(2005.Jun.25)  
 Correct Air heater  
 (YDSTX-05003)



DETAIL OF TURBINE OUTLET  
VIEW 11



DETAIL OF TURBINE OUTLET

SD-CAD

NOTICE  
 1  
 2  
 3  
 4  
 5  
 6  
 7  
 8  
 9  
 10  
 11  
 12  
 13  
 14  
 15  
 16  
 17  
 18  
 19  
 20  
 21  
 22  
 23  
 24  
 25  
 26  
 27  
 28  
 29  
 30  
 31  
 32  
 33  
 34  
 35  
 36  
 37  
 38  
 39  
 40  
 41  
 42  
 43  
 44  
 45  
 46  
 47  
 48  
 49  
 50  
 51  
 52  
 53  
 54  
 55  
 56  
 57  
 58  
 59  
 60  
 61  
 62  
 63  
 64  
 65  
 66  
 67  
 68  
 69  
 70  
 71  
 72  
 73  
 74  
 75  
 76  
 77  
 78  
 79  
 80  
 81  
 82  
 83  
 84  
 85  
 86  
 87  
 88  
 89  
 90  
 91  
 92  
 93  
 94  
 95  
 96  
 97  
 98  
 99  
 100

WEIGHT (CALC)	kg (lb 30)					ENGINEER		
SEC. MANAGER		DATE/REV				SCALE	1:4	
CHECKED	SPECIALIST	QTY	1			MATERIAL		
DESIGNED	DRAWN	DATE/REV				OUTLINE		
K.Muro	E.Aochi	0803.910						
<b>YANMAR</b>						Rev.1	Rev.2	
YANMAR CO., LTD. ENGINE PRODUCT OPERATIONS DIV.						CORE	B3-29649-0040	A1