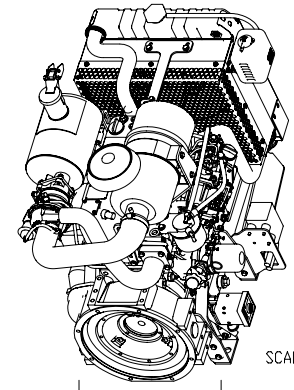
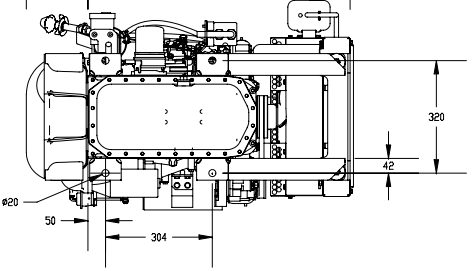
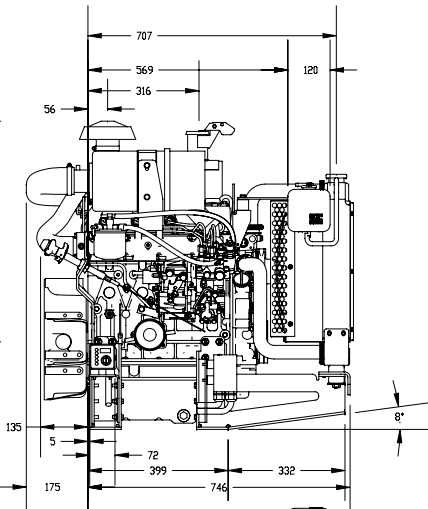
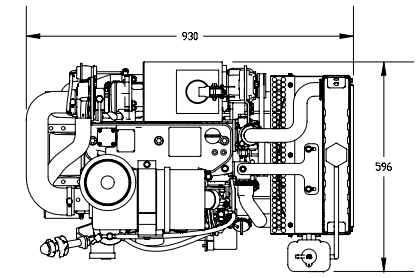
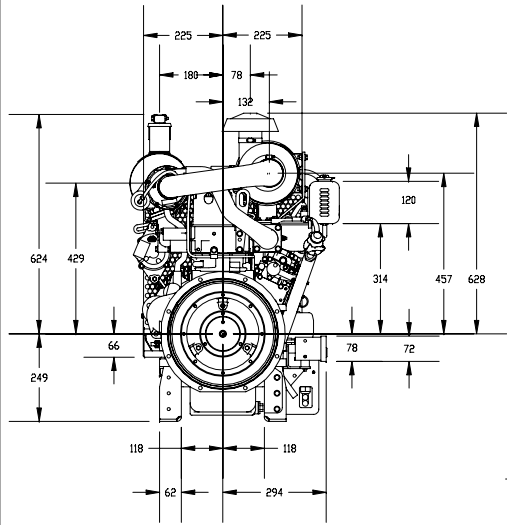
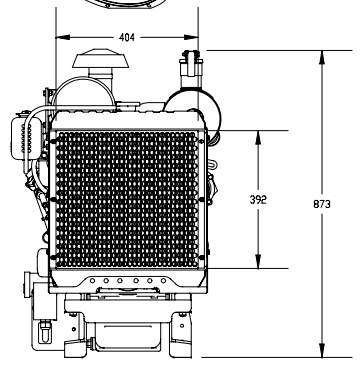


NOTES:

1. measurements are taken from the cylinder block rear and the crankshaft
2. dimensions for the upgraded control panel are larger than the panel in the model
3. the flywheel housing will be different based upon the spec design of the engine



SCALE 0.125



CAREER

YANMAR CO., LTD. YANMAR AMERICA CORP	
GMANAGER	
S.MANAGER	SPECIALIST
CHECKED	DESIGN/DRAW
MODEL	
QTY	

PART NAME	OUTLINE DRAWING	PART CODE	4TNV84T-KIT
-----------	-----------------	-----------	-------------