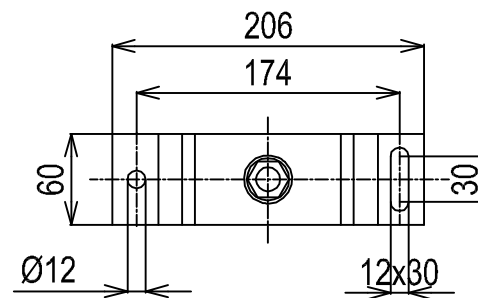
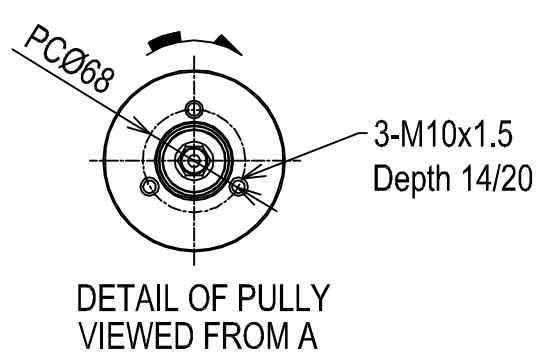
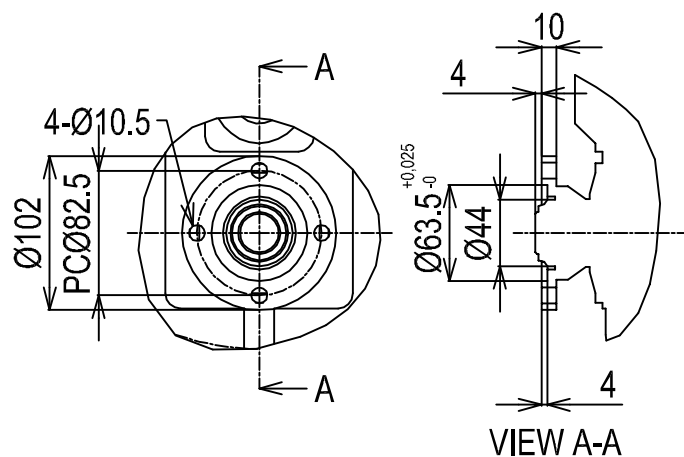


DETAIL OF COUPLING

DIRECTION OF ROTATION

DETAIL OF MOUNTING BLOCK



**NOTE:**

1. DWG. SHOWS MOUNTING BLOCKS AT ORIGINAL HEIGHT. ENGINE WEIGHT WILL COMPRESS BLOCKS BY 4MM (APPROX).
2. MOUNTING BLOCKS ARE EQUIPPED FOR STANDARD ACCESSORY.
3. ● SHOWS THE CENTER OF GRAVITY.
4. THE FIGURES MARKED WITH \* SHOW THE DIMENSIONS WITH U-MIXING ELBOW, OR OPTIONAL COUPLING.
5. FOR ADDITIONAL INSTALLATION INFORMATION AND SPECIFICATIONS PLEASE REFER TO THE YANMAR ENGINE INSTALLATION MANUAL

Series:	JH5E	Engine:	4JH5ExZF30M	Release:	R2009-01
Scale:	1:10	Date:	01-12-2009	Dimensions:	mm

