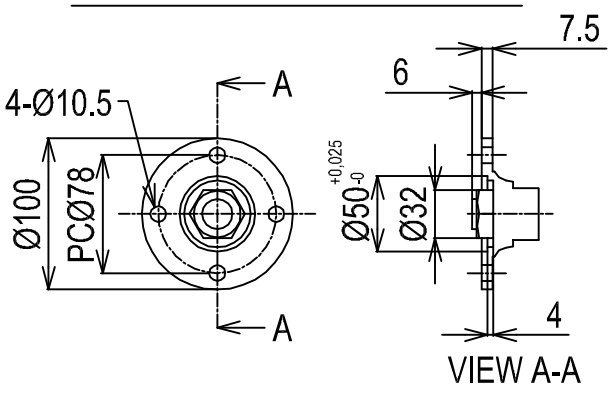
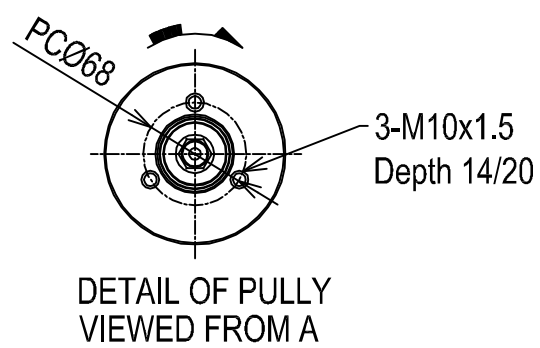


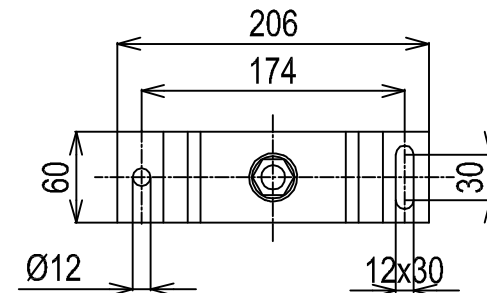
DETAIL OF COUPLING



DIRECTION OF ROTATION



DETAIL OF MOUNTING BLOCK



NOTE:

- 1.DWG.SHOWS MOUNTING BLOCKS AT ORIGINAL HEIGHT. ENGINE WEIGHT WILL COMPRESS BLOCKS BY 4MM(APPROX).
- 2.MOUNTING BLOCKS ARE EQUIPPED FOR STANDARD ACCESSORY.
- 3.⊙ SHOWS THE CENTER OF GRAVITY.
- 4.THE FIGURES MARKED WITH * SHOW THE DIMENSIONS WITH U-MIXING ELBOW, OR OPTIONAL COUPLING.
- 5.FOR ADDITIONAL INSTALLATION INFORMATION AND SPECIFICATIONS PLEASE REFER TO THE YANMAR ENGINE INSTALLATION MANUAL

Series:	JH5E	Engine:	4JH5ExKM35P	Release:	R2009-01
Scale:	1:10	Date:	01-12-2009	Dimensions:	mm

