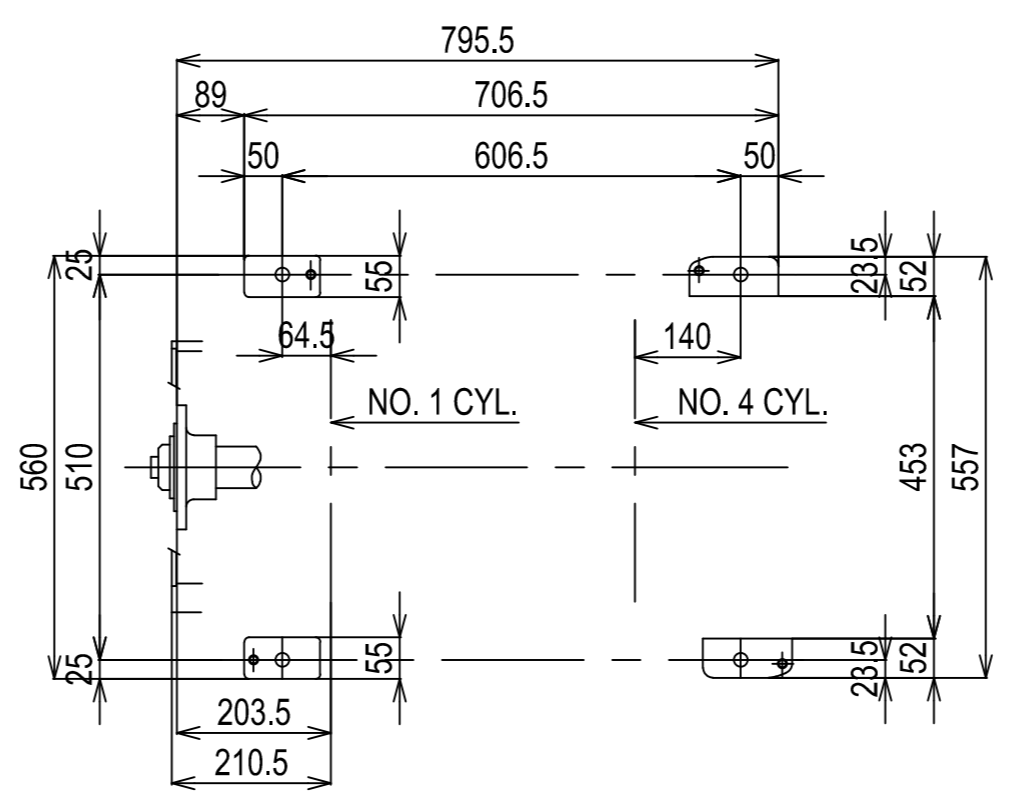
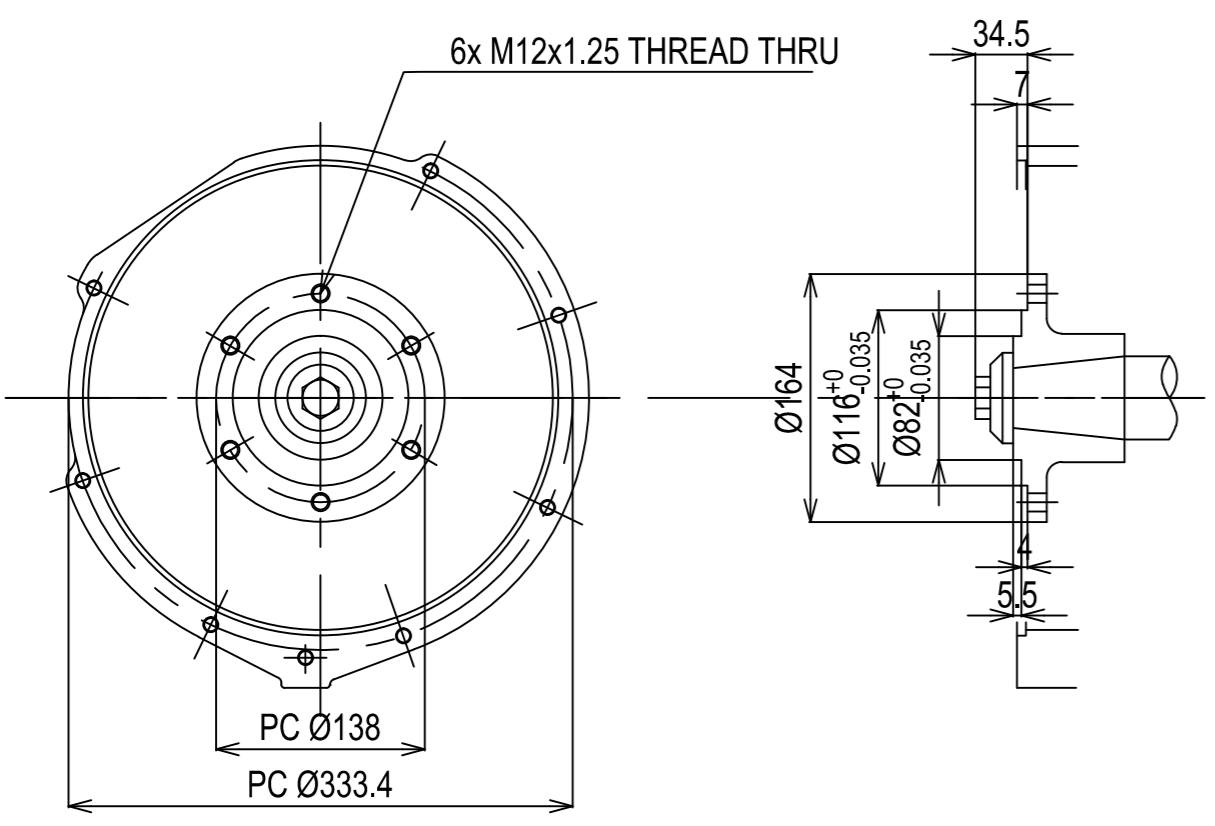
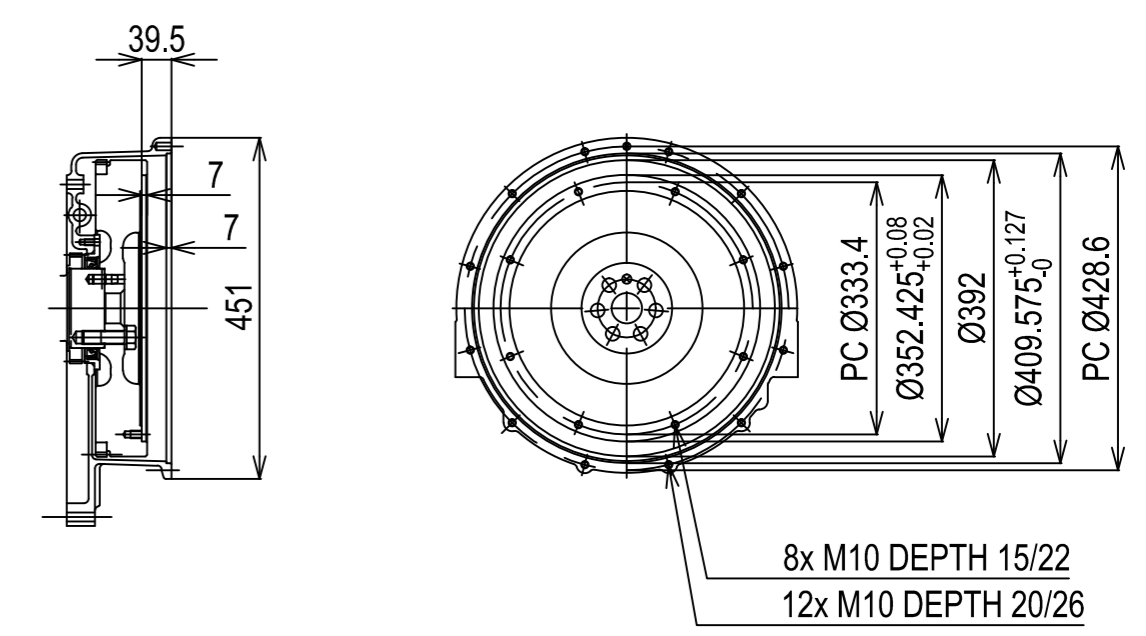


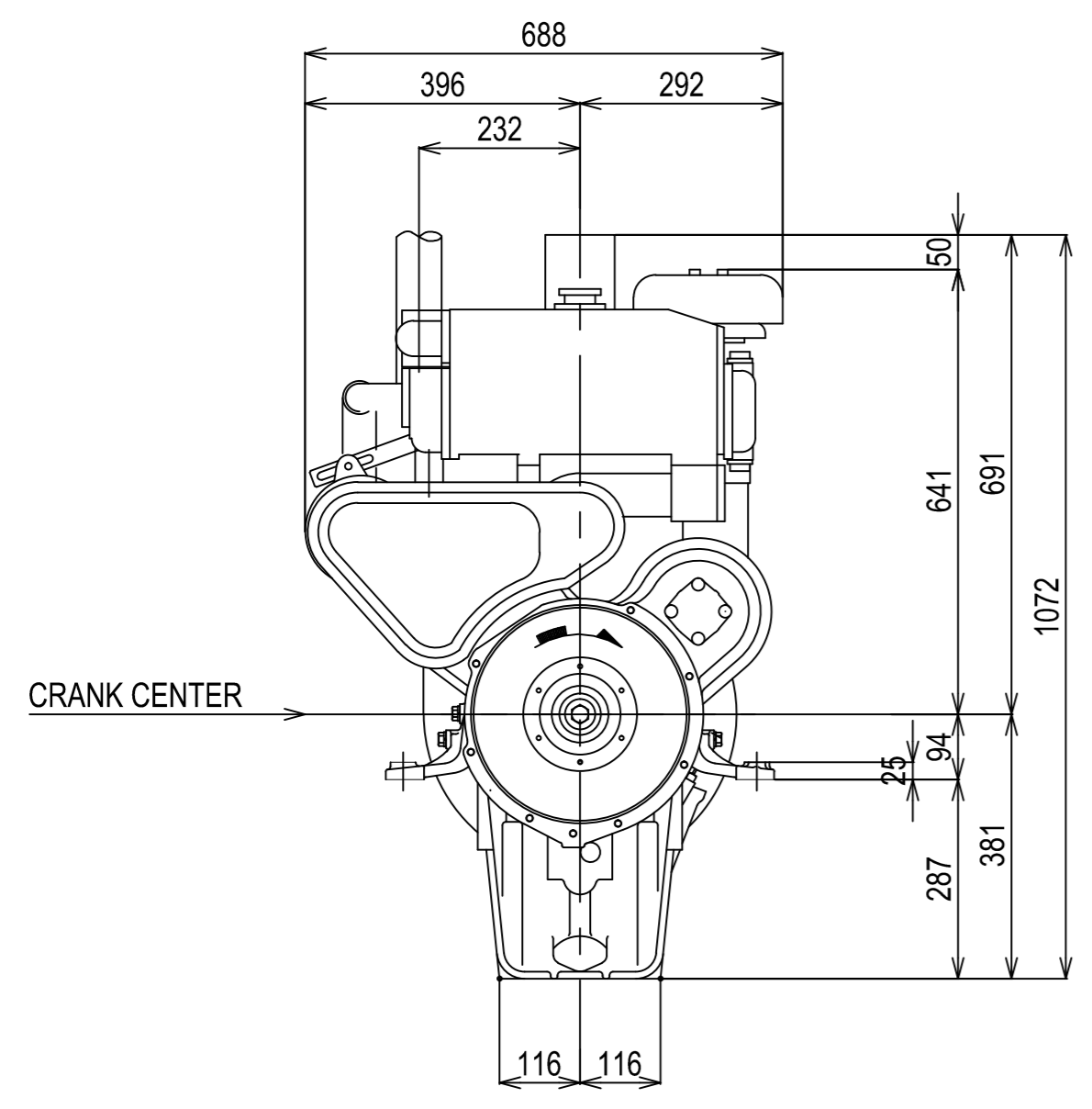
**DETAIL OF FRONT PTO (1:5)**



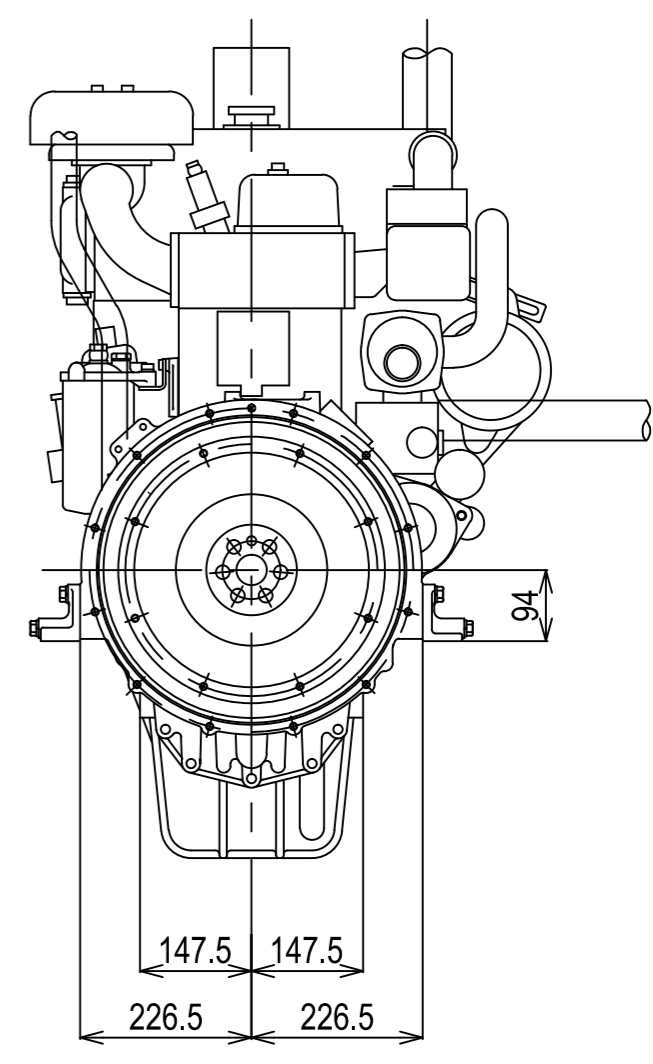
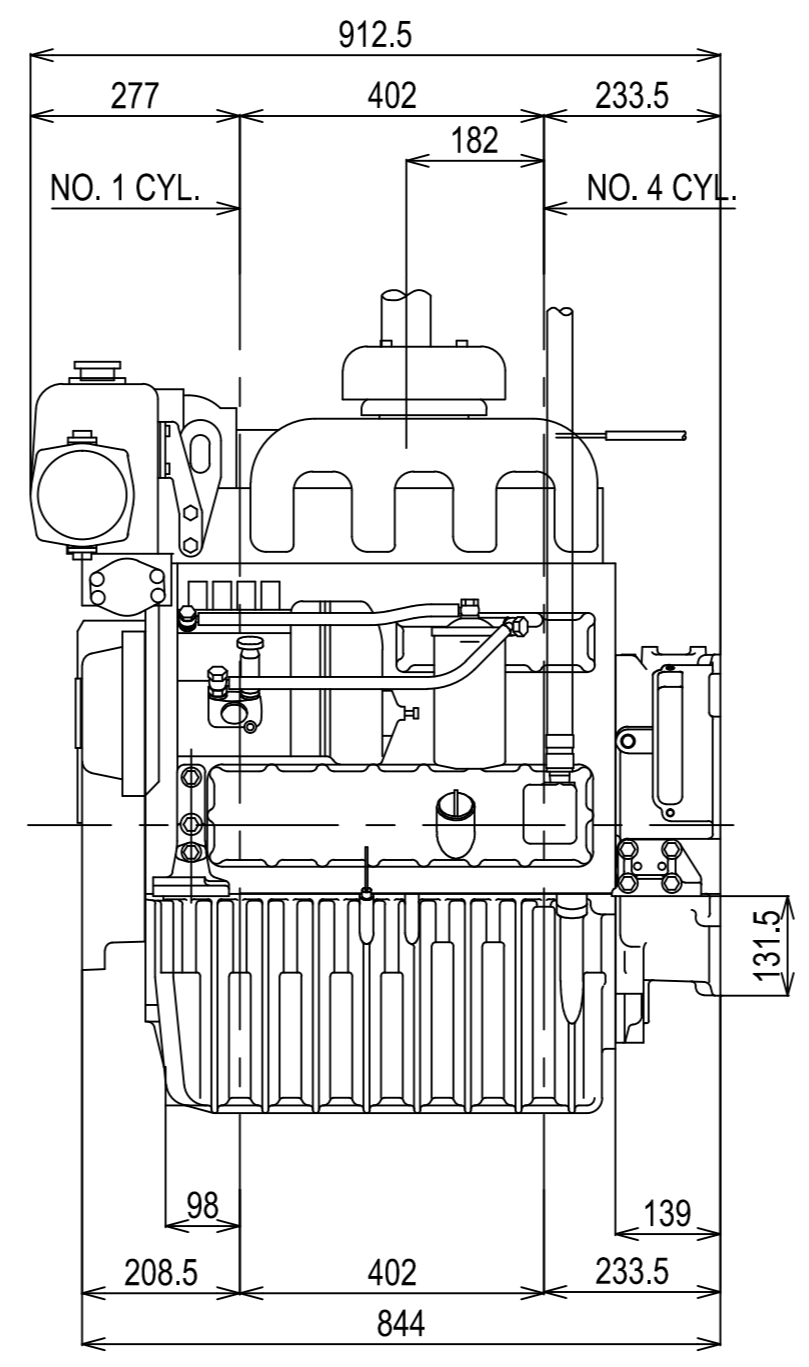
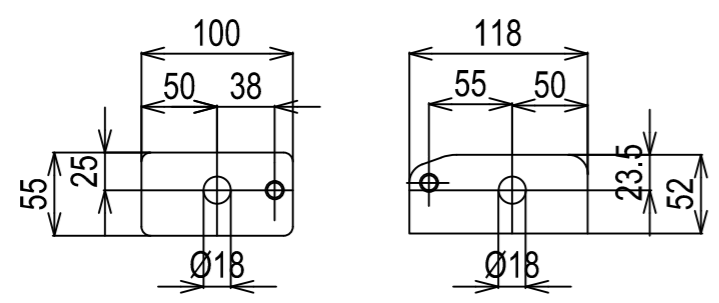
**DETAIL OF FLYWHEEL**



Flywheel housing & Flywheel : SAE #3 & #11-1/2



**DETAIL OF MOUNTING BLOCK (1:5)**



|                   |                  |                  |
|-------------------|------------------|------------------|
| Series: 4CH3      | Engine: 4CHE3    | Release: R2011-1 |
| Scale: 1:10 (1:5) | Date: 01-02-2011 | Dimensions: mm   |

