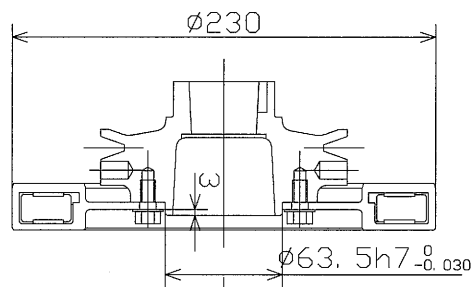
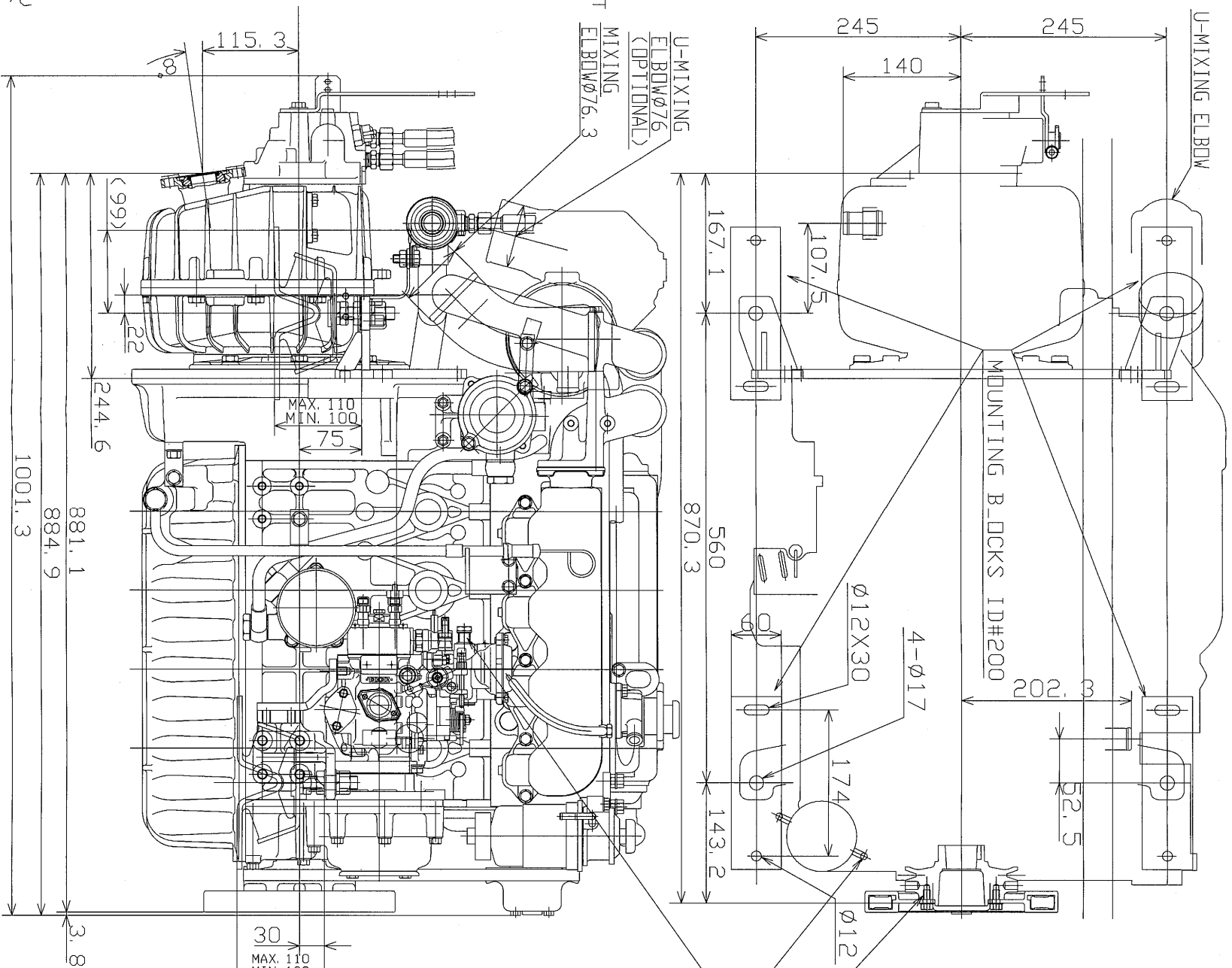
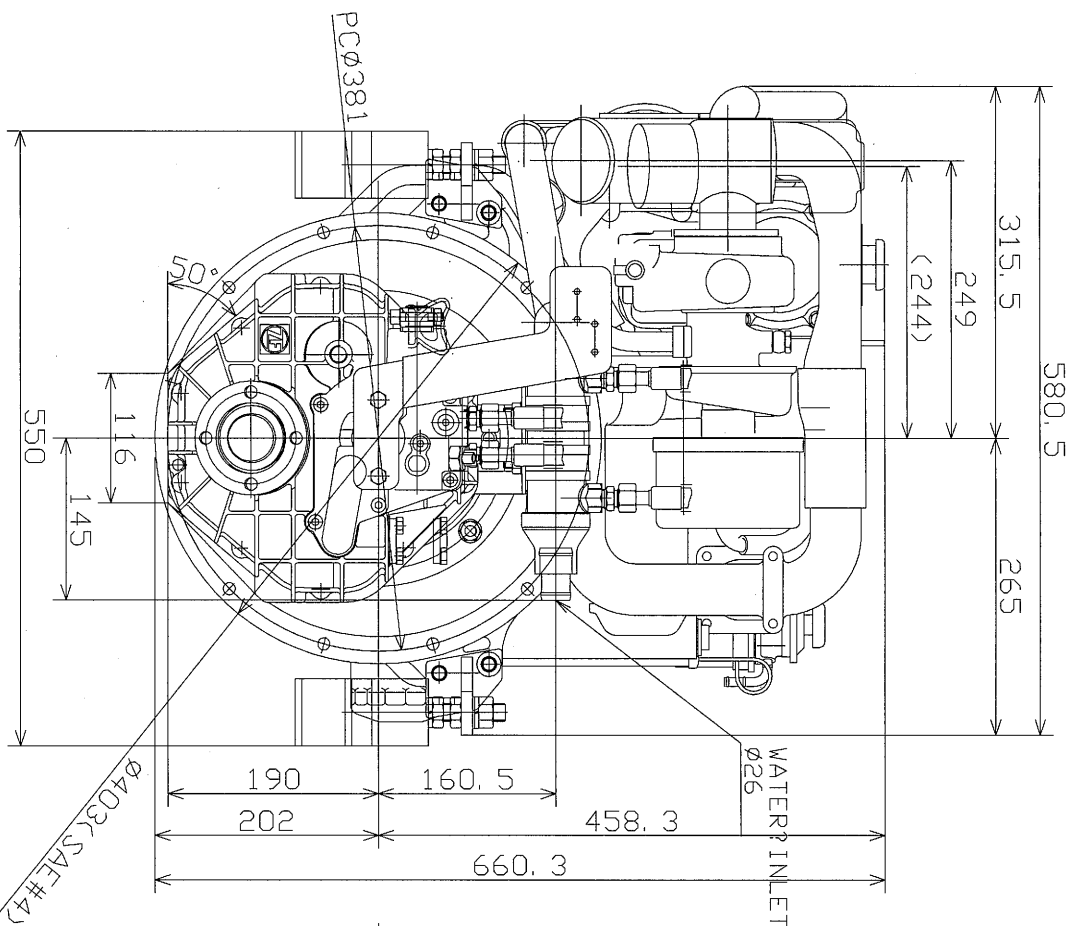


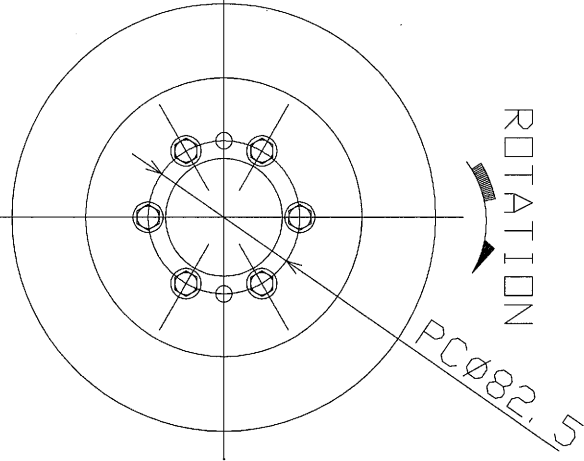
DETAIL OF COUPLING

SCALE 1/3



DETAIL OF PULLEY
(SCALE 1/3)

VIEW IN DIRECTION OF ARROW A



ZF25A

NOTE
1. DWG. SHOWS MOUNTING BLOCKS AT ORIGINAL HEIGHT. ENGINE WEIGHT WILL COMPRESS BLOCKS BY 4MM (APPROX).
2. WHEN DESIGNING ENGINE BED, CONSIDER THE CLEARANCE BETWEEN L.O. RETURN PIPE AND ENGINE BED, SHOWN BY *. THE FIGURE 12MM SHOWS CLEARANCE AT THE MIDDLE HEIGHT OF MOUNTING BLOCKS, AND MINIMUM CLEARANCE IS 8MM.

SPECIFICATIONS

Model	4JH3-DTE
Continuous Power	(ISO 3046) kW/r ³ m 85.3/3700
Fuel Stop Power	(ISO 3046) kW/r ³ m 88.3/3800
Reduction ratio	2.0
Engine Mass	kg 257
Direction of prop. shaft rotation	Bi-Rotation

DRAWN DATE 2003
3.7
YANMAR MARINE INTERNATIONAL B.V.
07-07-2003

MODEL	4JH3	SCALE	1/5(1/3)
QTY.	DTE	MATERIAL	
NAME	4JH3-DTE+ZF25A OUTLINE		
CODE	B2-29673-0820		