

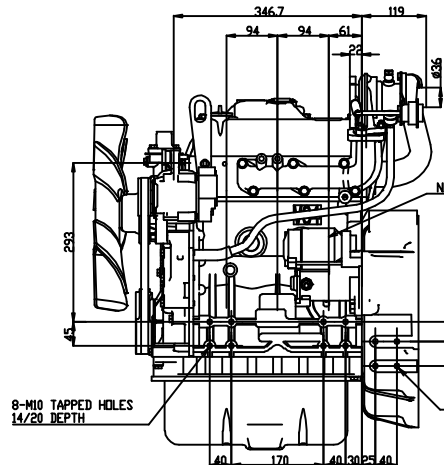
PURCHASING SPECIFICATION
 REQUEST FOR APPROVAL
 DELIVERY DRAWING
 INSPECTING STANDARD
 QC-PROCESS

FIGURE DIMENSION
 GT CODE
 AND RADIAL

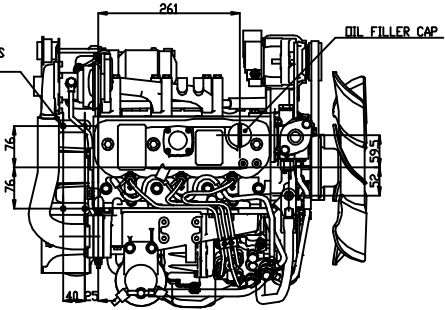
3RD ANGLE PROJECTION

CAREER

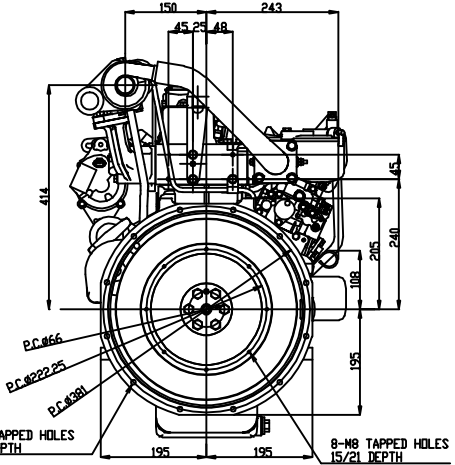
Rev.1(2003.Apr.18)
 Change Int.Manifold
 and generator.
 Rev.2(2003.Sep.11)
 Change parts
 1Generator
 1Adjuster
 (YDSTE-03390)
 Rev.3(2004.Mar.4)
 Correct CV-T
 (YDSTX-04026)



4-M10 TAPPED HOLES
 14/20 DEPTH
 NO.1 CYLINDER
 4-M10 TAPPED HOLES
 14/20 DEPTH

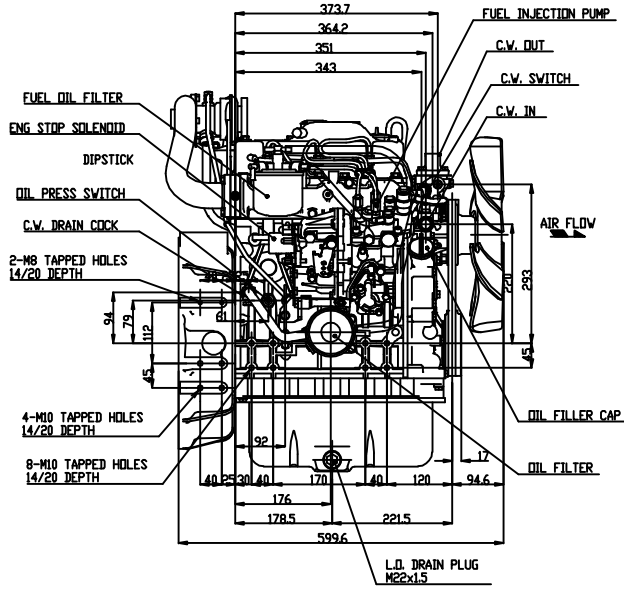


OIL FILLER CAP

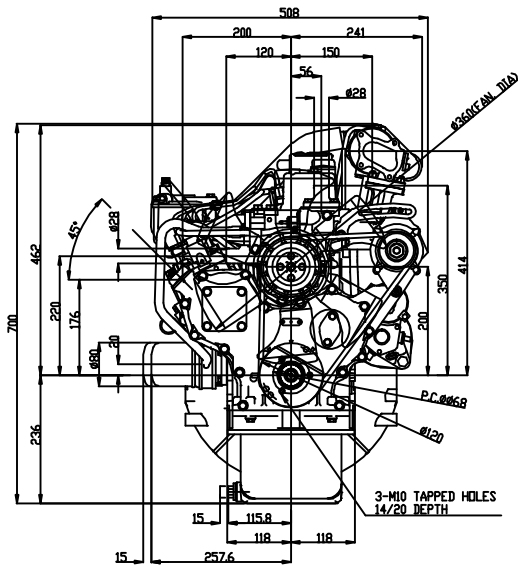


12-M10 TAPPED HOLES
 14/20 DEPTH
 8-M8 TAPPED HOLES
 15/21 DEPTH

P.C.#666
 P.C.#222.25
 P.C.#381



FUEL OIL FILTER
 ENG STOP SOLENOID
 DIPSTICK
 OIL PRESS SWITCH
 C.W. DRAIN COCK
 2-M8 TAPPED HOLES
 14/20 DEPTH
 4-M10 TAPPED HOLES
 14/20 DEPTH
 8-M10 TAPPED HOLES
 14/20 DEPTH
 L.O. DRAIN PLUG
 M22x1.5
 FUEL INJECTION PUMP
 C.W. OUT
 C.W. SWITCH
 C.W. IN
 AIR FLOW
 OIL FILLER CAP
 OIL FILTER



SCALE (ALL DIM)

SD-CAD
 NOTICE
 1
 2
 3
 4
 5
 6
 7
 8
 9
 10
 11
 12
 13
 14
 15
 16
 17
 18
 19
 20
 21
 22
 23
 24
 25
 26
 27
 28
 29
 30
 31
 32
 33
 34
 35
 36
 37
 38
 39
 40
 41
 42
 43
 44
 45
 46
 47
 48
 49
 50
 51
 52
 53
 54
 55
 56
 57
 58
 59
 60
 61
 62
 63
 64
 65
 66
 67
 68
 69
 70
 71
 72
 73
 74
 75
 76
 77
 78
 79
 80
 81
 82
 83
 84
 85
 86
 87
 88
 89
 90
 91
 92
 93
 94
 95
 96
 97
 98
 99
 100

WEIGHT (GROSS)	kg (lb 30)	ENGINEER	MANAGER
WEIGHT (CALC.)	kg (lb 30)	SCALE	1:4
SEC.MANAGER	ITEM NO.	DATE	MATERIAL
CHECKED	SPECIALIST	QTY	1
DESIGNED	DRAWN	DATE/YEAR	NAME
	A7 UA	2002.11.1	OUTLINE
YANMAR			
YANMAR CO., LTD. ENGINE PRODUCT OPERATIONS DIV.			
CODE	B3-29046-0010	Rev.1	Rev.2
			A1