

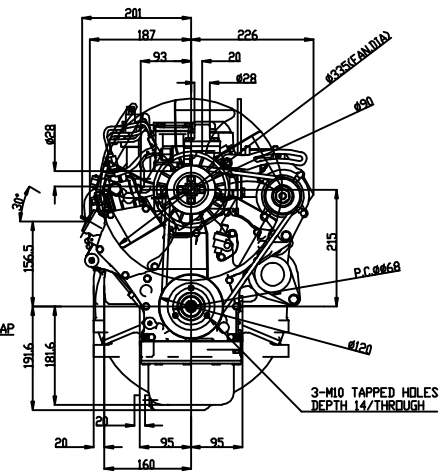
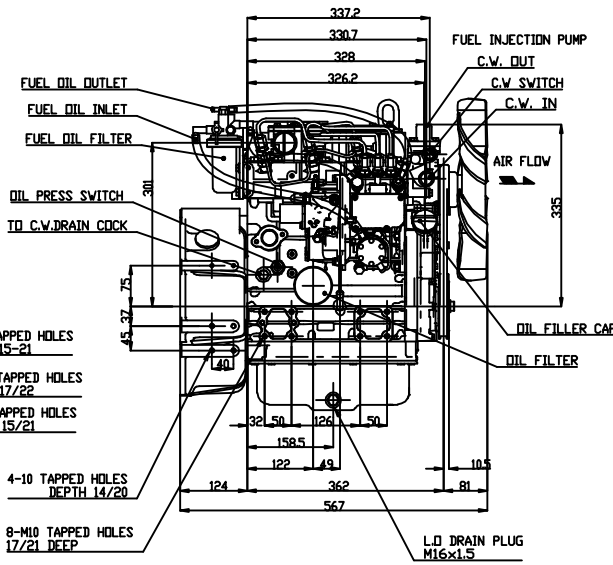
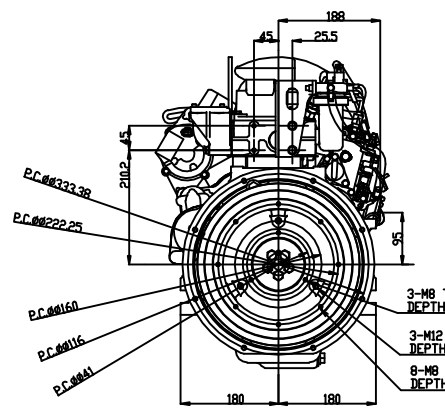
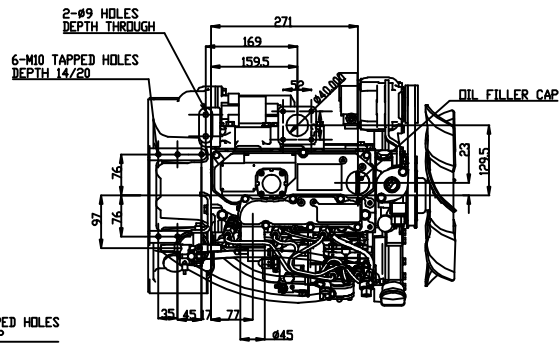
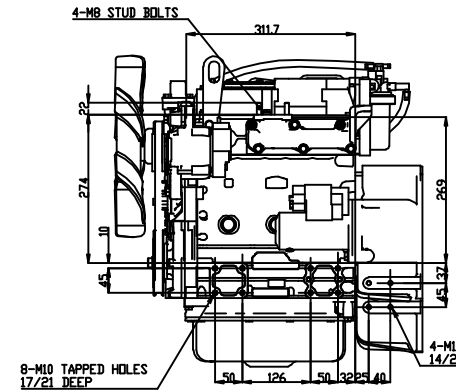
3RD ANGLE PROJECTION

CAREER

GEN. TOL.	PART NAME	PURCHASING SPECIFICATION	REMARKS FOR APPROVAL	DELIVERY QUANTITY	INSPECTING STANDARD	QC-PROCESS	TOLERANCES																							
							100 TO	200 TO	300 TO	400 TO	500 TO	600 TO	800 TO	1000 TO	2000 TO	4000 TO	10000 TO	MAX												
±1.0	±1.5	±2.0	±3.0	±4.0	±5.0	±7.0	±1.5	±2.0	±3.0	±4.0	±5.0	±7.0	±1.5	±2.0	±3.0	±4.0	±5.0	±7.0	±1.5	±2.0	±3.0	±4.0	±5.0	±7.0	±1.5	±2.0	±3.0	±4.0	±5.0	±7.0

FIGURE DIMENSION

GT CODE
○ AND ○/RADIAL



SD-CAD

NOTICE

1

2

3

4

5

6

7

8

9

10

11

12

13

14

15

16

17

18

19

20

21

22

23

24

25

26

27

28

29

30

31

32

33

34

35

36

37

38

39

40

41

42

43

44

45

46

47

48

49

50

WEIGHT (GROSS)	kg	78.30			
WEIGHT (CALC.)	kg	0.0000			
DESIGNED	YOKIII	SAKAI	DATE: Y. M. D.	2003.10.31	
DRAWN					
CHECKED					
SPECIALIST					
QTY	1				
SCALE	1:4				
MATERIAL					
DESIGNER	YANMAR				
ENGINEER	YANMAR				
MANAGER	YANMAR				
DATE	2003.10.31				
PROJECT	B3-19746-0010				