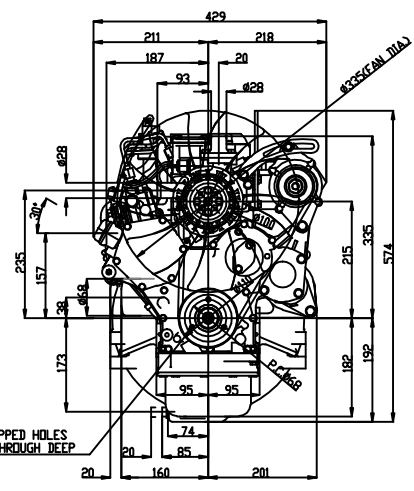
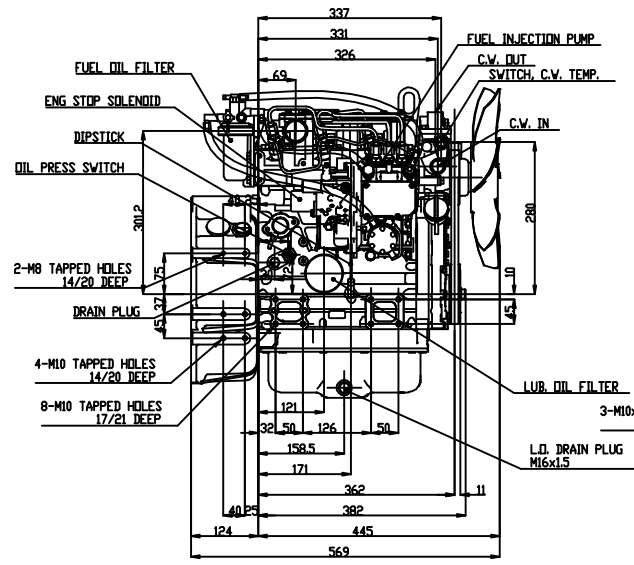
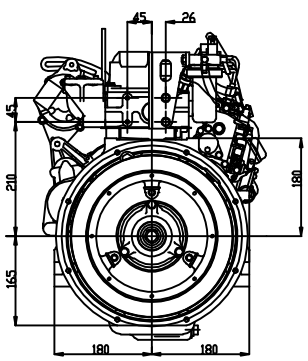
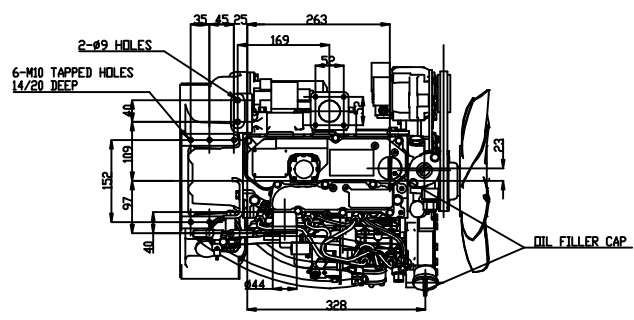
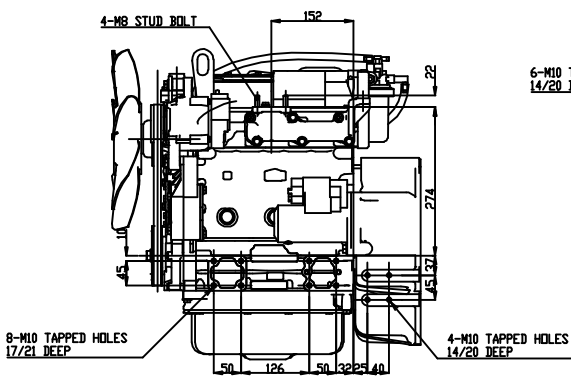


3TNV76-CSA

PURCHASING SPECIFICATION
 REQUEST FOR APPROVAL
 DELIVERY DRAWING
 INSPECTING STANDARD
 QC-PROCESS

FIGURE DIMENSION
 GT CODE
 AND RADIAL

3RD ANGLE PROJECTION
 CAREER



SD-CAD
 NOTICE
 1
 2
 3
 4
 5
 6
 7
 8
 9
 10
 11
 12
 13
 14
 15
 16
 17
 18
 19
 20
 21
 22
 23
 24
 25
 26
 27
 28
 29
 30
 31
 32
 33
 34
 35
 36
 37
 38
 39
 40
 41
 42
 43
 44
 45
 46
 47
 48
 49
 50

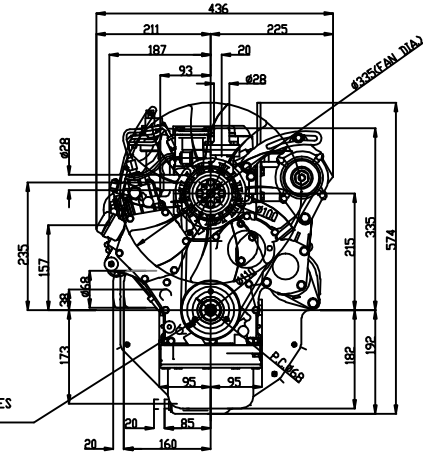
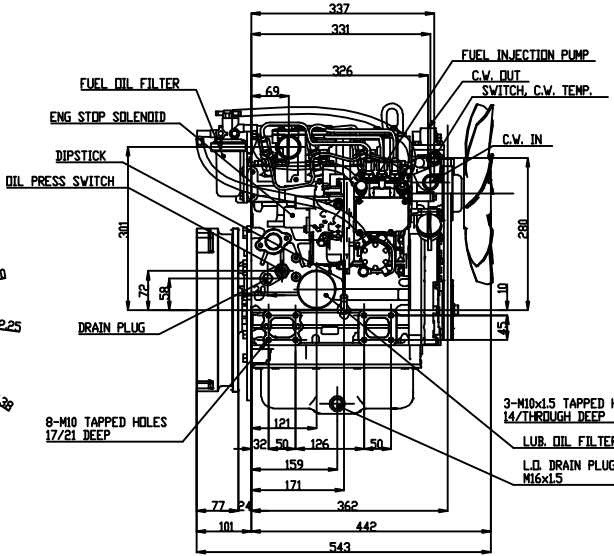
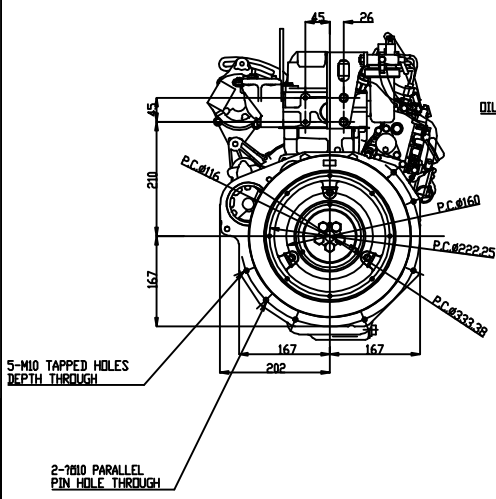
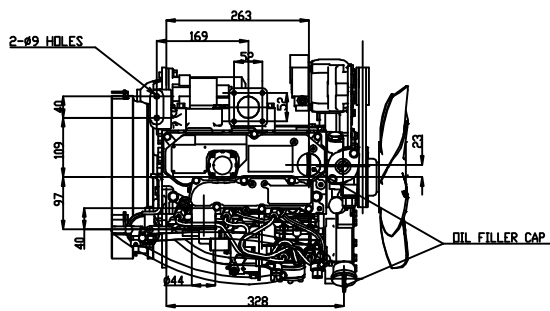
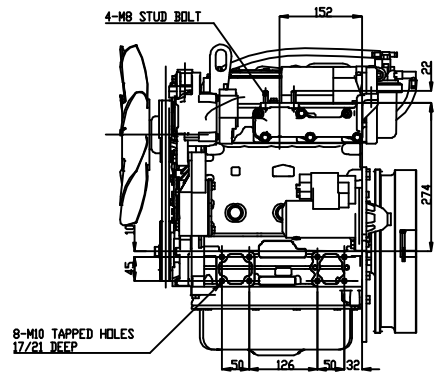
WEIGHT (CALC)	kg (lb)	14 (31)	ENGINEER	MANAGER
CHECKED	SPECIALIST	QTY 1	SCALE	1:4
DESIGNED	DRAWN	DATE/YAD	MATERIAL	
T.SASAKI	E.Aochi	20040826	3TNV76-CSA	
YANMAR				
YANMAR CO., LTD. ENGINE PRODUCT OPERATIONS DIV.				
Dwg No. 3TNV76-CSA Title OUTLINE				C/DWG B3-19717-0090 A1

3TNV76-CSA3

MEER PURCHASING SPECIFICATION REPAIR FOR APPROVAL DELIVERY DRAWING INSPECTING STAMPING QC-PROCESS

FIGURE DIMENSION AND RADIAL
 IGT CODE

3RD ANGLE PROJECTION
 CAREER



SD-CAD

NOTICE

OPEN
 CLOSE
 ZOOM
 PAN
 ROTATE
 TRANSLATE
 SCALE
 MIRROR
 ERASE
 COPY
 PASTE
 LAYER
 DIMENSION
 HIDE
 UNHIDE
 PRINT
 HELP

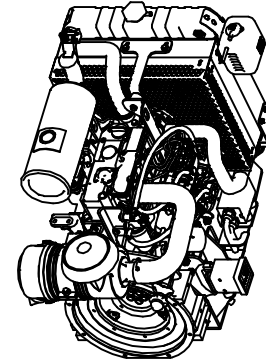
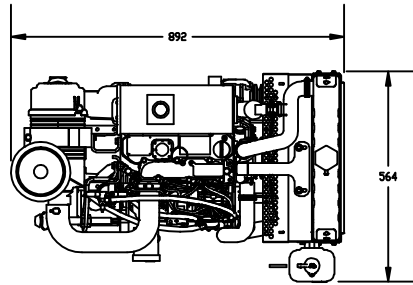
WEIGHT (GROSS)	kg (lb 30)	DESIGNER	DATE
WEIGHT (CALC)	kg (lb 30)	SEC.MANAGER	SCALE 1/4
CHECKED	SPECIALIST	QTY 1	MATERIAL
DESIGNED	DRAWN	DATE/YAD	NAME
T.SASAKI	T.SASAKI	20040428	OUTLINE
YANMAR			
YANMAR CO., LTD. ENGINE PRODUCT OPERATIONS DIV.			
C/DWG B3-19717-0100			A1

Power Unit

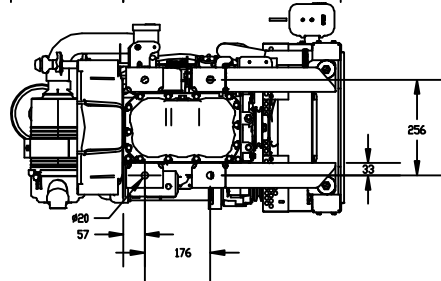
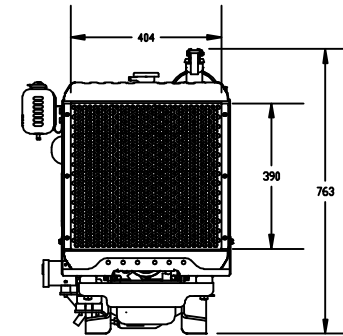
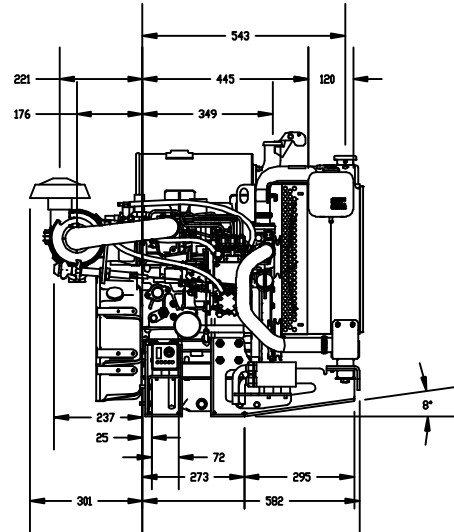
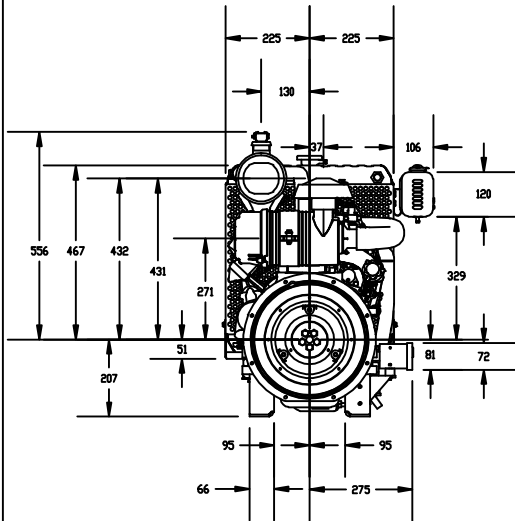
NOTES:

1. measurements are taken from the cylinder block rear and the crankshaft
2. dimensions for the upgraded control panel are larger than the panel in the model
3. the flywheel housing will be different based upon the spec design of the engine

CAREER



SCALE 0.125



YANMAR CO., LTD. YANMAR AMERICA CORP.	
DRAWN	
DRAWN	SPECIALIST
CHECKED	DESIGN/DRW
MODEL	
QTY	

PART NAME	OUTLINE DRAWING	PART CODE	3TNV76-KIT
-----------	-----------------	-----------	------------