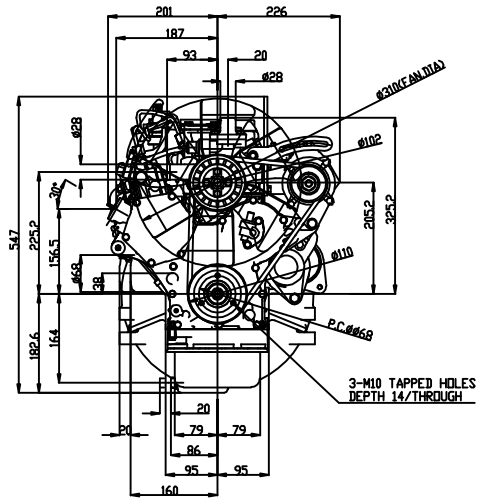
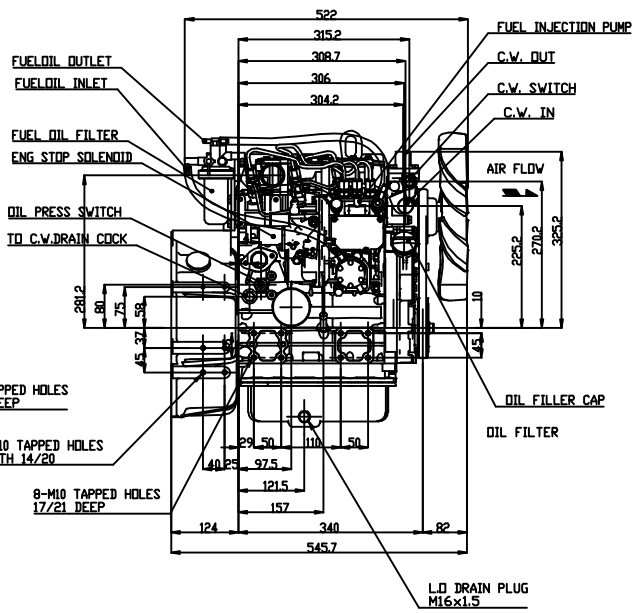
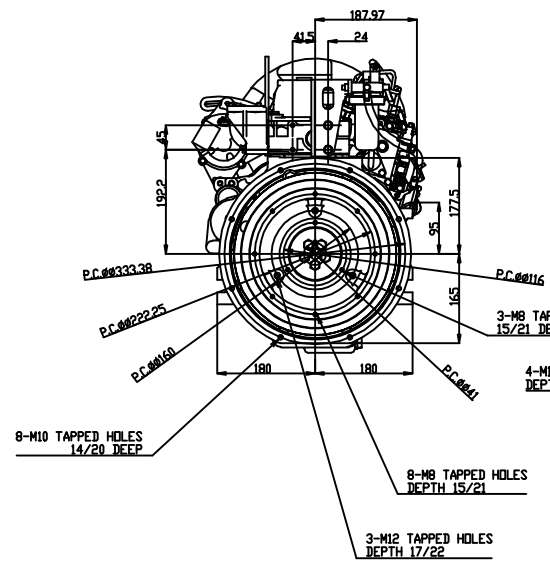
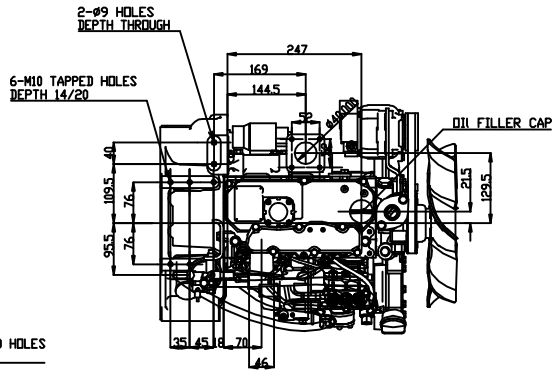
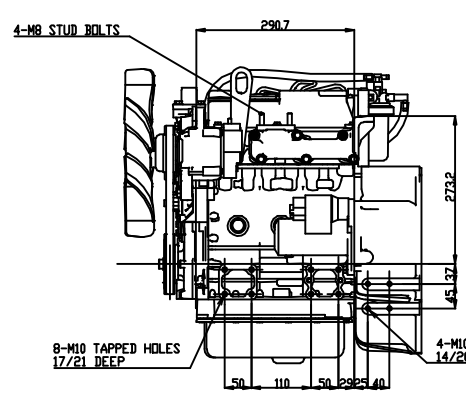


PURCHASE SPECIFICATION
 REQUEST FOR APPROVAL
 DELIVERY DRAWING
 INSPECTING STANDARD
 QC-PROCESS

FIGURE DIMENSION
 GT CODE
 AND RADIAL

3RD ANGLE PROJECTION

CAREER



SD-CAD

NOTICE

COPY
 PASTE
 ERASE
 MOVE
 ROTATE
 SCALE
 DIMENSION
 HIDE
 UNHIDE
 LOCK
 UNLOCK
 ZOOM
 PAN
 PRINT
 HELP

WEIGHT (GROSS)	kg	78.30	MANAGER	DESIGNED	DATE: Y.M.D	SCALE	1:4
WEIGHT (CALC.)	kg	0.0000	SEC.MANAGER	CHECKED	SPECIALIST	QTY	1
DESIGNED		7E	DRAWN		X0	DATE: Y.M.D	
DRAWN		X0	DATE: Y.M.D		2003.11.7	MATERIAL	
YANMAR							
YANMAR CO., LTD. ENGINE PRODUCT OPERATIONS DIV.						B3-19546-0010	