

# 3TNV70-ASA

PURCHASING SPECIFICATION  
 REQUEST FOR APPROVAL  
 DELIVERY DRAWING  
 INSPECTING STANDARD  
 QC-PROCESS

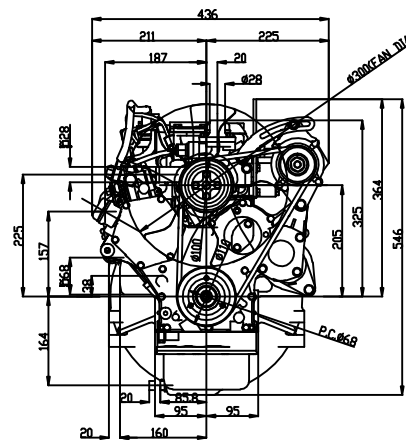
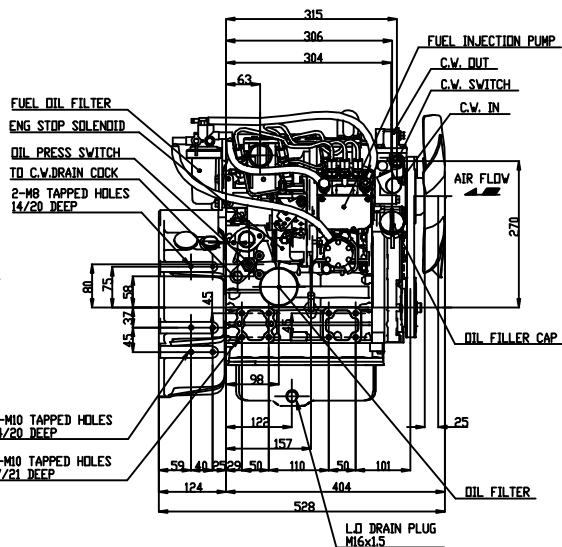
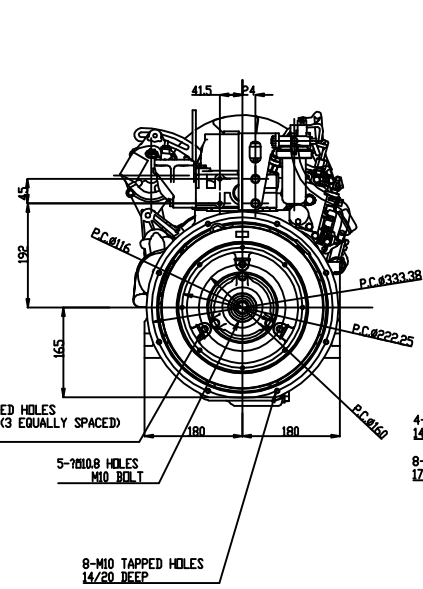
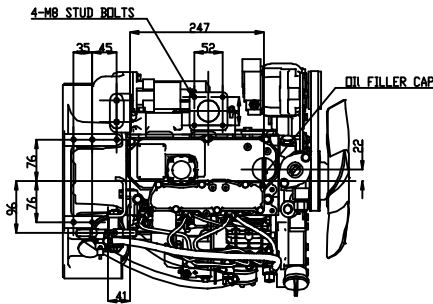
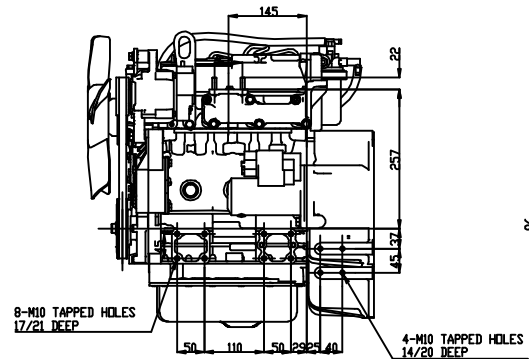
FIGURE DIMENSION

IGT CODE

AND  RADIAL

3RD ANGLE PROJECTION

CAREER



SD-CAD

NOTICE

1  
 2  
 3  
 4  
 5  
 6  
 7  
 8  
 9  
 10  
 11  
 12  
 13  
 14  
 15  
 16  
 17  
 18  
 19  
 20  
 21  
 22  
 23  
 24  
 25  
 26  
 27  
 28  
 29  
 30  
 31  
 32  
 33  
 34  
 35  
 36  
 37  
 38  
 39  
 40  
 41  
 42  
 43  
 44  
 45  
 46  
 47  
 48  
 49  
 50  
 51  
 52  
 53  
 54  
 55  
 56  
 57  
 58  
 59  
 60  
 61  
 62  
 63  
 64  
 65  
 66  
 67  
 68  
 69  
 70  
 71  
 72  
 73  
 74  
 75  
 76  
 77  
 78  
 79  
 80  
 81  
 82  
 83  
 84  
 85  
 86  
 87  
 88  
 89  
 90  
 91  
 92  
 93  
 94  
 95  
 96  
 97  
 98  
 99  
 100

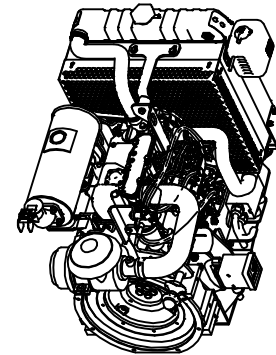
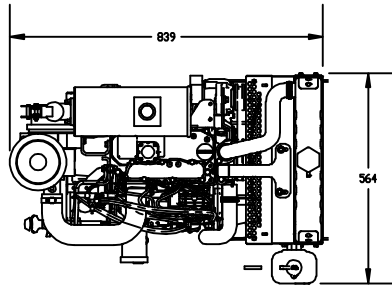
WEIGHT (GROSS)	kg (LBS)	MANAGER	ENGINEER
WEIGHT (CALC)	kg (LBS)		
SEC. MANAGER		SCALE	1:4
CHECKED	SPECIALIST	QTY	1
DESIGNED	DRAWN	DATE/YEAR	NAME
T.SASAKI	T.SASAKI	20040826	
<b>YANMAR</b>			
YANMAR CO., LTD. ENGINE PRODUCT OPERATIONS DIV.			
CODE			B3-19515-0060
DRAWING NO.			A1



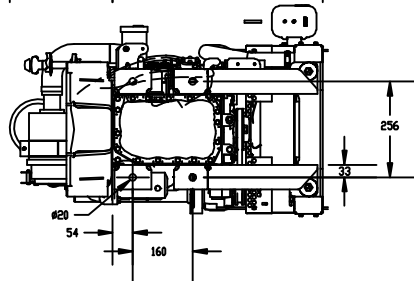
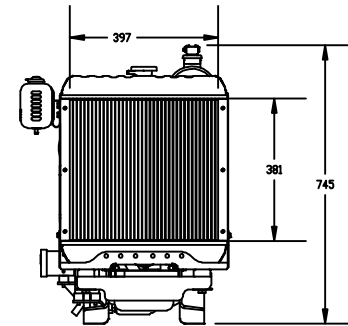
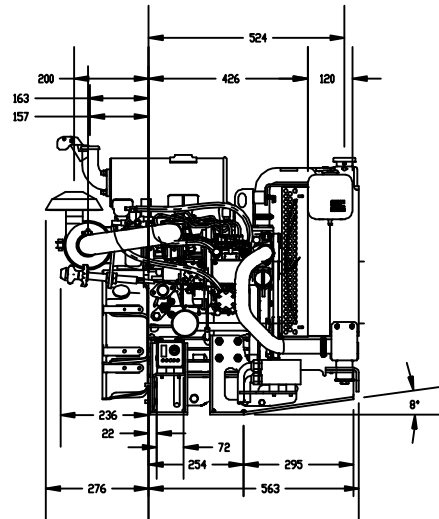
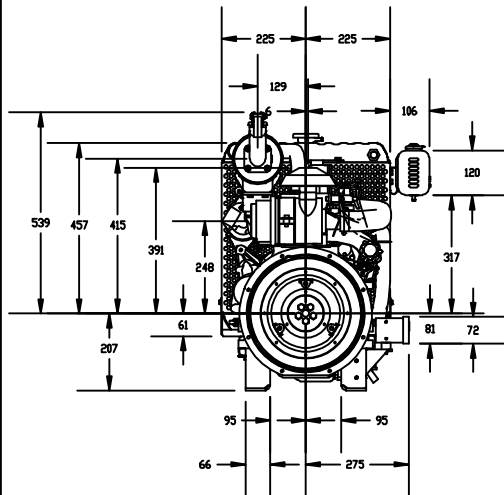
# Power Unit

**NOTES:**

1. measurements are taken from the cylinder block rear and the crankshaft
2. dimensions for the upgraded control panel are larger than the panel in the model
3. the flywheel housing will be different based upon the spec design of the engine



SCALE 0.125



CAREER

YANMAR CO., LTD.	
YANMAR AMERICA CORP.	
DRAWN	
CHECKER	SPECIALIST
CHECKER	DESIGN/DRW
MODEL	
QTY	

PART NAME	OUTLINE DRAWING	PART CODE	3TNV70-KIT
-----------	-----------------	-----------	------------