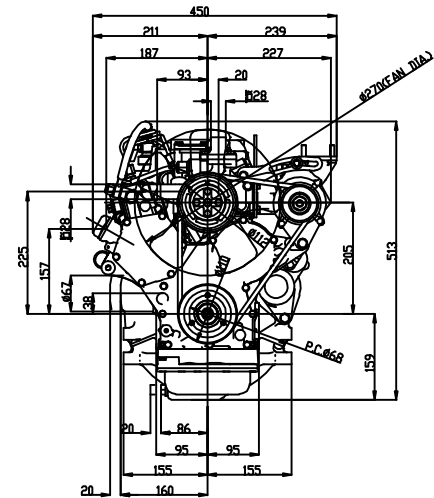
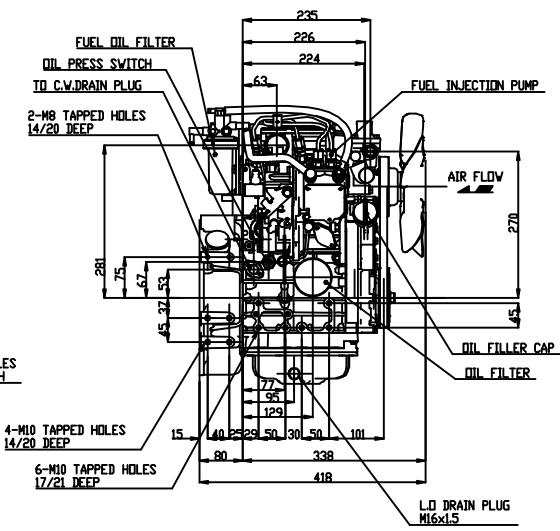
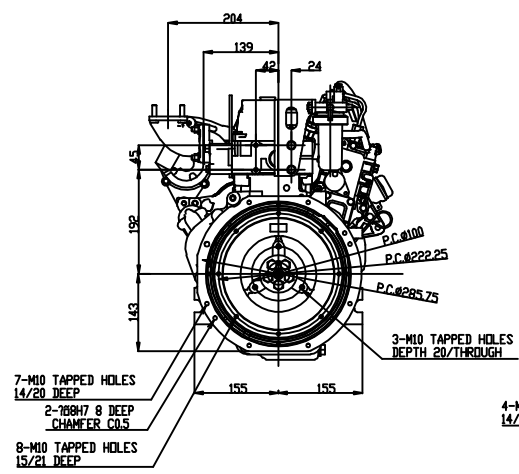
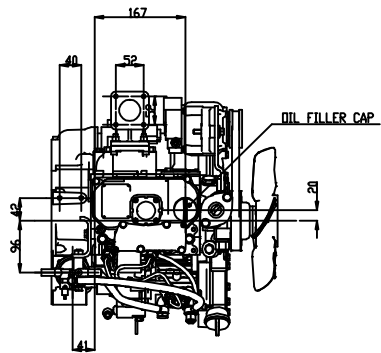
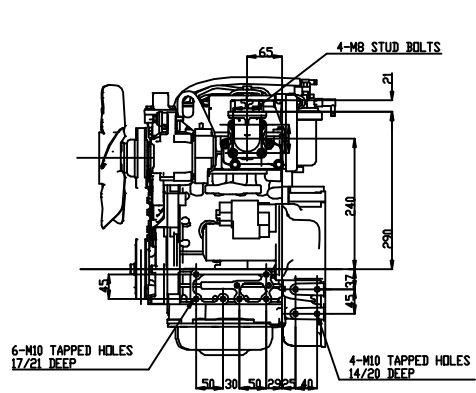


PURCHASING SPECIFICATION  
 REQUEST FOR APPROVAL  
 DELIVERY DRAWING  
 INSPECTING STANDARD  
 QC-PROCESS

FIGURE DIMENSION  
 GT CODE  
 AND  RADIAL

3RD ANGLE PROJECTION  
 CAREER



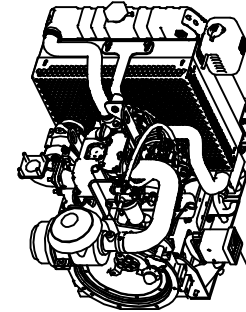
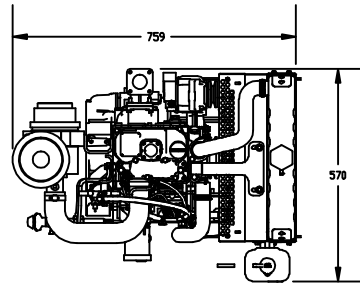
SD-CAD  
 NOTICE  
 1  
 2  
 3  
 4  
 5  
 6  
 7  
 8  
 9  
 10  
 11  
 12  
 13  
 14  
 15  
 16  
 17  
 18  
 19  
 20  
 21  
 22  
 23  
 24  
 25  
 26  
 27  
 28  
 29  
 30  
 31  
 32  
 33  
 34  
 35  
 36  
 37  
 38  
 39  
 40  
 41  
 42  
 43  
 44  
 45  
 46  
 47  
 48  
 49  
 50  
 51  
 52  
 53  
 54  
 55  
 56  
 57  
 58  
 59  
 60  
 61  
 62  
 63  
 64  
 65  
 66  
 67  
 68  
 69  
 70  
 71  
 72  
 73  
 74  
 75  
 76  
 77  
 78  
 79  
 80  
 81  
 82  
 83  
 84  
 85  
 86  
 87  
 88  
 89  
 90  
 91  
 92  
 93  
 94  
 95  
 96  
 97  
 98  
 99  
 100

|   |             |          |               |               |
|---|-------------|----------|---------------|---------------|
| WEIGHT (GROSS)                                  | kg (lb. 32) | 14       | MANAGER       | ENGINEER      |
| WEIGHT (CALC.)                                  | kg (lb. 32) | 738379/4 | SCALE         | 1:4           |
| SEC. MANAGER                                    |             |          | MATERIAL      |               |
| CHECKED   | SPECIALIST  | QTY 1    | PIT/NM70-JASA |               |
| DESIGNED  | DRAWN       | DATE/YAD | NAME          |               |
| T.SASAKI  | T.SASAKI    | 20040826 | OUTLINE       |               |
| <b>YANMAR</b>                                   |             |          |               |               |
| YANMAR CO., LTD. ENGINE PRODUCT OPERATIONS DIV. |             |          | CODE          | B3-19415-0060 |

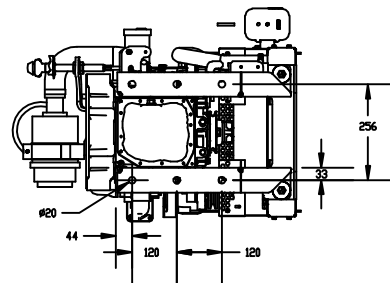
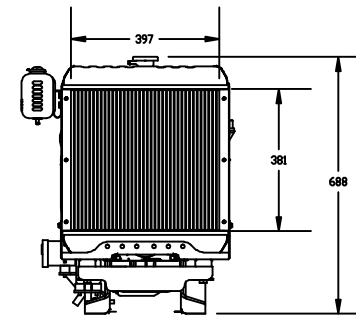
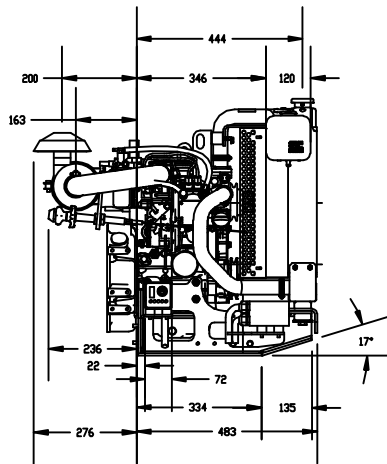
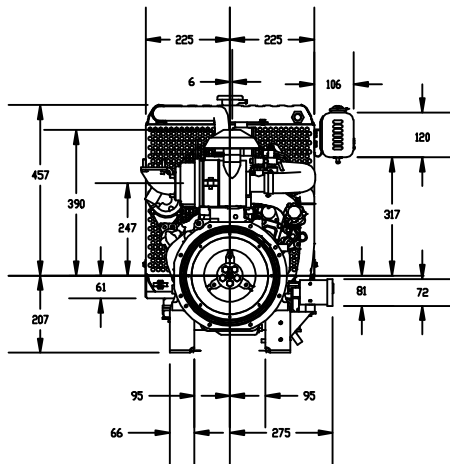
**NOTES:**

1. measurements are taken from the cylinder block rear and the crankshaft
2. dimensions for the upgraded control panel are larger than the panel in the model
3. the flywheel housing will be different based upon the spec design of the engine

CAREER



SCALE 0.125



|  |            |
|--|------------|
| YANMAR CO., LTD.<br>YANMAR AMERICA CORP. |            |
| ENGINEER                                 |            |
| ENGINEER                                 | SPECIALIST |
| CHECKER                                  | DESIGN/DRW |
| MODEL                                    |            |
| QTY                                      |            |

|           |                 |           |            |
|-----------|-----------------|-----------|------------|
| PART NAME | OUTLINE DRAWING | PART CODE | 2TNV70-KIT |
|-----------|-----------------|-----------|------------|