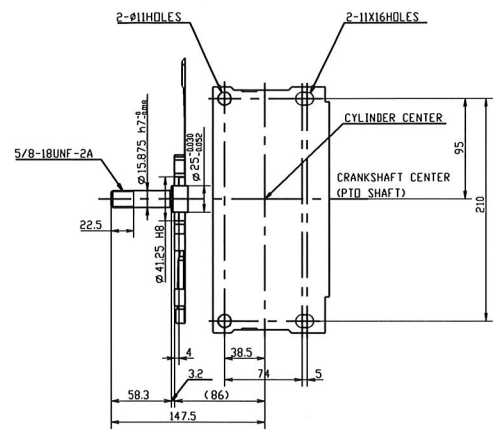
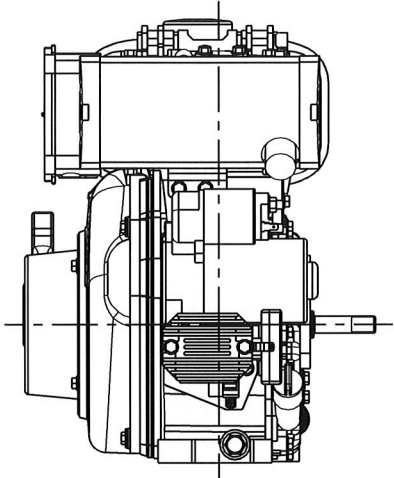
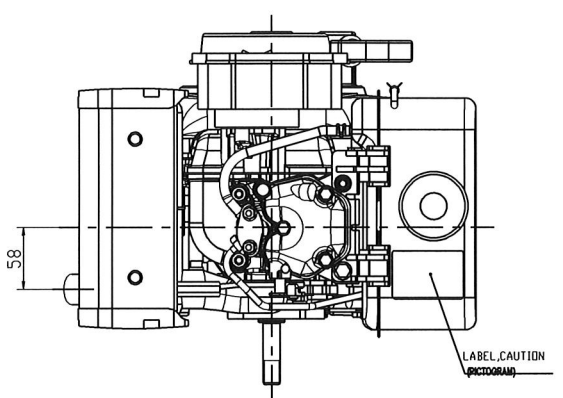


REQ. TOL.	DRIFT ANG.	PURCHASING SPECIFICATION		REQUEST FOR APPROVAL		DELIVERY DRAWING		INSPECTING STANDARD				QC-PROCESS		L-CHIP	ANC-CHIP	TOL. DEC.		GT.CODE	AND/RADIAL	CAREER
		OUTSIDE	INSIDE	5 TO	10 TO	18 TO	30 TO	120 MAX	250 TO	400 TO	800 TO	1600 TO	0.5 TO			1000 TO	10 MAX			

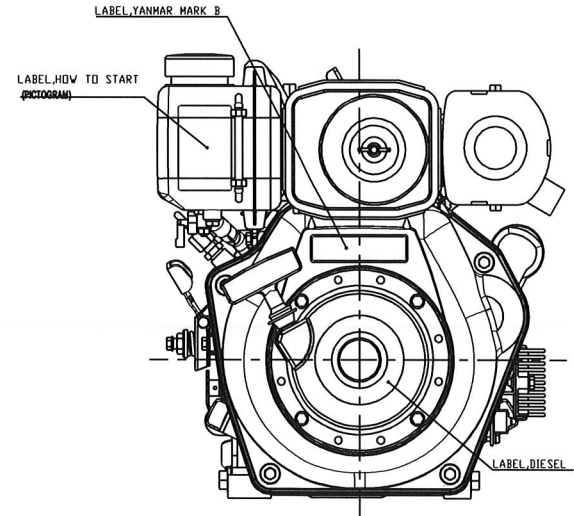
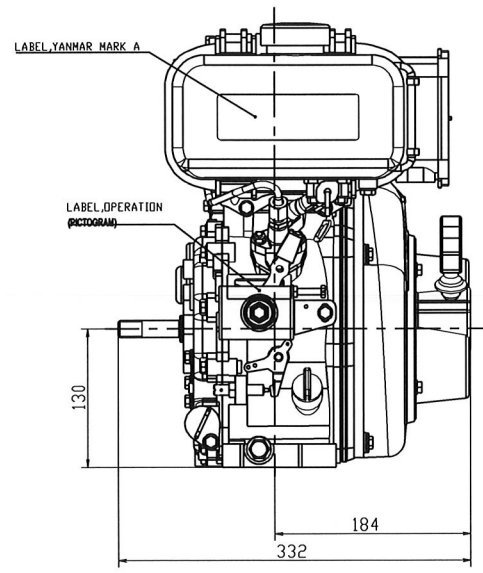
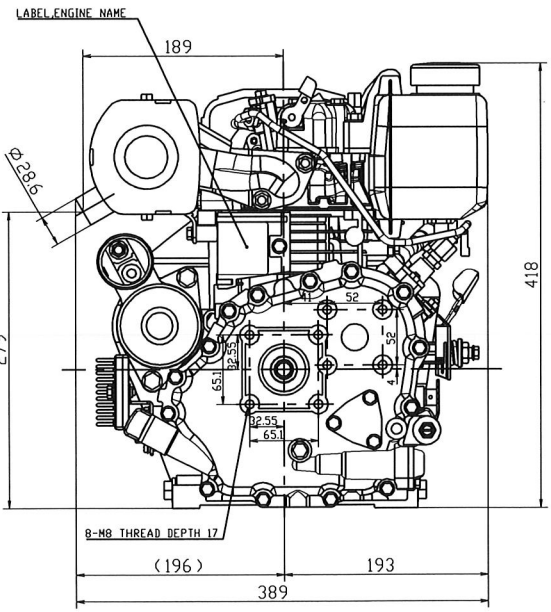


ENGINE MOUNTING PLATE AND PTO SHAFT SEEN THROUGH FROM THE TOP OF THIS ENGINE

With respect to the use of environmentally hazardous substances for the parts, the substances to use shall conform to the instructions of Use for Environmentally Hazardous Substances.

3D-CAD

NOTICE
CONFIDENTIAL
SECRET
RESTRICTED
INTERNAL USE ONLY
EXTERNAL USE ONLY
NO RELEASE
NO DISSEMINATION
NO EXPORT
NO REPRODUCTION
NO DISTRIBUTION
NO PUBLICATION
NO SALE
NO TRANSFER
NO ASSIGNMENT
NO LICENSING
NO REVERSE ENGINEERING
NO DECONSTRUCTION
NO REUSE
NO RECYCLING
NO DISPOSAL
NO OTHER USE



WEIGHT (RAW)	(g)	kg	MANAGER		MANAGER	
WEIGHT (CALC.)	(g)	kg	SCALE		FREE	
S. ENGINEER	MANAGER	MODEL	MATERIAL			
CHECKED	SPECIALIST	QTY	OUTLINE			
DESIGNED	DRAWN	DATE/Y.M.D	NAME	L48N5-PETM16YI OUTLINE		
R. Tanaka	H. Ogawa	01 JUN 2010				
YANMAR			CODE	B2-14720-0240		REV. A1
POWER SYSTEM OPERATIONS DIV., YANMAR CO., LTD.						