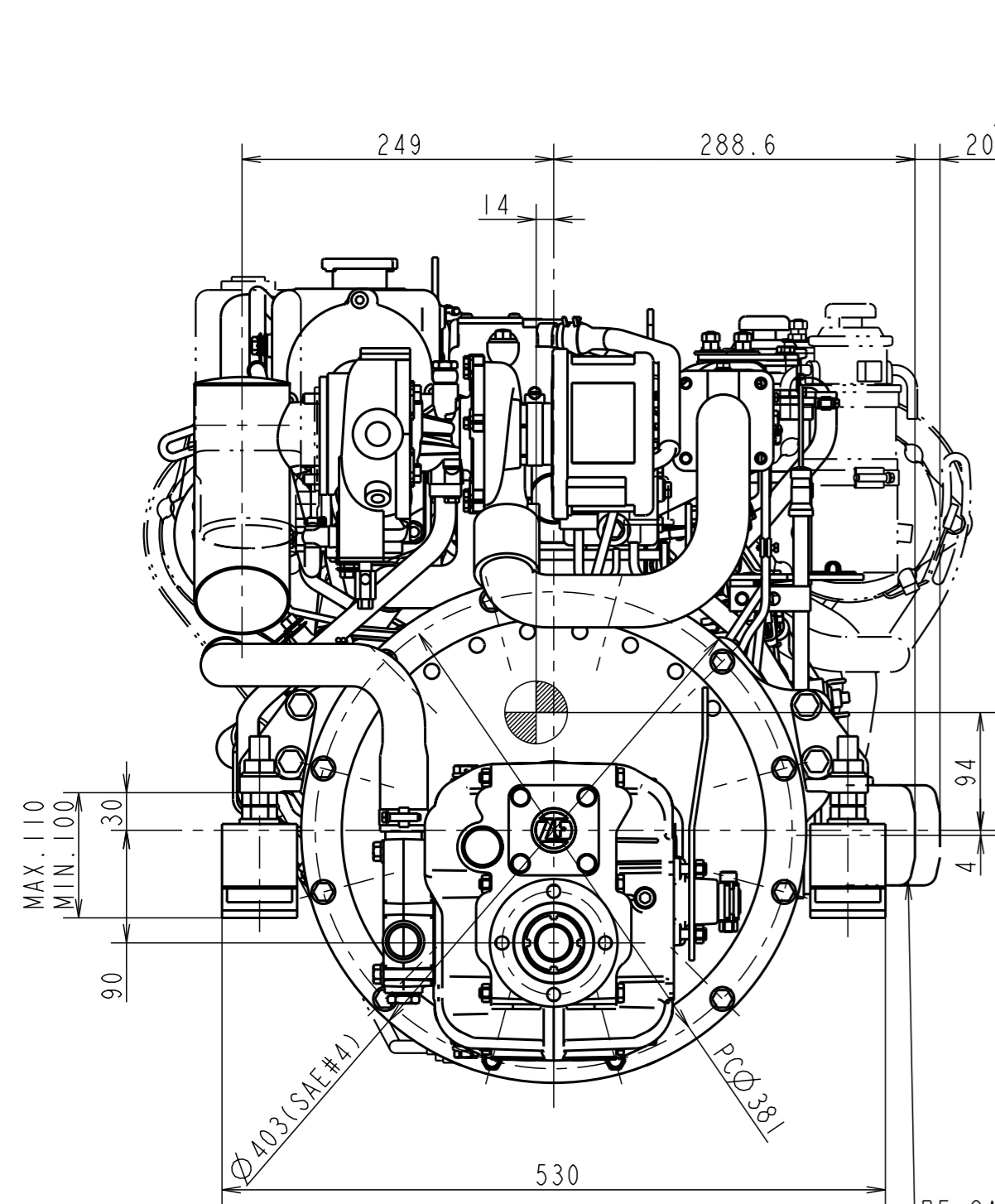
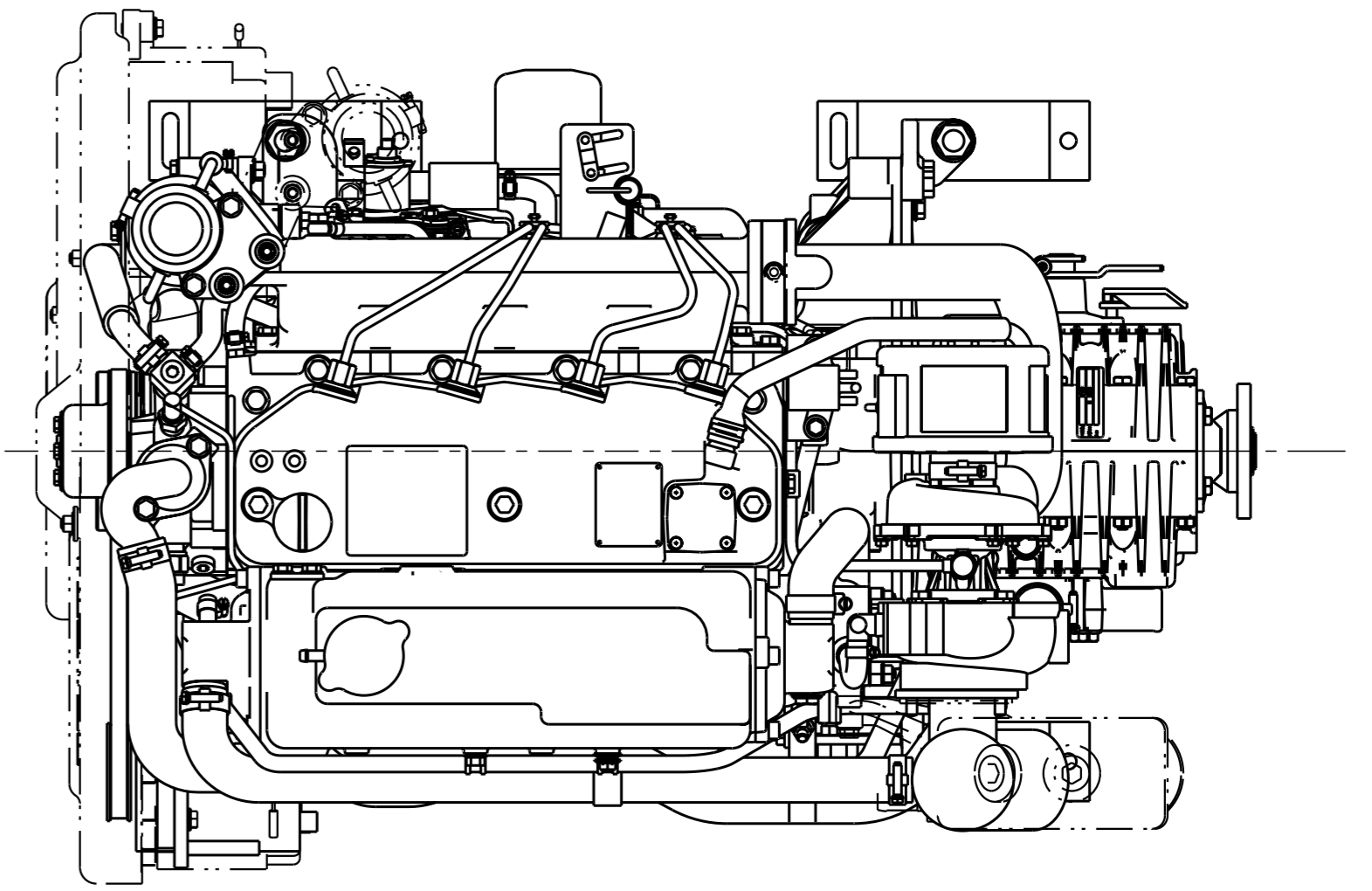
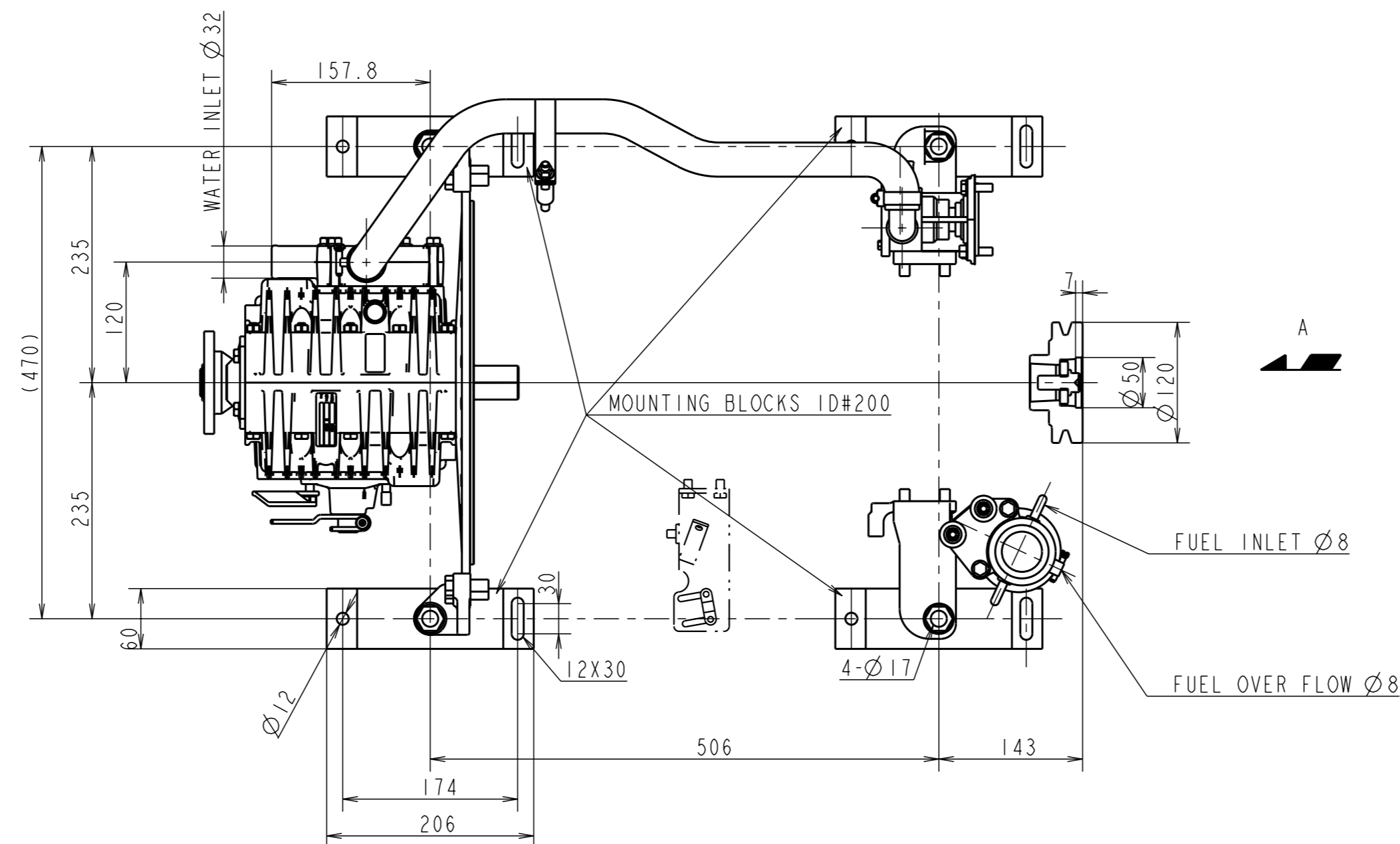
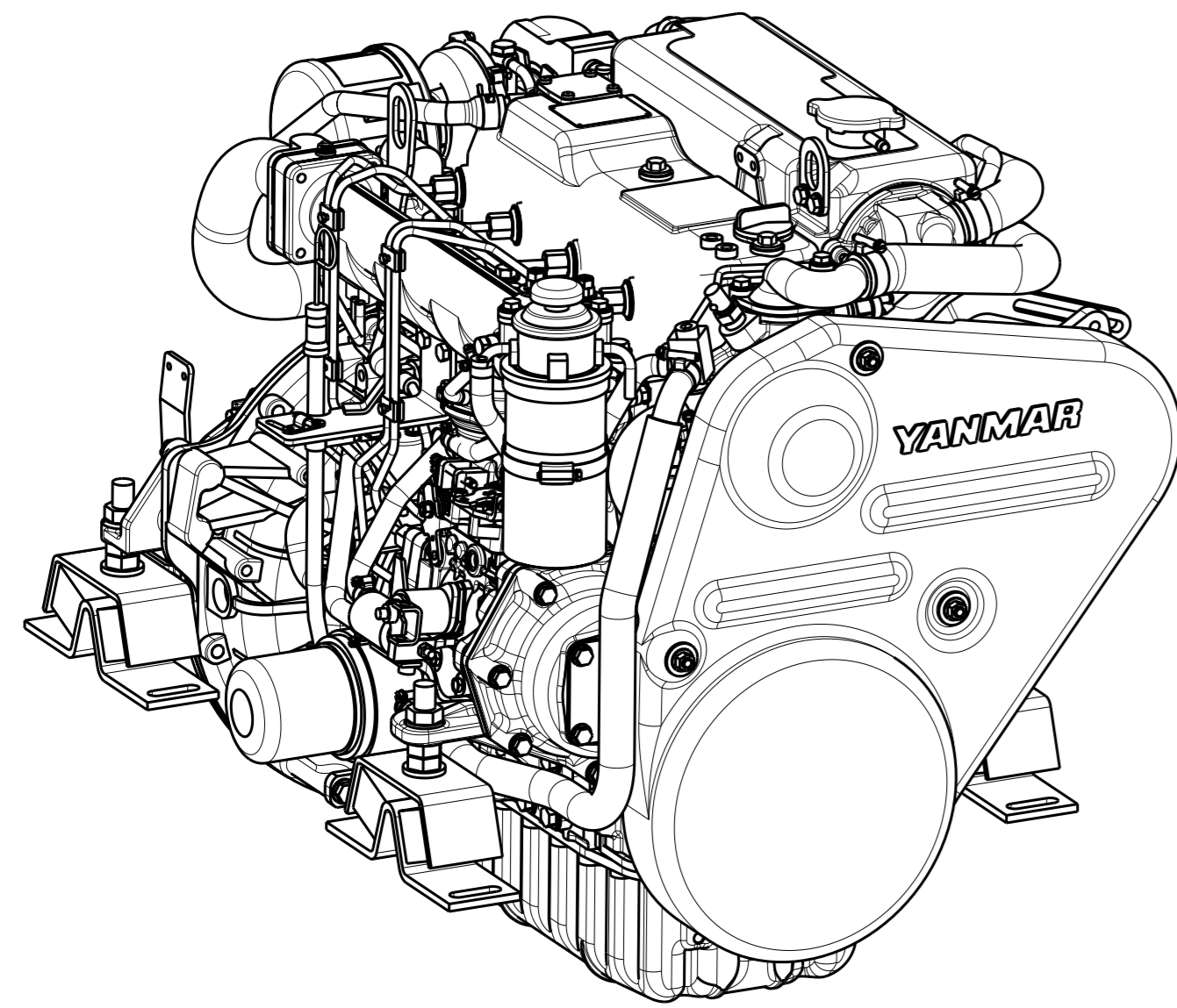
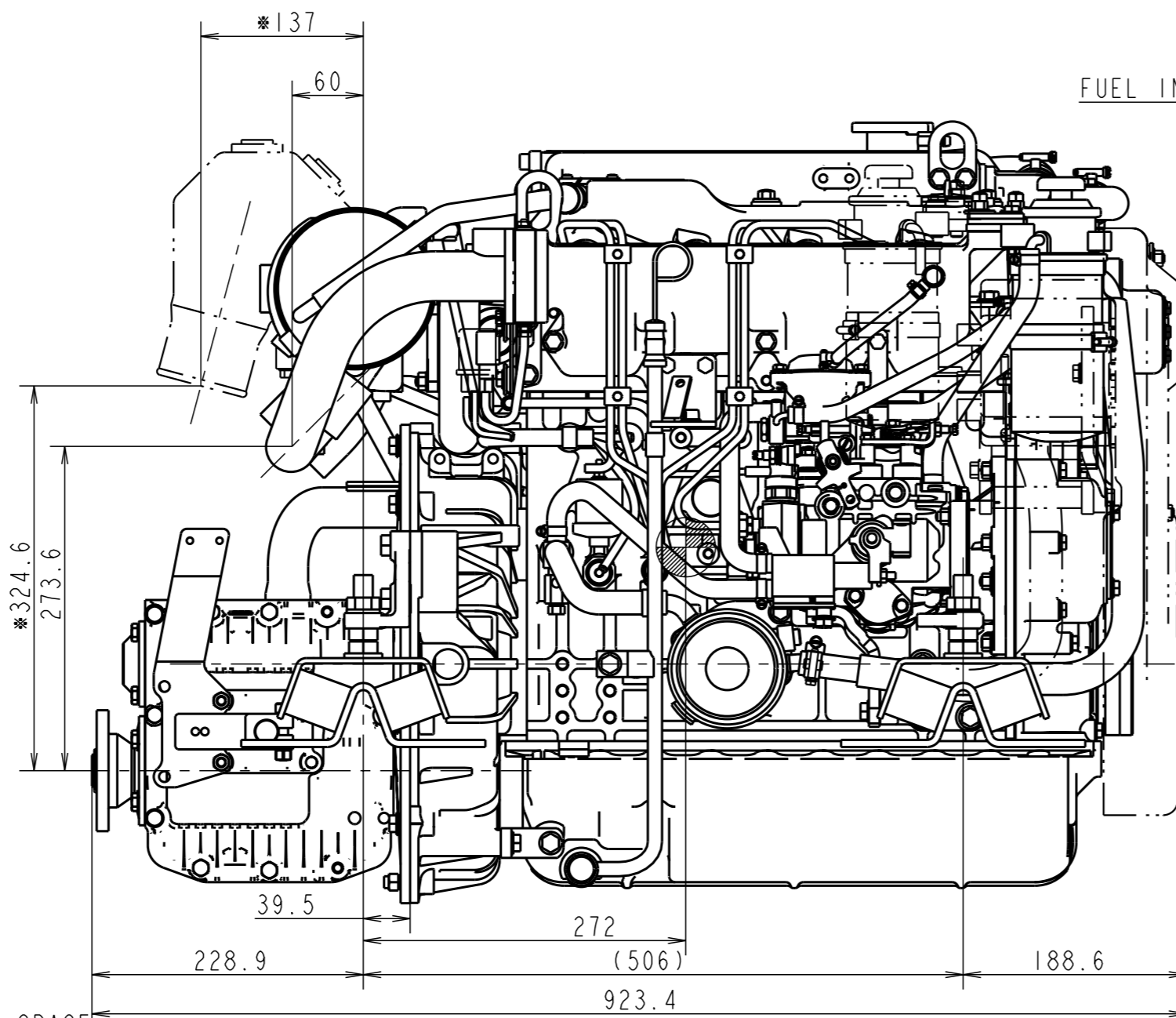


CAREER

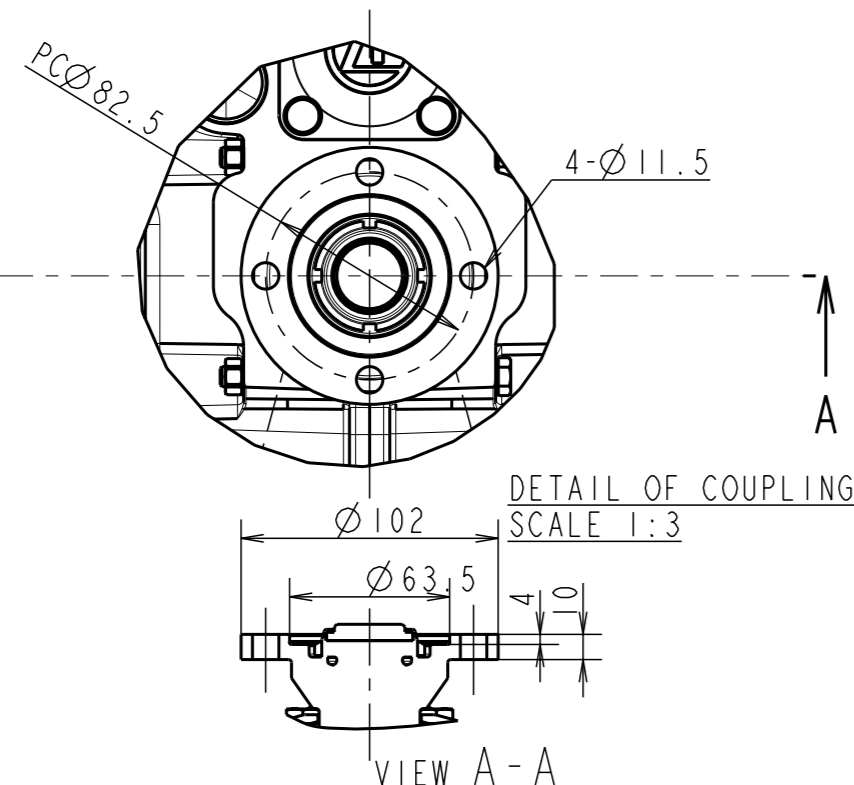
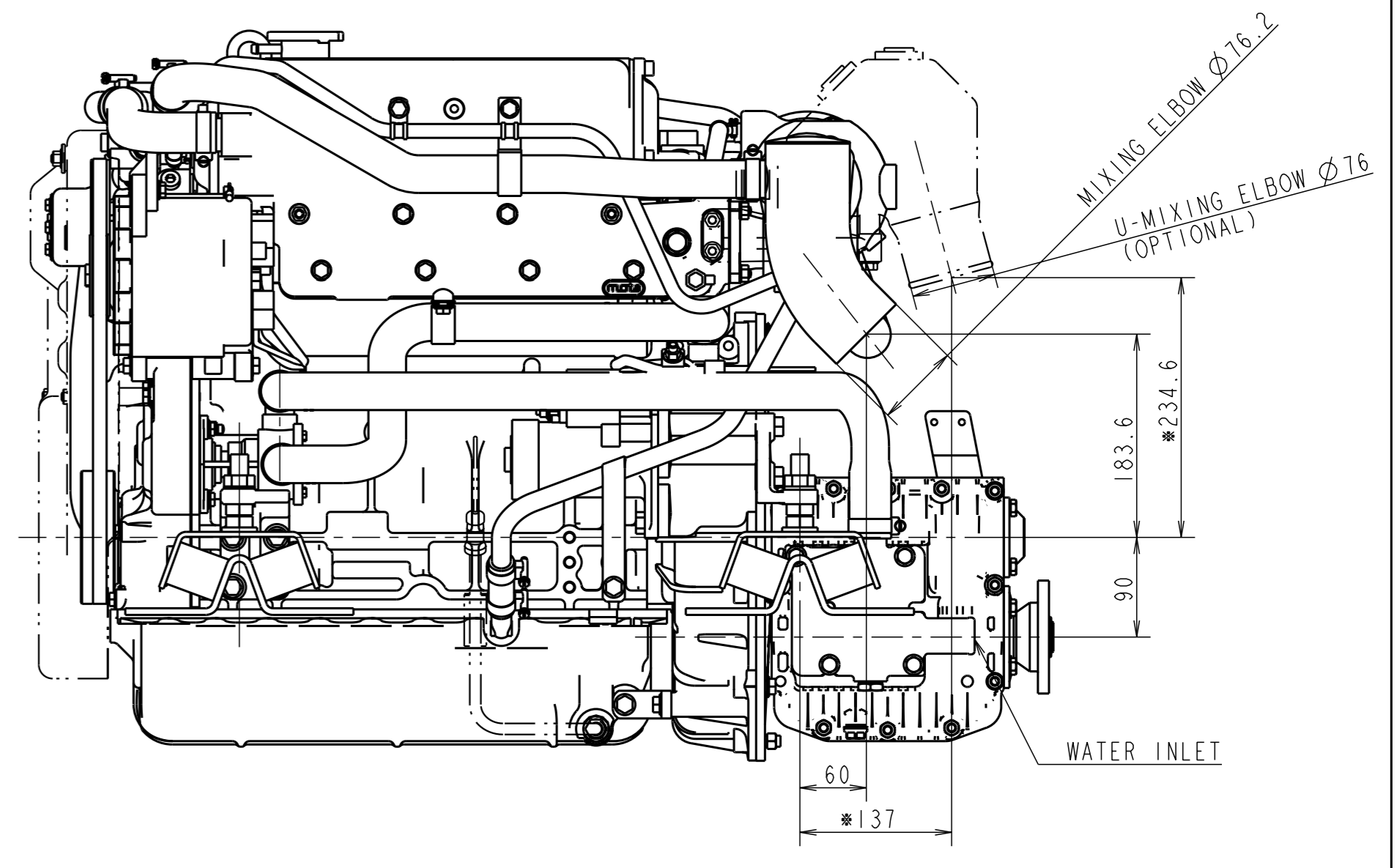
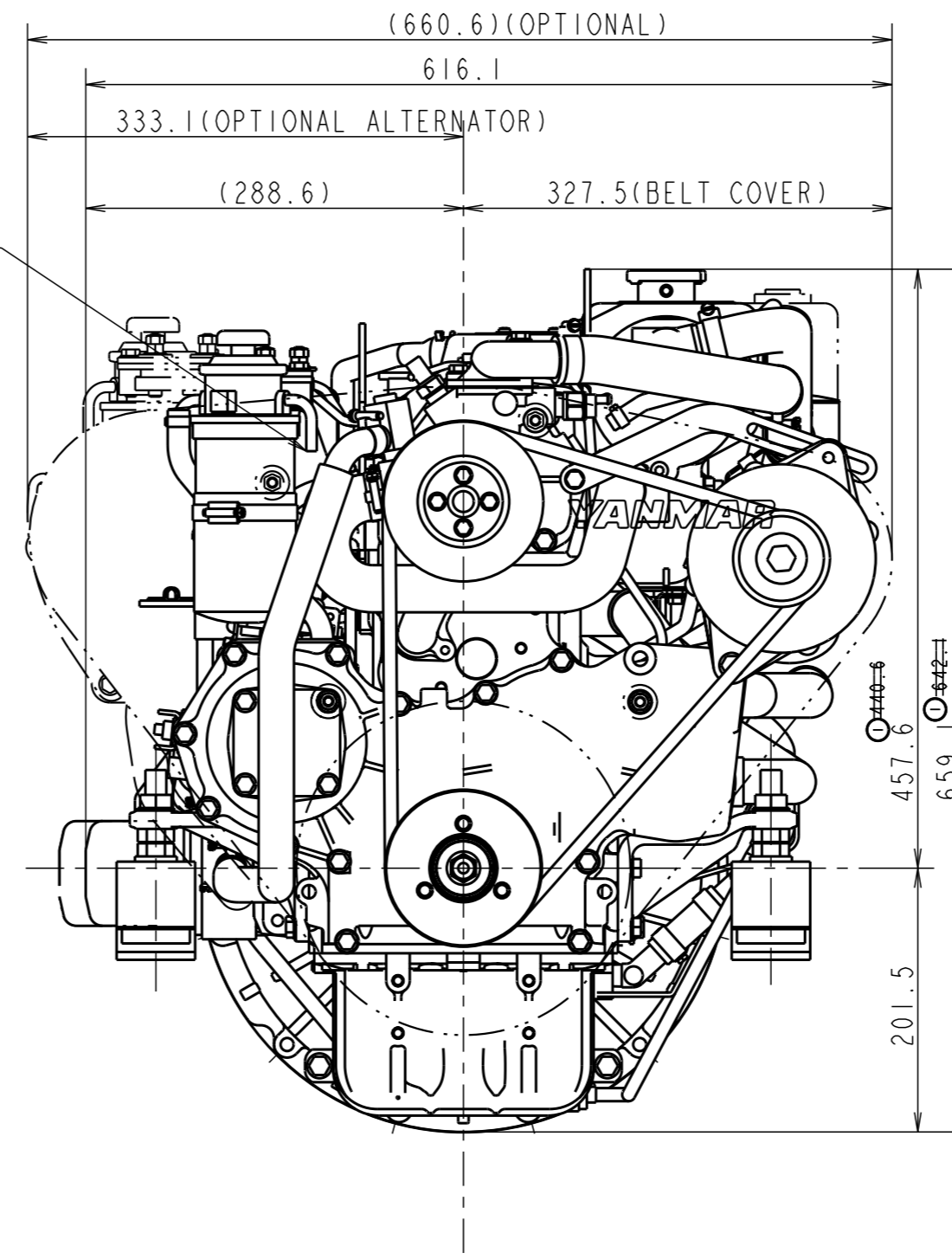
ISSUE THE DRAWING FOR MASS PRODUCTION. (YDSBD-05003)
 REV. 1 (19th, May, 2005)
 CHANGE THE OVERALL HEIGHT BY CHANGING TO THE HEAT EXCHANGER OF 4JH4-HTE (YDSBD-05004) (NISHINO)



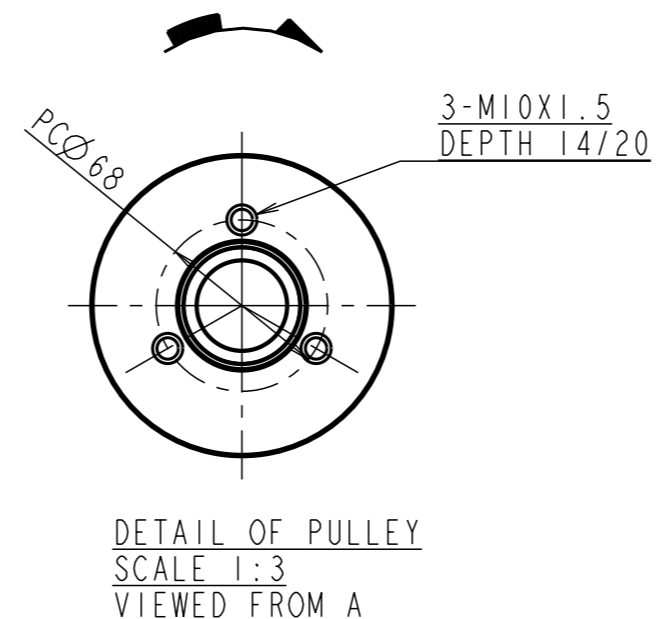
SPACE FOR REMOVAL OF OIL FILTER



BE CAREFUL SPACE BETWEEN ENGINE BED AND OIL FILTER.



DIRECTION OF ROTATION



- NOTE
1. DWG. SHOWS MOUNTING BLOCKS AT ORIGINAL HEIGHT. ENGINE WEIGHT WILL COMPRESS BLOCKS BY 4MM (APPROX).
 2. MOUNTING BLOCKS ARE EQUIPPED FOR STANDARD ACCESSORY.
 3. THE FIGURES MARKED WITH * SHOW THE DIMENSIONS WITH U-MIXING ELBOW, OR OPTIONAL COUPLING.
 4. ● SHOWS THE CENTER OF GRAVITY.

SPECIFICATIONS		4JH4-TE
Model		4JH4-TE
Continuous Power (ISO 8665)	kW/min ⁻¹	50.2/3101
Fuel Stop Power	Propeller shaft (ISO 8665) kW/min ⁻¹	53.0/3200
	Crankshaft (ISO 8665) kW/min ⁻¹	55.2/3200
Reduction ratio		2.15 2.70
Dry mass	kg(lb.)	Approx. 230(507)
Direction of Crankshaft rotation		Counter-clockwise

CHECKED		SEC. MANAGER	MODEL	4JH4-TE	SCALE	1:5 (1:3)	
DESIGNED		SPECIALIST	QTY	1	MATERIAL		
DRAWN		DATE: Y.M.D	4JH4-TE OUTLINE (WITH ZF30M MARINE GEAR)				
M.Nishino		K.Shimizu	2005.4.20		REV. 1		
YANMAR					CODE	B2-29671-0890	
YANMAR CO., LTD. DEVELOPMENT DEPT.						DRAW SIZE	A1

3D-CAD

NOTICE	GEOMETRICAL TOLERANCE	SYMBOL
KIND OF TOLERANCE	SYMBOL	
STRAIGHTNESS TOLERANCE	SYMBOL	
CIRCULARITY TOLERANCE	SYMBOL	
PROFILE OF LINE TOLERANCE	SYMBOL	
FLATNESS TOLERANCE	SYMBOL	
CYLINDRICITY TOLERANCE	SYMBOL	
PROFILE TOLERANCE OF SURFACE	SYMBOL	
PARALLELISM TOLERANCE	SYMBOL	
PERPENDICULARITY TOLERANCE	SYMBOL	
ANGULARITY TOLERANCE	SYMBOL	
POSITIONAL TOLERANCE	SYMBOL	
COAXIALITY TOLERANCE	SYMBOL	
SYMMETRY TOLERANCE	SYMBOL	
CHIRALITY TOLERANCE	SYMBOL	
LOCATION TOLERANCE	SYMBOL	
FORM TOLERANCE	SYMBOL	