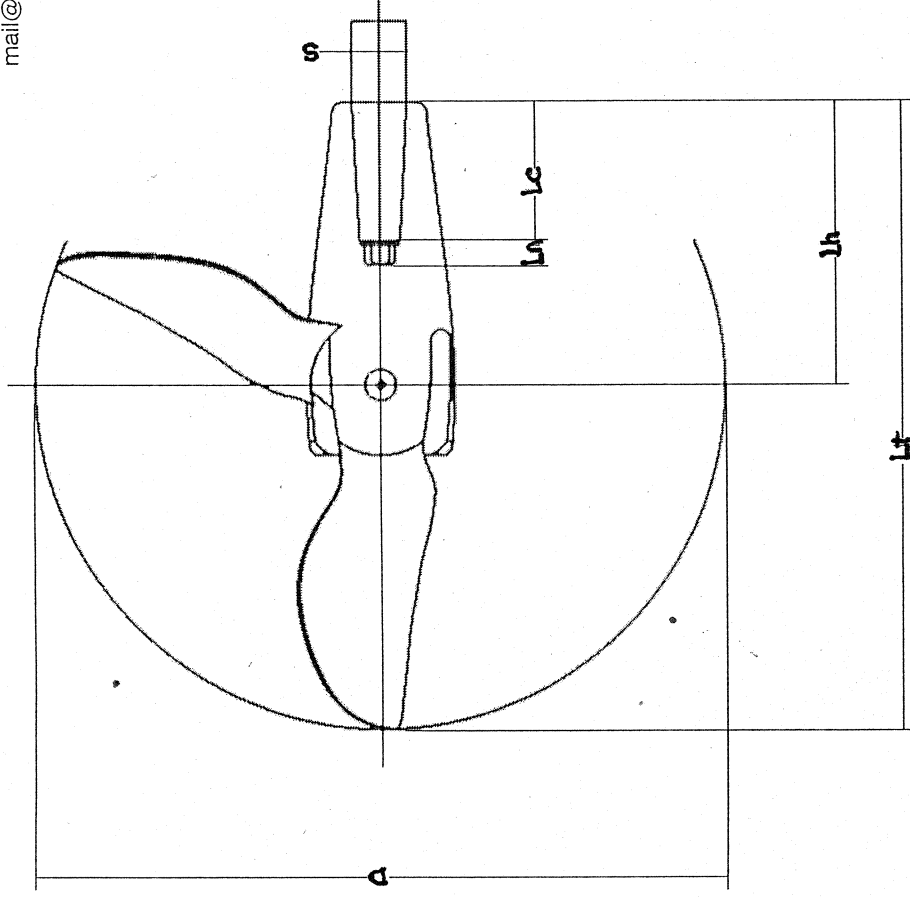


## Steel Team A/S

Vinkelvej 15  
DK-6100 Haderslev  
Denmark  
Phone: +45 73 52 53 54  
Fax: +45 73 52 53 55  
Reg.No.: 243.411  
www.gori-propeller.dk  
mail@gori-propeller.dk

2001/01/05 SE

### Measurement table 3-blade Gori folding propeller



D	S	Lt	Lh	Lc	Ln
15" - 381mm	30 mm	347 mm	150 mm	80 mm	30 mm
16,5" - 419 mm	30 mm	367 mm	150 mm	80 mm	30 mm
18" - 457 mm	40 mm	413 mm	184 mm	90 mm	40 mm
20" - 508 mm	40 mm	438 mm	184 mm	90 mm	40 mm
22" - 559 mm	50 mm	503 mm	224 mm	110 mm	50 mm
24" - 610 mm	50 mm	530 mm	224 mm	110 mm	50 mm
26" - 660 mm	50 mm	556 mm	224 mm	110 mm	50 mm
28" - 711 mm	60 mm	619 mm	263 mm	140 mm	50 mm
30" - 762 mm	60 mm	644 mm	263 mm	140 mm	50 mm

- D- Propeller diameter
- S- Max shaft diameter depending on taper
- Lt- Total length
- Lh- Front end of hub to pivotpoint
- Lc- Length of taper/cone
- Ln- Maximum length of nut

Gori propeller reserves the right to alter, modify or replace any specification or design feature without prior notice.  
All measurements are approximate.