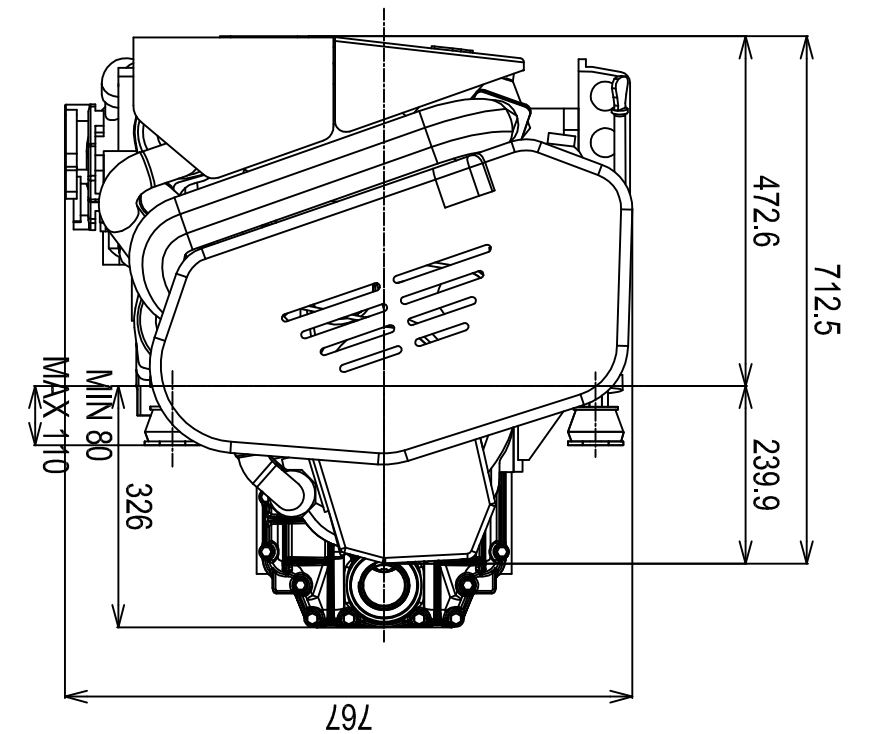
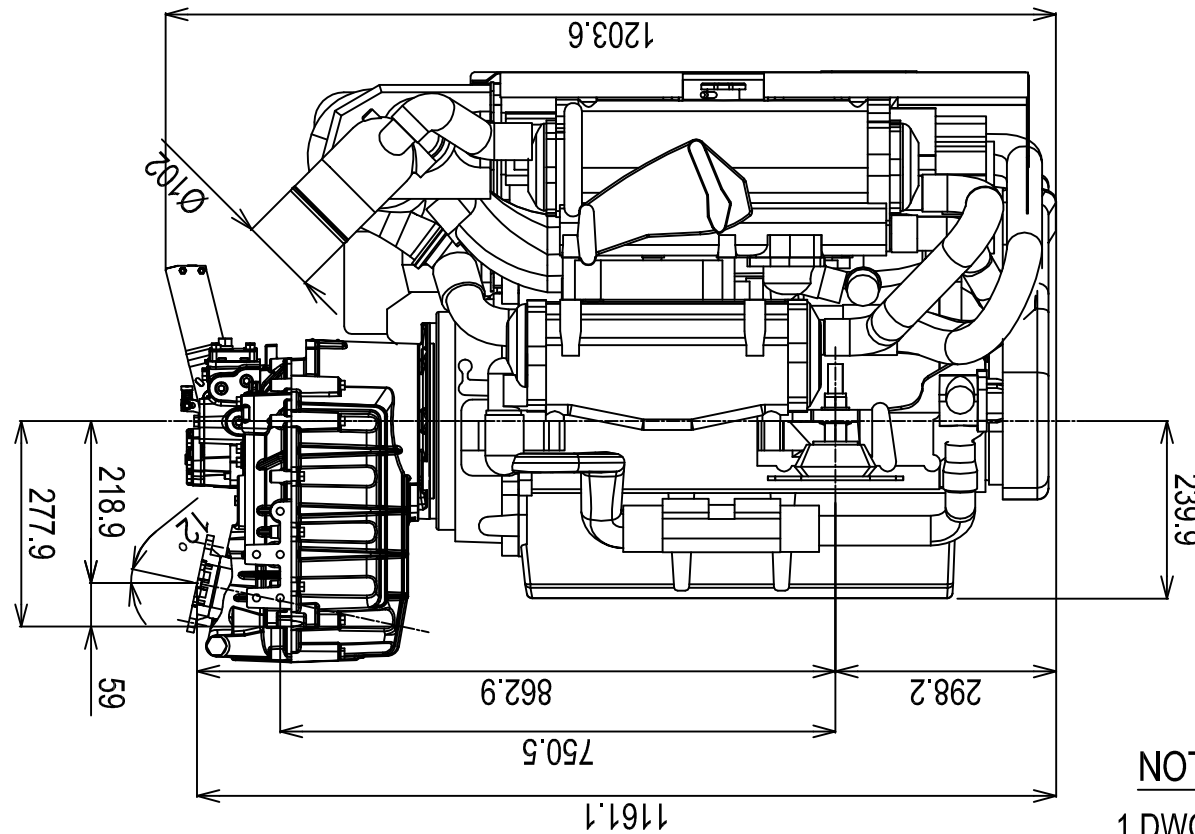
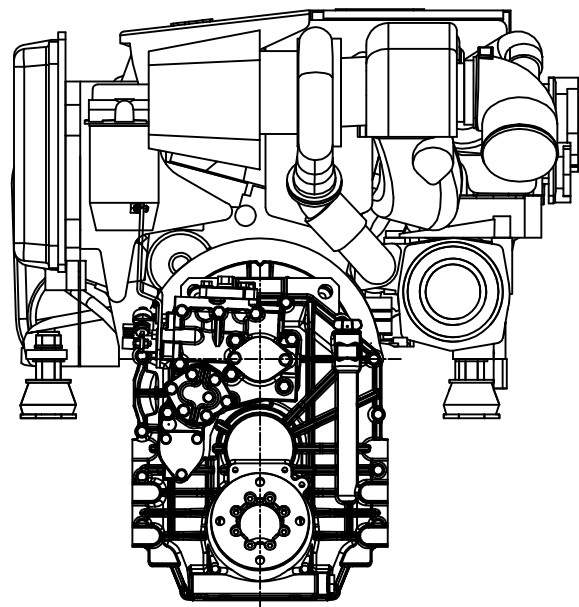
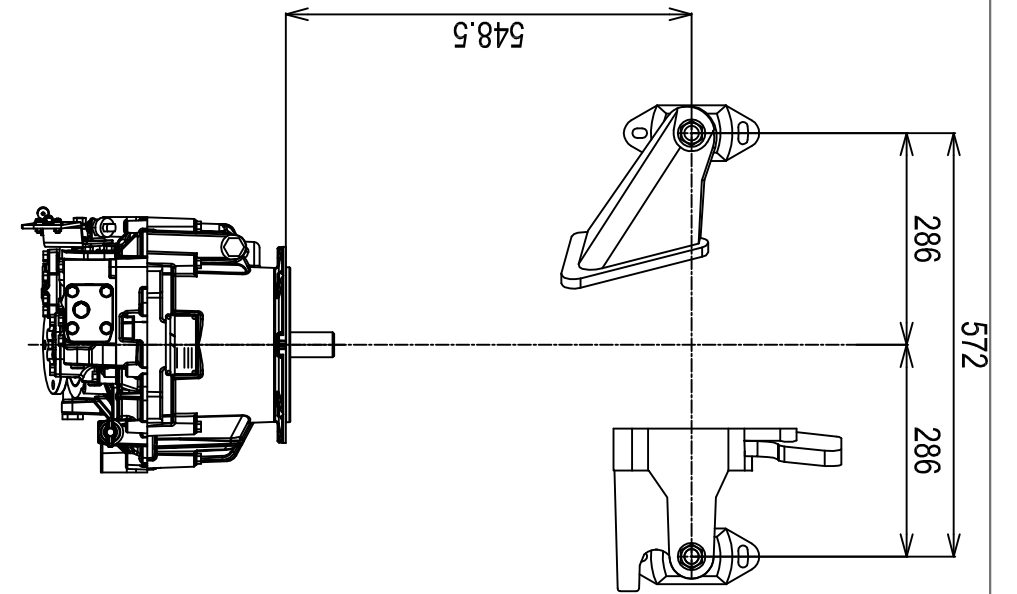
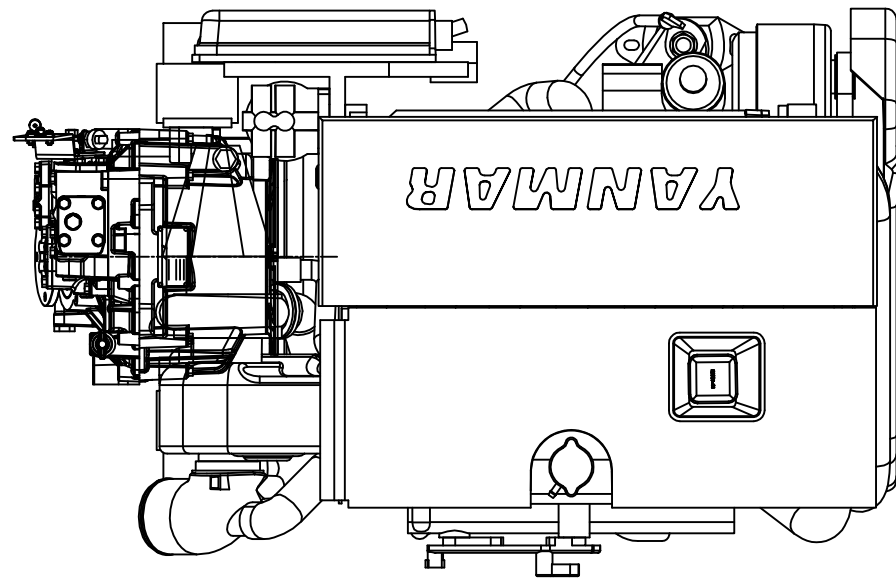
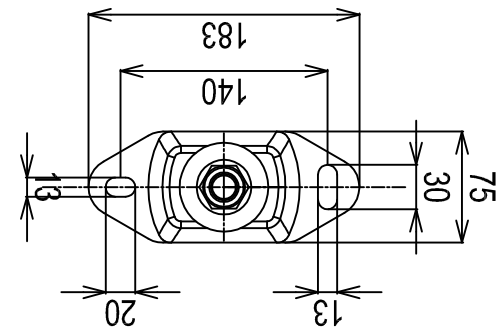
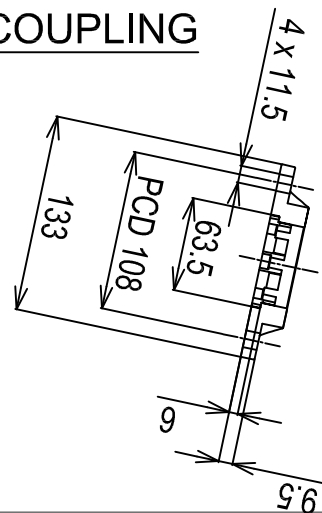


DETAIL OF MOUNTING BLOCK



DETAIL OF COUPLING



**PRELIMINARY COPY
ONLY
NOT TO BE USED FOR PRODUCTION**

NOTE:

- 1.DWG.SHOWS MOUNTING BLOCKS AT ORIGINAL HEIGHT. ENGINE WEIGHT WILL COMPRESS BLOCKS BY 4MM(APPROX).
- 2.MOUNTING BLOCKS ARE EQUIPPED FOR STANDARD ACCESSORY.
- 3.● SHOWS THE CENTER OF GRAVITY.
- 4.FOR ADDITIONAL INSTALLATION INFORMATION AND SPECIFICATIONS PLEASE REFER TO THE YANMAR ENGINE INSTALLATION MANUAL

| | | |
|-------------|------------------------------|--------------------|
| Series: BY | Engine: 6BY2-260(220)xKMH50V | Release: R2009-01A |
| Scale: 1:10 | Date: 27-08-09 | Dimensions: mm |

