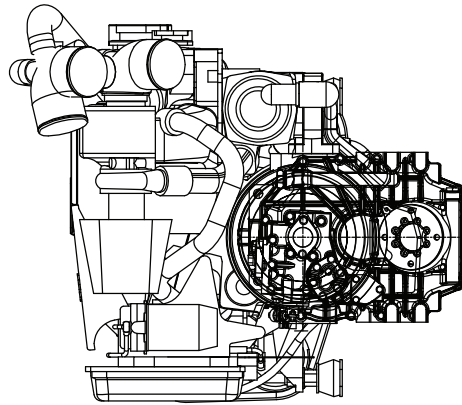
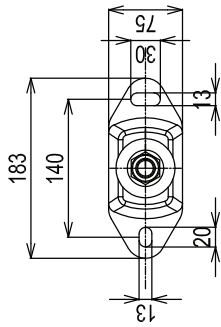
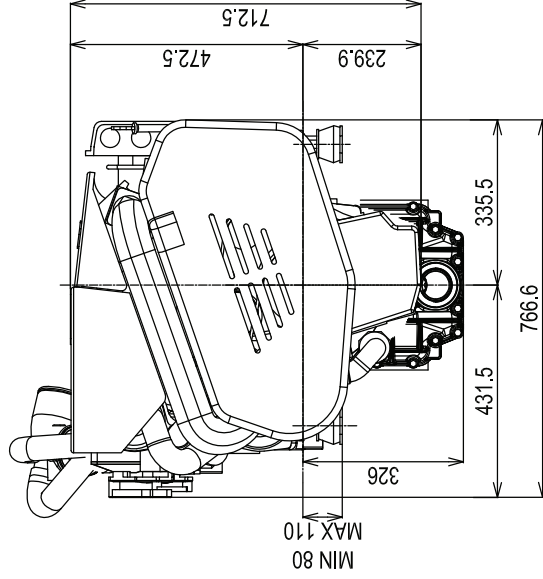
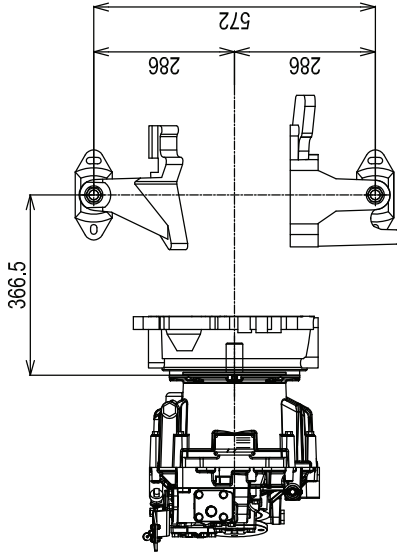
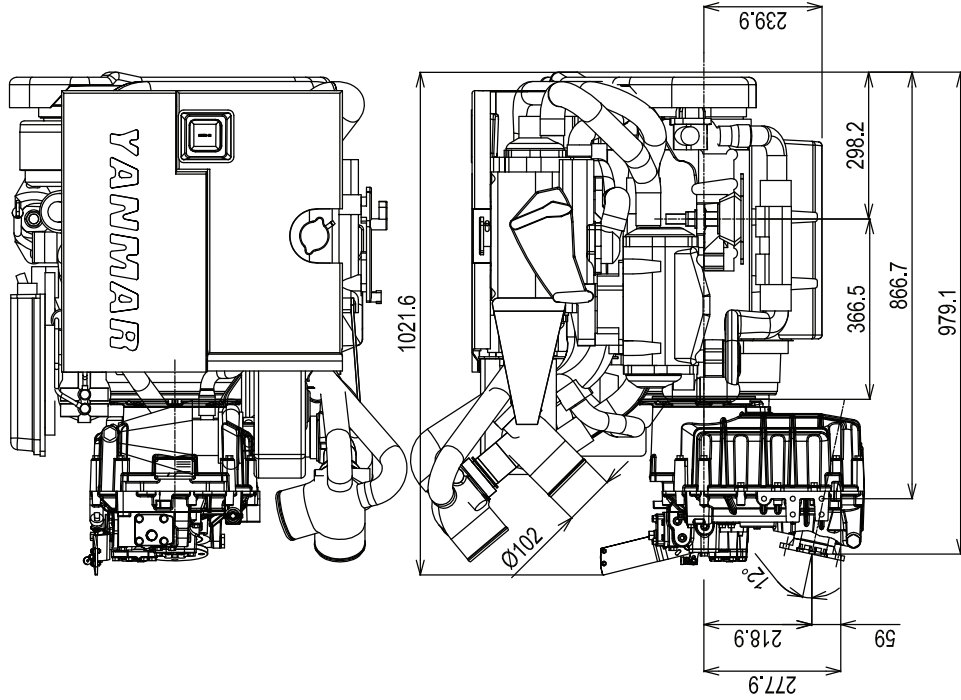
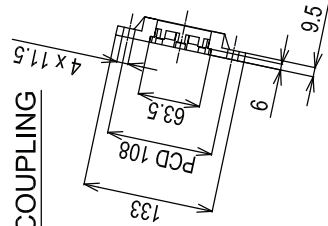


DETAIL OF MOUNTING BLOCK



DETAIL OF COUPLING



NOTE:

1. DWG. SHOWS MOUNTING BLOCKS AT ORIGINAL HEIGHT. ENGINE WEIGHT WILL COMPRESS BLOCKS BY 4MM (APPROX).
2. MOUNTING BLOCKS ARE EQUIPPED FOR STANDARD ACCESSORY.
3. Ⓞ SHOWS THE CENTER OF GRAVITY.
4. FOR ADDITIONAL INSTALLATION INFORMATION AND SPECIFICATIONS PLEASE REFER TO THE YANMAR ENGINE INSTALLATION MANUAL

**PRELIMINARY COPY
ONLY
NOT TO BE USED FOR PRODUCTION**

By:	Engine:	Release:
BY	4BY2-180(150)xKMH50V	R2008-01-A
Scale:	Date:	Dimensions:
1:10	16-08-10	mm

