



ARCTIC STEEL



DEMAND THE BEST

STRENGTH RELIABILITY PERFORMANCE

Cast stainless steel water strainers

Manufactured from the highest quality electropolished 2205 stainless steel

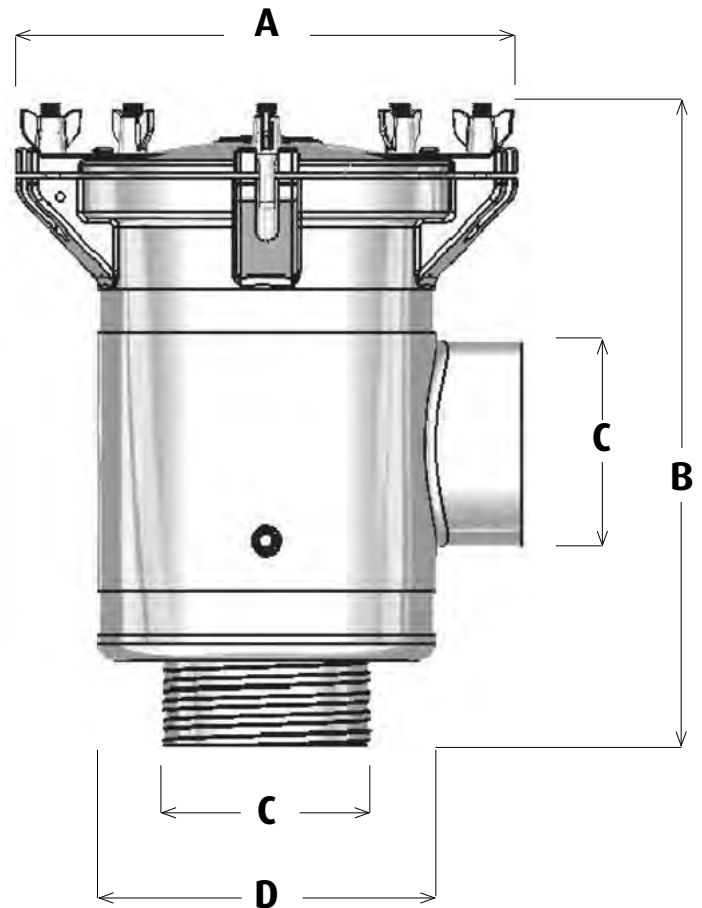
Arctic Steel water strainers are designed to be superior in every aspect. There is no welding to corrode in these robust one piece cast strainers. The inherent swirl action created by the offset outlet is designed to quickly scavenge air whilst maximising the used area of the rugged full height basket. The efficient lid design ensures safe, quick and easy access for maintenance. Suitable for marine engines, generators and aircon units.

Bottom In Side Out Range

- Electro-polished AISI 2205 cast stainless steel body.
- Solid electro-polished 316 stainless steel lid.
- Secured by 5 x 316 wing nuts for safe, quick and easy access.
- Swing down 316 eye bolts eliminates need to remove nuts.
- BSP or NPT thread available.
- Full height, high impact resistant ABS basket.
- Cast anode connection point to combat electrolysis.

Available Options:

- Interchangeable clear lid, poly carbonate with 316 stainless steel ring.
- 316 Stainless Steel basket.
- 316 stainless steel side mounting brackets and extension arms.



Size Inlet Thread / Outlet Thread	Weight Kg Solid	Flow Rate 0.1 Bar L/Min	Flow Rate 1 Bar L/Min	Lid Width A mm	Height B mm	Thread Size C mm	Body Width D mm
1" M/F	3.5	138	431	141	212	1" / 25mm	95
1.5" M/F	3.5	324	1030	141	212	1.5" / 38mm	95
2" M/F	6.5	485	1615	206	272	2" / 50mm	140
2.5" F/F	6.5	719	2245	206	272	2.5" / 63mm	140
3" F/F	9.5	984	3080	230	332	3" / 75mm	164
4" F/F	20	1898	5850	260	474	4" / 100mm	220
6" F/F	30	3416	10739	360	510	6" / 150mm	310

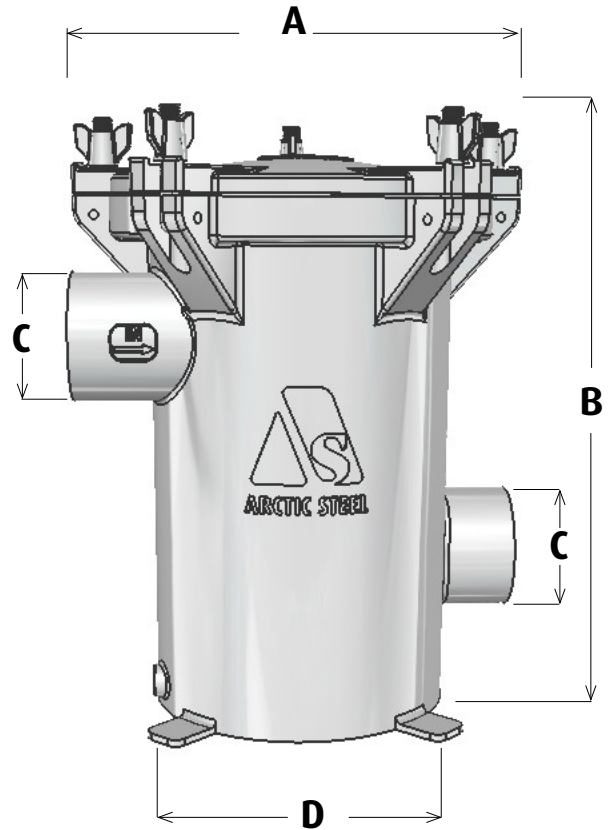
Flow rates calculated using clean ABS basket

Why Arctic Steel strainers are superior to others

All Arctic Steel water strainers are cast with 2205 stainless steel. This provides an exceptional level of corrosion resistance. Additionally our strainers undergo an electro polishing process which removes contaminants from the surface exposing the pure stainless steel, providing a rich chromium film, as is evident by the shine to our stainless steel. This gives our already robust strainers a defence against corrosion superior to others on the market.

Side In Side Out Range

- Free standing, base mounted.
- Offset inlet and outlet for improved performance.
- Electro-polished AISI 2205 cast stainless steel body.
- Solid electro-polished 316 stainless steel lid.
- Secured by 5 x 316 wing nuts for safe, quick and easy access.
- Swing down 316 eye bolts eliminates need to remove nuts.
- BSP or NPT thread available.
- 1.25" and 1.5" come standard with full height, high impact resistant ABS basket.
- 2", 2.5", 3" and 4" come standard with a full height 316 stainless steel basket.
- Cast anode connection point to combat electrolysis.
- Drain plug.
- Designed for applications that require a header tank or mounting above the waterline.



Available Options:

- Interchangeable clear poly carbonate lid with 316 stainless steel ring.
- 316 stainless steel mounting brackets and extension arms.

Size Inlet Thread / Outlet Thread	Weight Kg Solid	Flow Rate 0.1 Bar L/Min	Flow Rate 1 Bar L/Min	Lid Width A mm	Height B mm	Thread Size C mm	Body Width D mm
1.25" F/F	6.2	167	552	198	269	1.25" / 32mm	133
1.5" F/F	6.2	193	620	198	269	1.5"/38mm	133
2" F/F	6.2	253	802	198	269	2"/50mm	133
2.5" F/F	9.5	354	1130	230	329	2.5"/63mm	164
3" F/F	9.5	845	2785	230	329	3"/75mm	164
4" F/F	20	1729	5452	260	471	4"/100mm	220

Arctic Steel Accessories

Arctic Steel also produces a range of high quality spare parts and stainless steel accessories to ensure your engine room systems have the best available fittings.



Distributed by