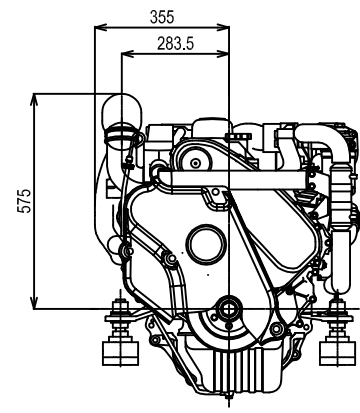
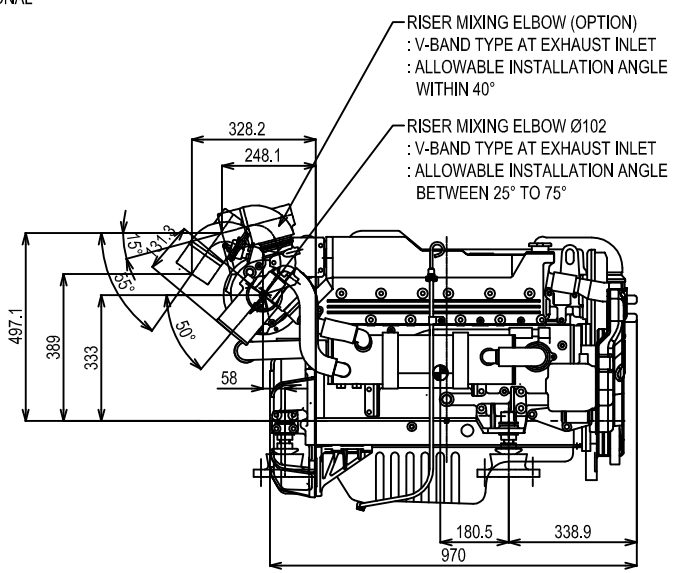
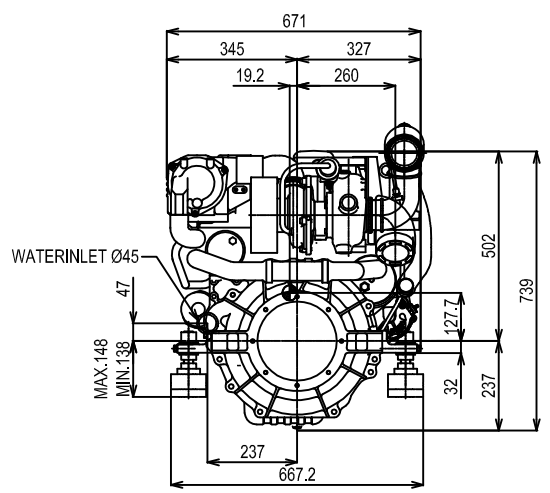
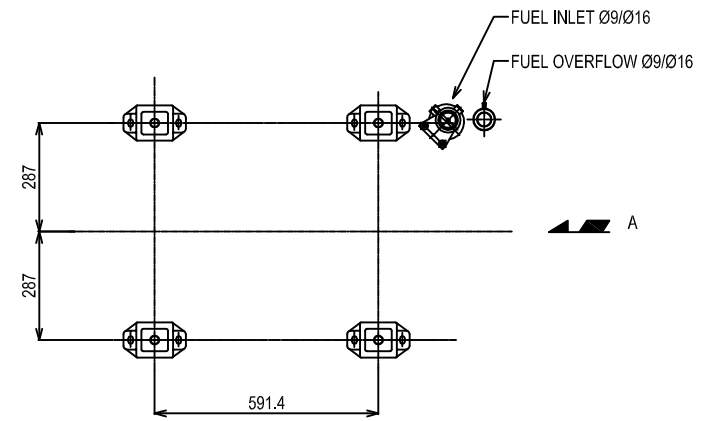
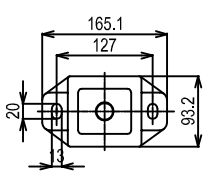


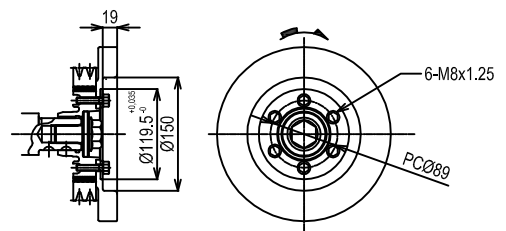
SPLINE SAE 20/40	
NUMBER OF TEETH	26
DIAMETRAL PITCH	20/40
PRESSURE ANGLE	30°
SPLINE TYPE	FLAT ROOT
CLASS	t6



DETAIL OF MOUNTING BLOCK



DIRECTION OF ROTATION



DETAIL OF PULLEY VIEWED FROM A

NOTE:

- 1.DWG.SHOWS MOUNTING BLOCKS AT ORIGINAL HEIGHT. ENGINE WEIGHT WILL COMPRESS BLOCKS BY 4MM(APPROX).
- 2.MOUNTING BLOCKS ARE EQUIPPED FOR STANDARD ACCESSORY.
- 3.● SHOWS THE CENTER OF GRAVITY.
- 4.FOR ADDITIONAL INSTALLATION INFORMATION AND SPECIFICATIONS PLEASE REFER TO THE YANMAR ENGINE INSTALLATION MANUAL

Serial: LP	Engine: 6LPA-STP2xBOBTAIL	Release: R2008-01
Scale: 1:10	Date: 01-10-08	Dimension: mm

