

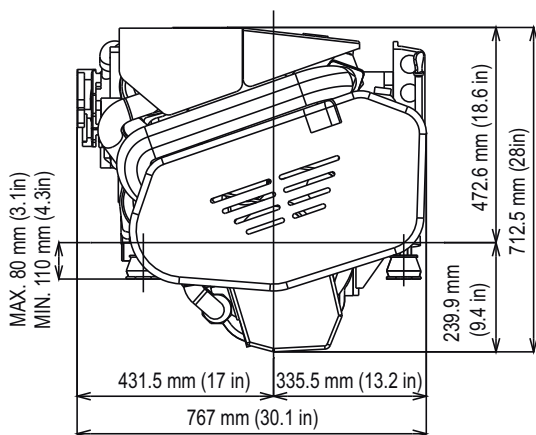
Yanmar type 6BY2-220

Configuration	In line, 4-stroke cycle, water cooled diesel engine
Maximum output at crankshaft *	162 kW (220 mhp) / 4000 rpm
Continuous rating output at crankshaft	124 kW (167 mhp) 3600 rpm
Displacement	2.993 L (183 cu in)
Bore x stroke	84 mm x 90 mm (3.31 in x 3.54 in)
Cylinders	6, Common Rail with vertical injectors
Combustion system	Direct injection
Aspiration	Wastegated, turbocharged with intercooler
Starting system	Electric starting 12 V - 2 kW
Alternator	12 V - 150 A
Cooling system	Fresh water cooling with heat exchanger, and sea water cooled charge air cooler
Lubrication system	Totally enclosed, forced lubricating system with pump
Can Bus	According to NMEA 2000 protocol
Direction of rotation (crankshaft)	Counter clockwise viewed from flywheel side
Dry weight without gear	315 kg (694 lbs)
Environmental	EU RCD, US EPA Tier2, BSO II & EMC
Engine mounting	Rubber type antivibration mounts

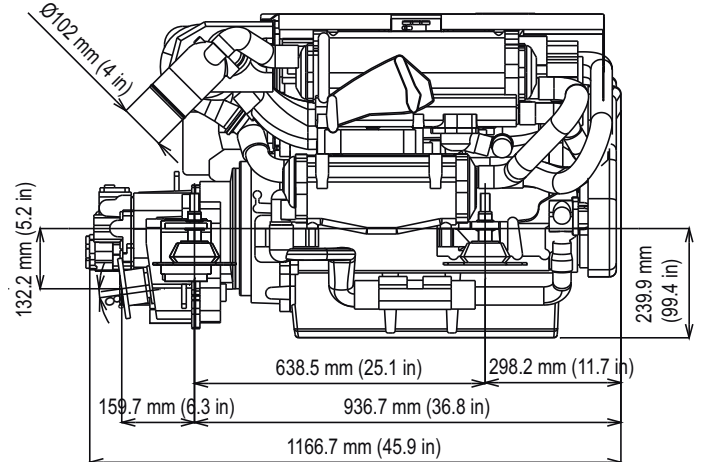
NOTE: Fuel condition: Density at 15°C = 0.84 g/cm³; 1kW = 1.3596 mhp = 1.3410 HP
 * Fuel temperature 40°C at the inlet of the fuel injection pump (ISO 8665 : 2006)

Dimensions (For detailed line-drawings, please refer to our web-site: www.yanmarmarine.com or contact your supplier)

Front view

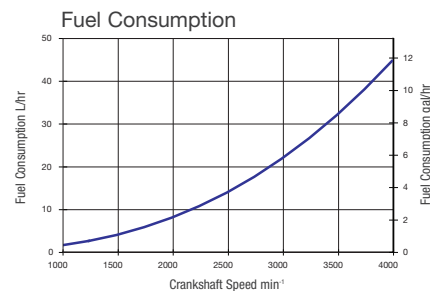
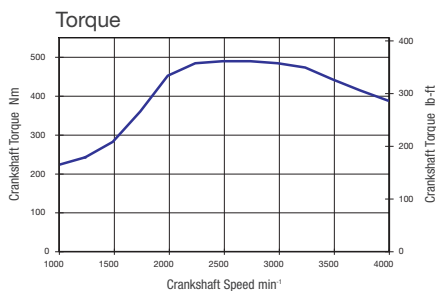
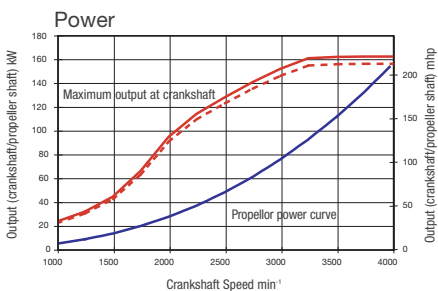


Right side view



6BY2-220 with KMH50A marine gear

Performance Curves (Output is according ISO 8665)

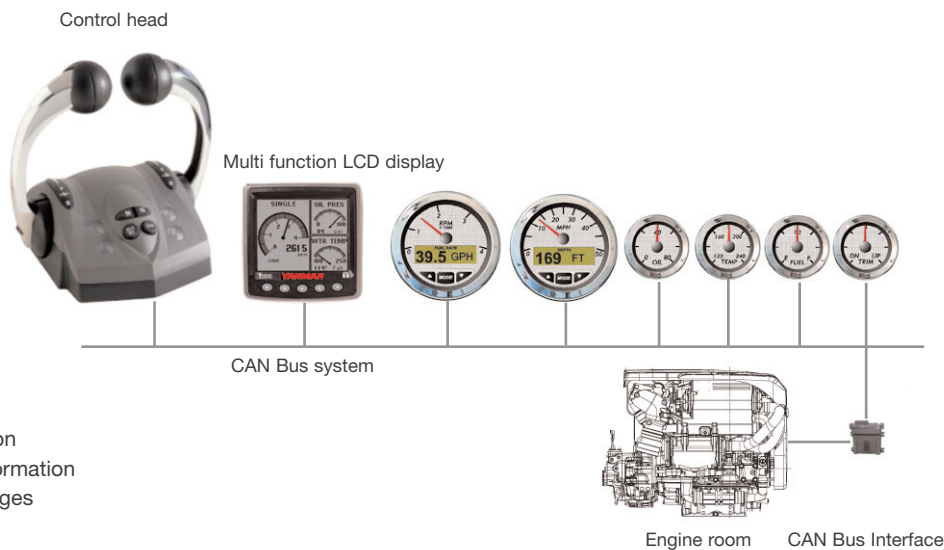


Marine gear (examples) **

Model	KMH50A		
Type	8° down hydraulic		
Dry weight	43 kg (95 lbs)		
Reduction ratio (fwd/asn)	1.67/1.67	2.13/2.13	2.43/2.43
Propeller speed (fwd/asn)	2395/2395	1878/1878	1646/1646
Direction of rotation (propeller shaft - fwd)	Counter clockwise viewed from flywheel side		
Dry weight engine with gear	358 kg (789 lbs)		

** Other marine gearboxes and configurations available upon request. Contact your local supplier for more information.

Instrument Panels



- Multi function LCD display:
- engine information
 - maintenance information
 - diagnosis messages

Engine Accessories

Standard Engine Package System

- Alternator 12V - 150A single pole
- Protection cover for engine transmission
- Exhaust mixing Elbow (L-type)
- Flexible Mounts
- Glow plug controller and related parts

Optional Engine Package System

- High riser mixing elbow
- Exhaust side dipstick
- Electrical Gearshift
- Trolling

Electronic Control System

Standard Electronic Control

- Electronic Control Head
- LCD display
- Back-up throttle control system

Optional Electronic Control

- Various engine Monitoring gauges
- Various engine Control heads