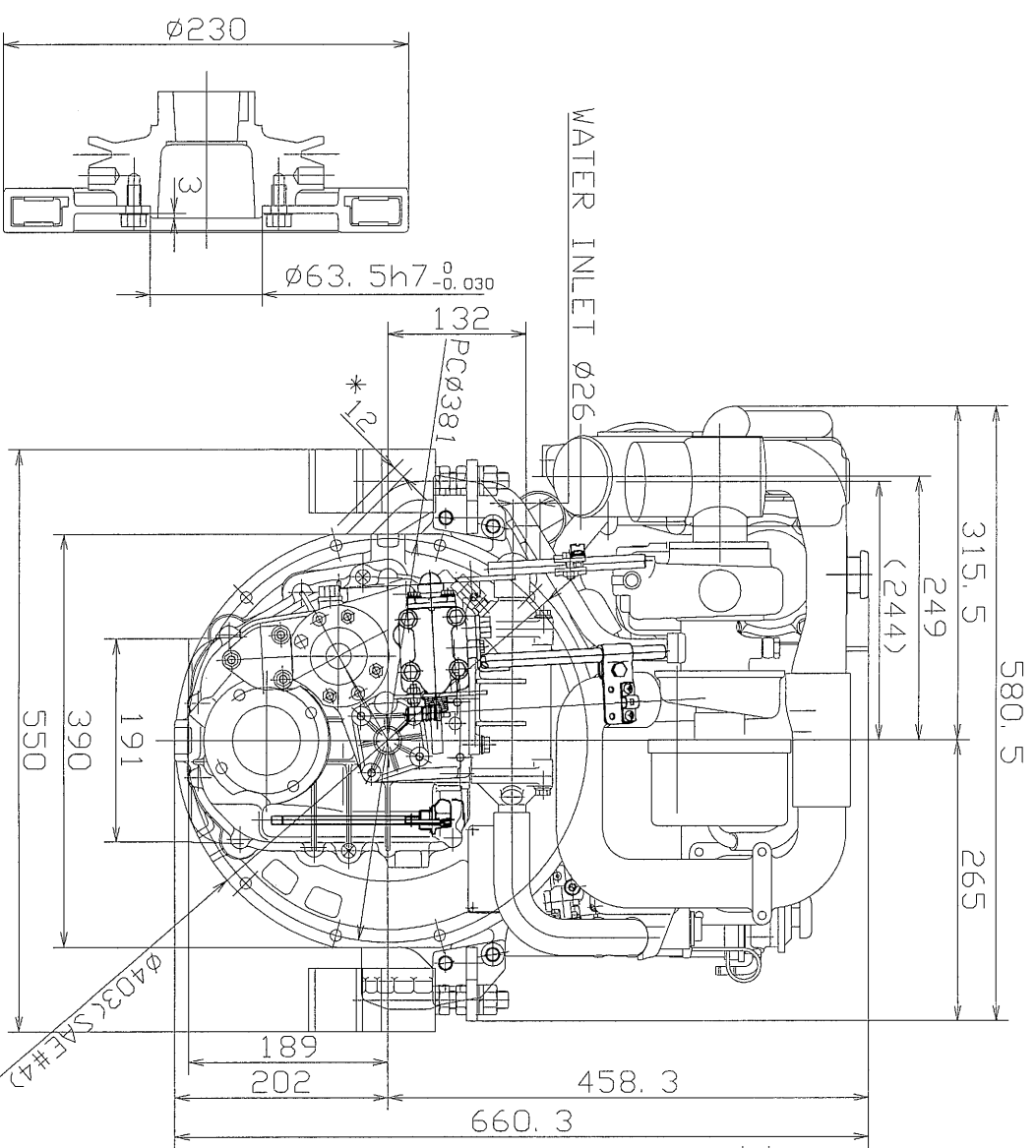
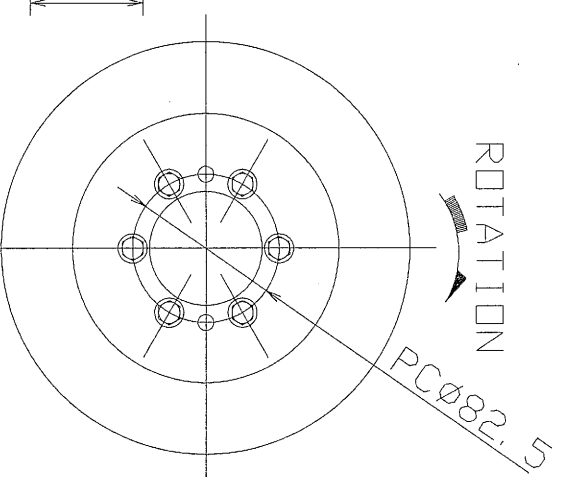
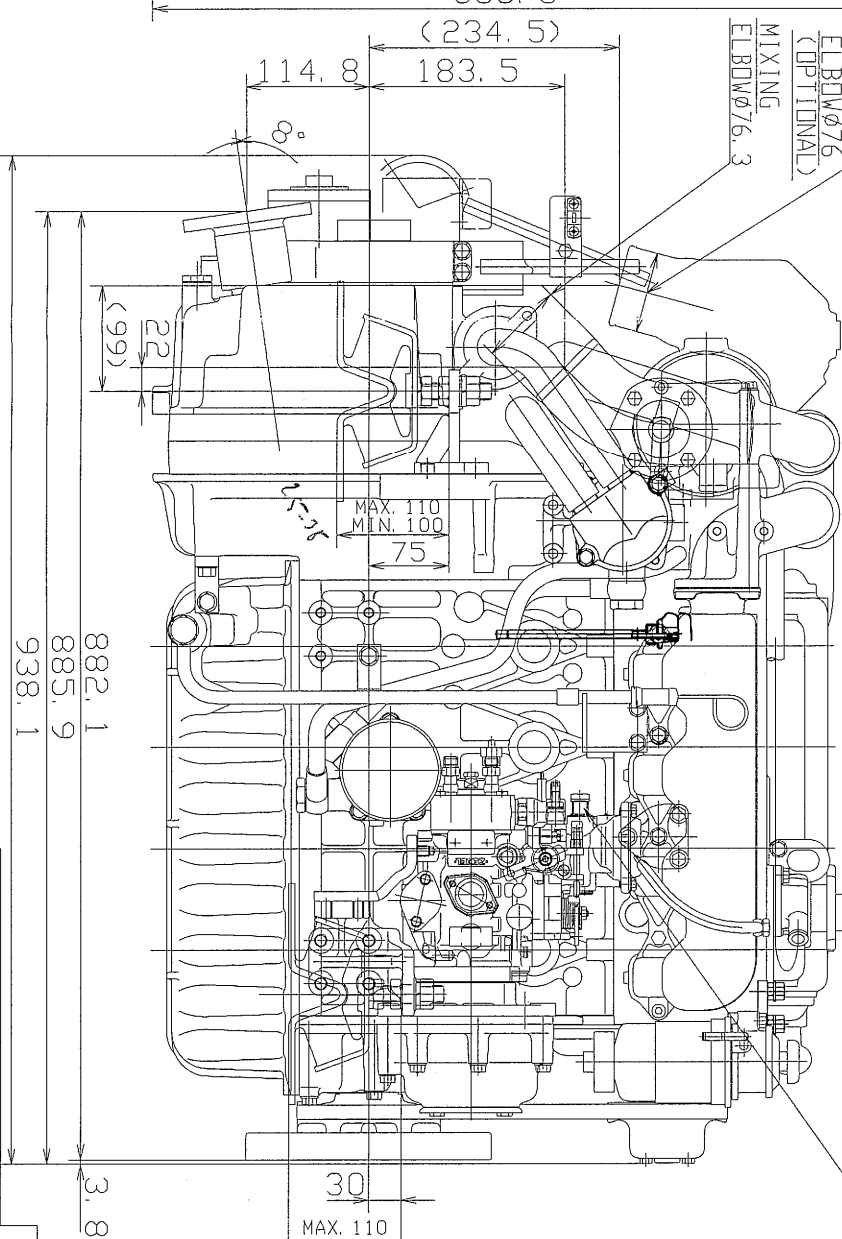
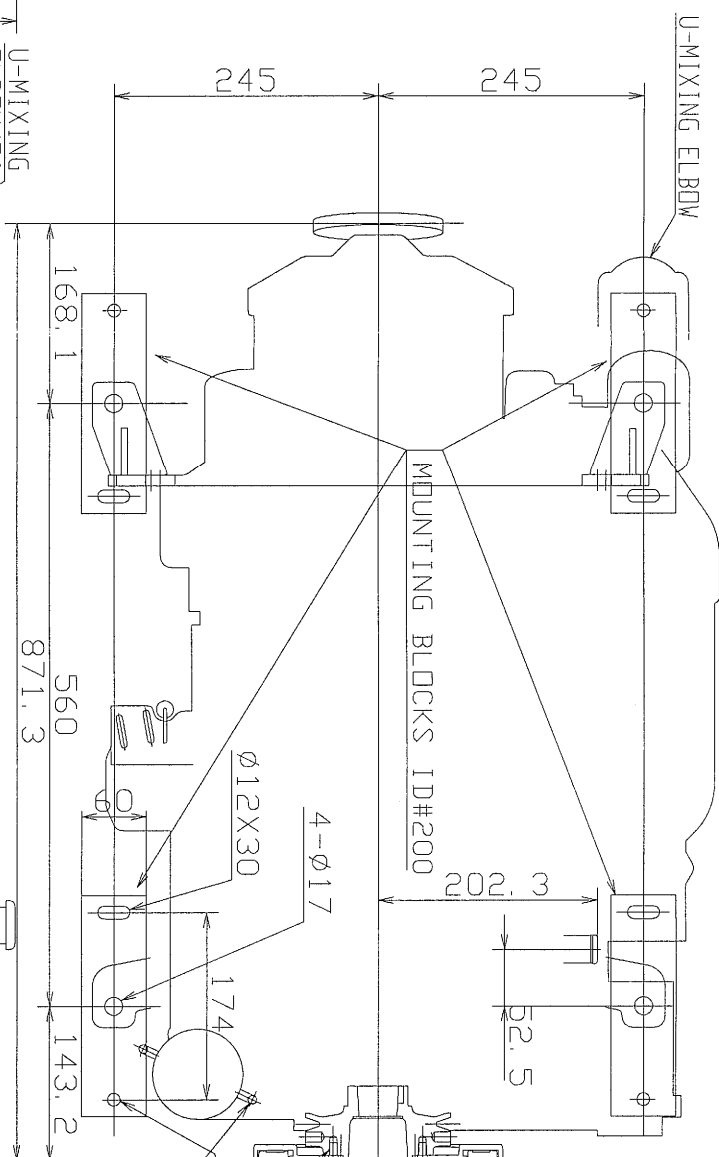


DETAIL OF COUPLING
SCALE 1/3



DETAIL OF PULLEY (SCALE 1/3)



DETAIL OF PULLEY
(SCALE 1/3)
VIEW IN DIRECTION OF ARROW A

SPECIFICATIONS

Model	4JH3-DTE		
Continous rating output (ISD 3046)	HP/r?m(kW)	@116/3700 (85.3)	
Projetler shaft output (ISD 3046)	HP/r?m(kW)	120/3800 (88.3)	
Crankshaft output (ISD 3046)	HP/r?m(kW)	125/3800 (91.9)	
Reduction ratio		2.04	2.45
Dry weight	kg(lb.)	A??rox. 260(573)	
Direction of proj. shaft rotation		Bi-Rotation	

WEIGHT (RAW)	(?) %
WEIGHT (???)	(?) %
SEC. MANAGER	(?) %

HYDRAULIC TEST (MPa)	kg/cm ²	MPa	kg/cm ²
PNEUMATIC TEST (MPa)	kg/cm ²	MPa	kg/cm ²
MODEL	4JH3-DTE	SCALE	1/5 (1/3)
QTY.		MATERIAL	

DESIGNED	DRAWN	DATE	NAME
1997	1997	7, 24	4JH3-DTE OUTLINE (WITH KM4A MARINE GEAR)

CODE B2-29673-0170

???

GT CODE

CAREER

1?, (H9, 11, 29)
 ???-?-?????
 REVISED 1, (29/11/'97)
 CHANGE DTL CODLER
 2? (H10, 4, 10) ???
 ???FW??E??
 REVISED 2, (10/4/'98)
 CHANGE TO FW DUT