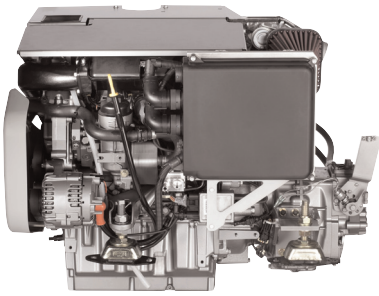


# Yanmar type 4BY2-150

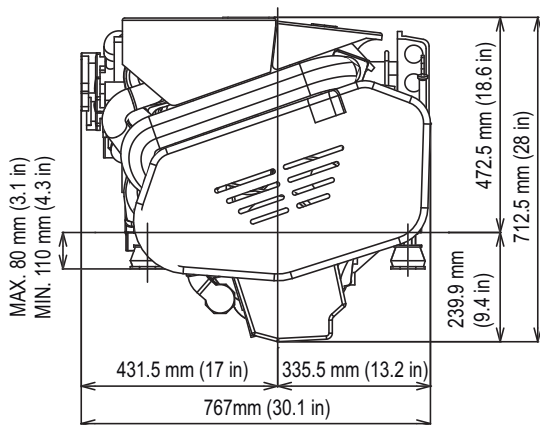


<b>Configuration</b>	In line, 4-stroke cycle, water cooled diesel engine
<b>Maximum output at crankshaft *</b>	110 kW (150 mhp) / 4000 rpm
<b>Continuous rating output at crankshaft</b>	85 kW ( 114 mhp) / 3600 rpm
<b>Displacement</b>	1.995 L (122 cu in)
<b>Bore x stroke</b>	84 mm x 90 mm (3.31 in x 3.54 in)
<b>Cylinders</b>	4, Common Rail with vertical injectors
<b>Combustion system</b>	Direct injection
<b>Aspiration</b>	Wastegated, turbocharged with intercooler
<b>Starting system</b>	Electric starting 12 V - 2 kW
<b>Alternator</b>	12 V - 150 A
<b>Cooling system</b>	Fresh water cooling with heat exchanger, and sea water cooled charge air cooler
<b>Lubrication system</b>	Totally enclosed, forced lubricating system with pump
<b>Can Bus</b>	According to NMEA 2000 protocol
<b>Direction of rotation (crankshaft)</b>	Counter clockwise viewed from flywheel side
<b>Dry weight without gear</b>	258 kg (569 lbs)
<b>Environmental</b>	EU RCD, US EPA Tier2, BSO II & EMC
<b>Engine mounting</b>	Rubber type antivibration mounts

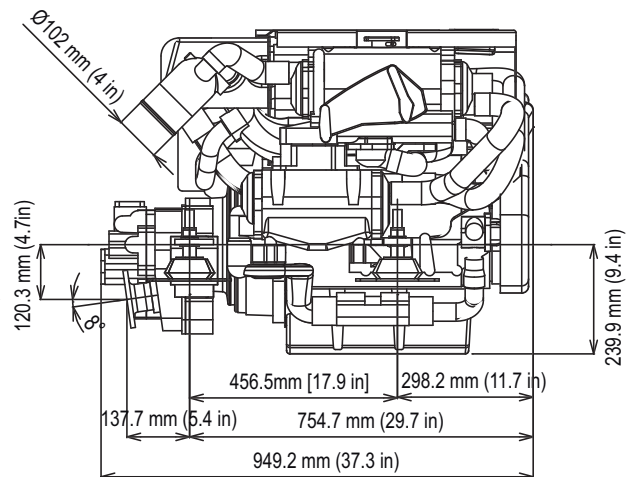
NOTE: Fuel condition: Density at 15°C = 0.84 g/cm<sup>3</sup>; 1kW = 1.3596 mhp = 1.3410 HP  
 \* Fuel temperature 40°C at the inlet of the fuel injection pump (ISO 8665 : 2006)

**Dimensions** (For detailed line-drawings, please refer to our web-site: [www.yanmarmarine.com](http://www.yanmarmarine.com) or contact your supplier)

## Front view

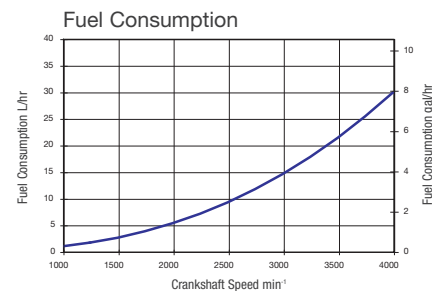
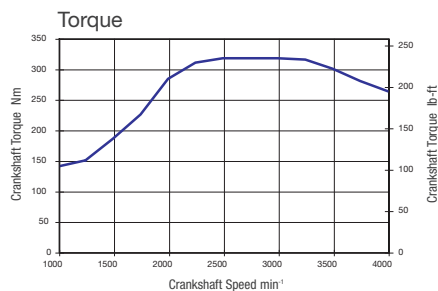
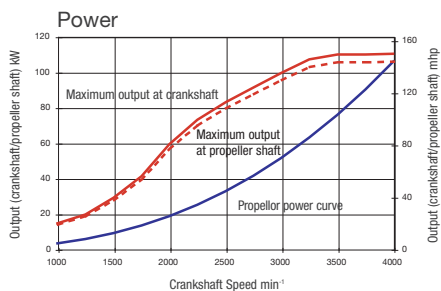


## Right side view



4BY2-150 with KM40A marine gear

## Performance Curves (Output is according ISO 8665)

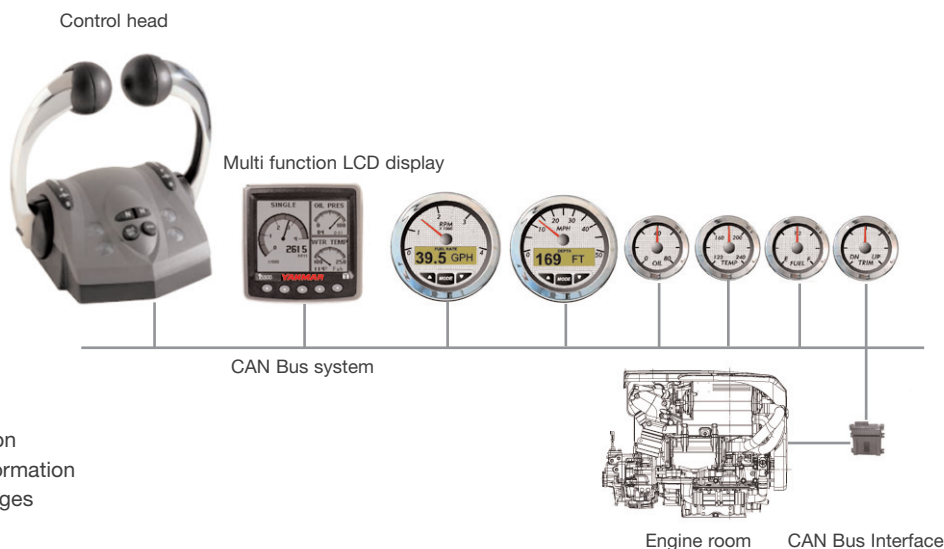


## Marine gear (examples) \*\*

Model	KMH40A				
Type	8 down Hydraulic				
Dry weight	34 kg (75 lbs)				
Reduction ratio (fwd/asn)	1,24/1,24	1,53/1,53	2,04/2,04	2,45/2,45	2,62/2,62
Propeller speed (fwd/asn)	3226/3226	2614/2614	1961/1961	1633/1633	1527/1527
Direction of rotation (propeller shaft - fwd)	Clockwise & counter clockwise viewed from flywheel side				
Dry weight engine with gear	292 kg (644 lbs)				

\*\* Other marine gearboxes and configurations available upon request. Contact your local supplier for more information.

## Instrument Panels



Multi function LCD display:

- engine information
- maintenance information
- diagnosis messages

## Engine Accessories

### Standard Engine Package System

- Alternator 12V - 150A single pole
- Protection cover for engine transmission
- Exhaust mixing Elbow (L-type)
- Flexible Mounts
- Glow plug controller and related parts

### Optional Engine Package System

- High riser mixing elbow
- Exhaust side dipstick
- Electrical Gearshift
- Trolling

## Electronic Control System

### Standard Electronic Control

- Electronic Control Head
- LCD display
- Back-up throttle control system

### Optional Electronic Control

- Various engine Monitoring gauges
- Various engine Control heads