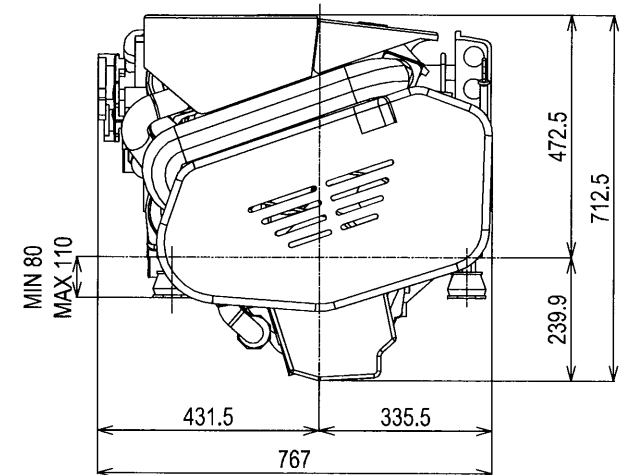
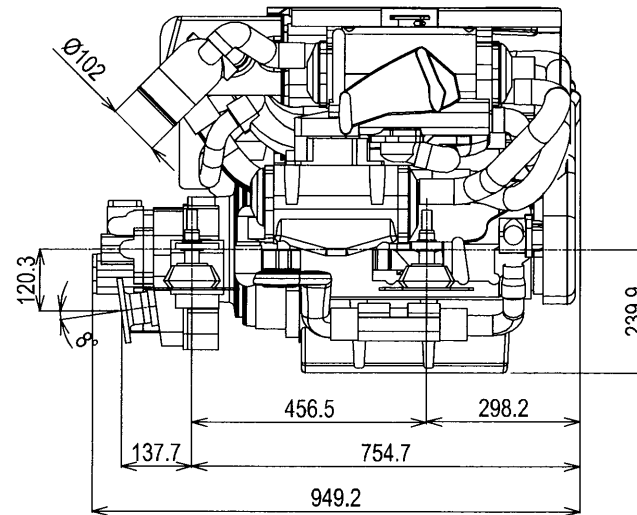
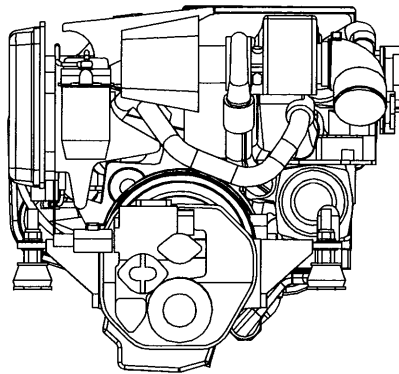
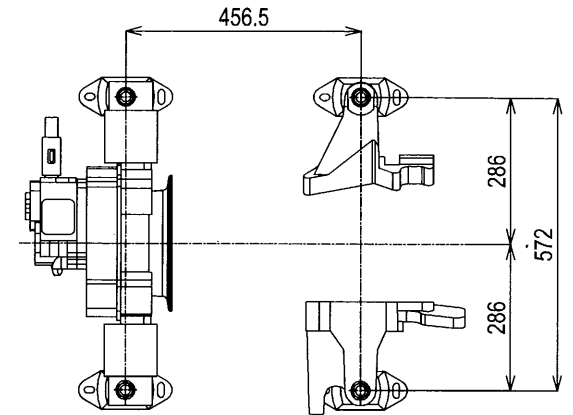
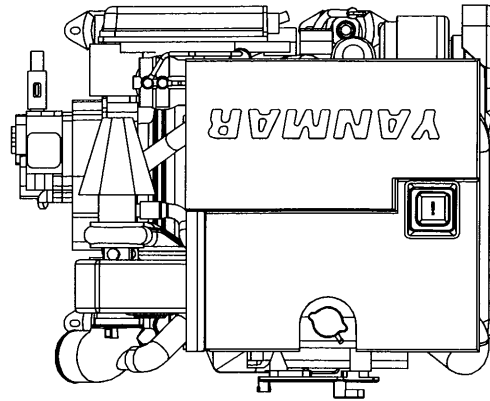
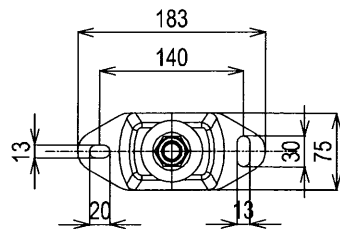
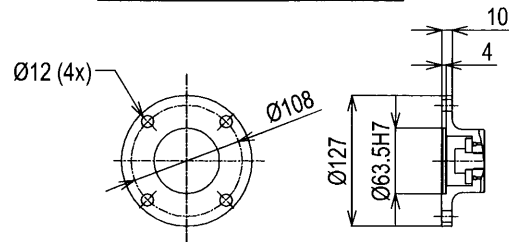


**DETAIL OF MOUNTING BLOCK**



**DETAIL OF COUPLING**



**NOTE:**

1. DWG. SHOWS MOUNTING BLOCKS AT ORIGINAL HEIGHT. ENGINE WEIGHT WILL COMPRESS BLOCKS BY 4MM (APPROX).
2. MOUNTING BLOCKS ARE EQUIPPED FOR STANDARD ACCESSORY.
3. ● SHOWS THE CENTER OF GRAVITY.
4. FOR ADDITIONAL INSTALLATION INFORMATION AND SPECIFICATIONS PLEASE REFER TO THE YANMAR ENGINE INSTALLATION MANUAL

Series: BY	Engine: 4BY2-180(150)xKMH40A	Release: R2008-01
Scale: 1:10	Date: 01-10-08	Dimensions: mm

