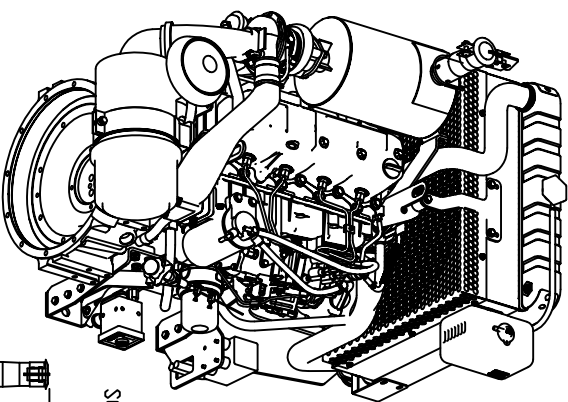
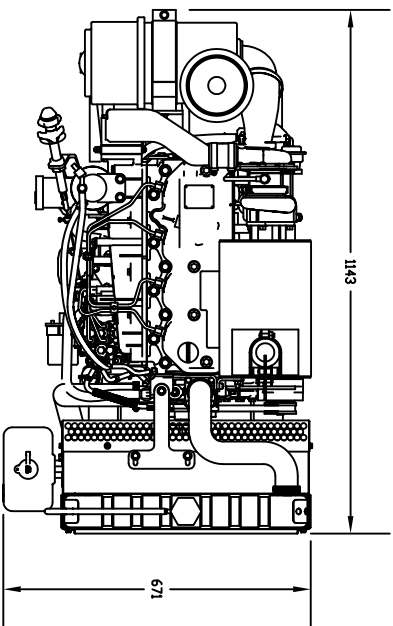
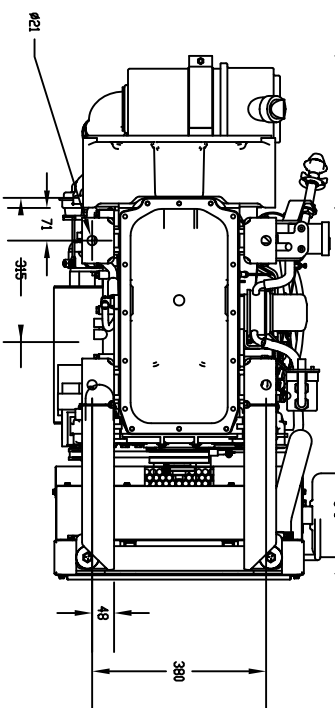
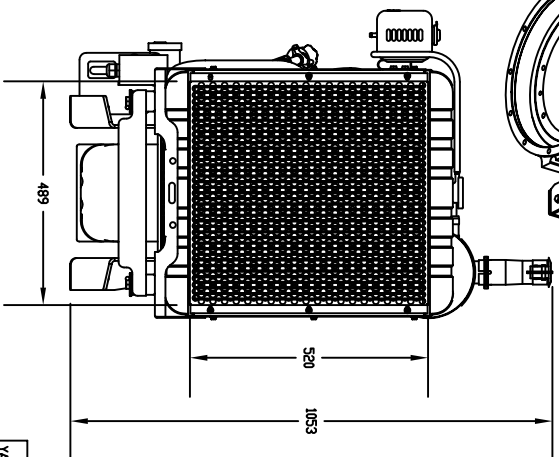
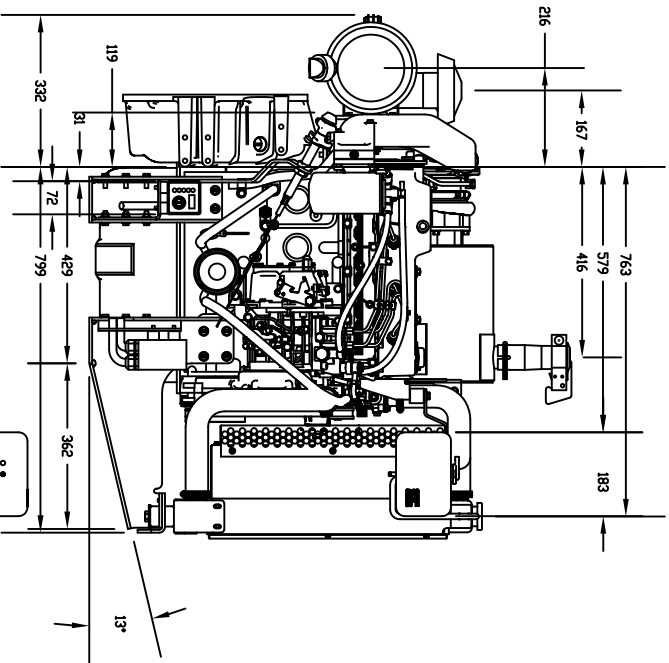
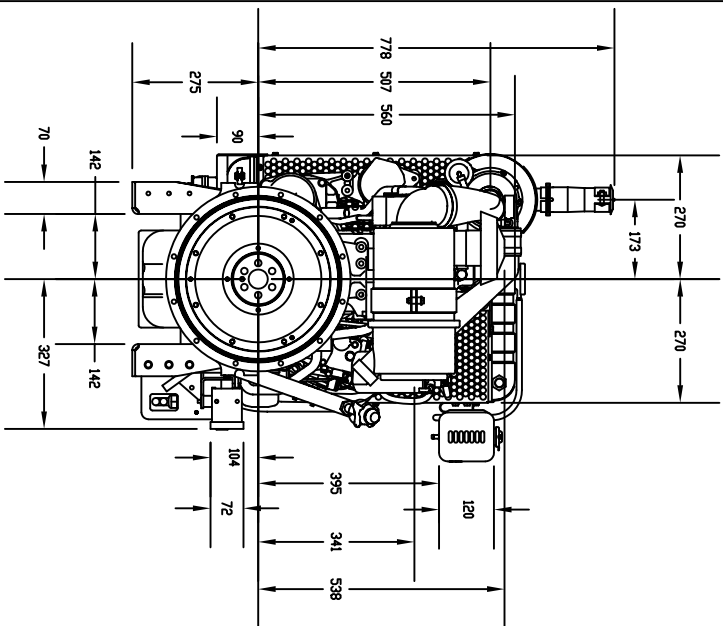


NOTES:

1. measurements are taken from the cylinder block rear and the crankshaft
2. dimensions for the upgraded control panel are larger than the panel in the model
3. the flywheel housing will be different based upon the spec design of the engine



SCALE 0.125



YANMAR CO., LTD. YANMAR PAPERWORK CORP.		PART CODE 41NW981-KIT	
DESIGNER	CHECKED	SPECIALIST	DESIGN/DRAW
MANAGER	CHECKED	SPECIALIST	DESIGN/DRAW
MODEL	QTY		
PART NAME OUTLINE DRAWING		PART CODE 41NW981-KIT	