

3TNV88-DSA

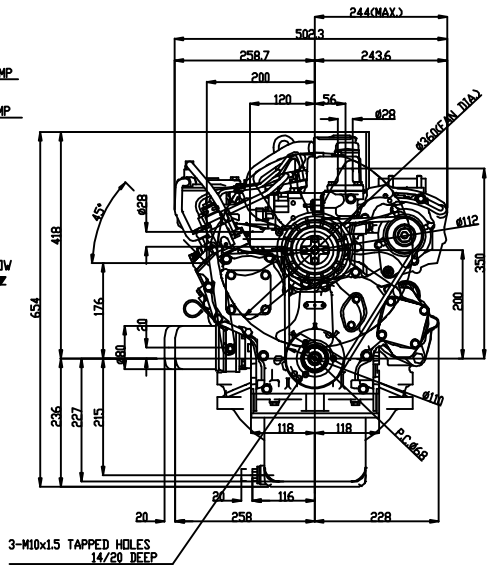
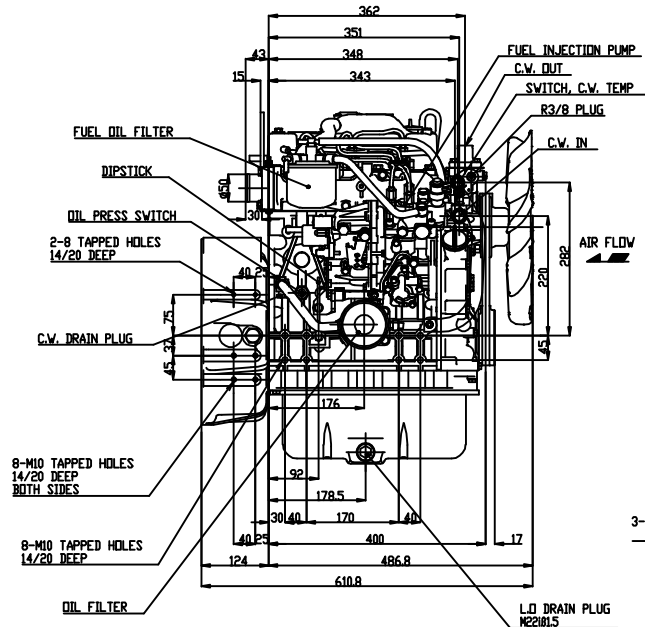
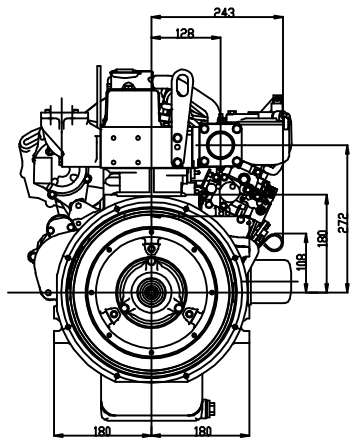
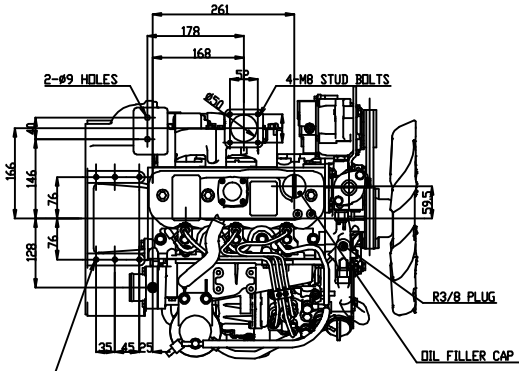
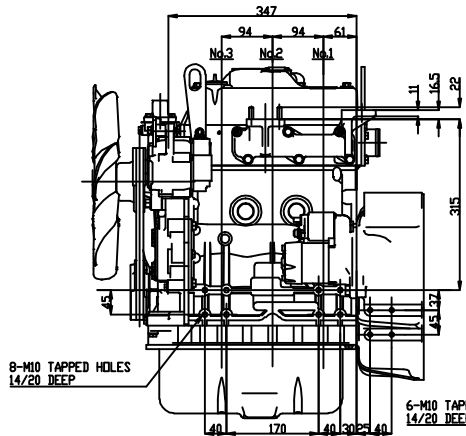
PURCHASING SPECIFICATION
 REQUEST FOR APPROVAL
 DELIVERY DRAWING
 INSPECTING STANDARD
 QC-PROCESS

FIGURE DIMENSION
 GT CODE
 AND RADIAL

3RD ANGLE PROJECTION

CAREER

Rev.1 (2003.Dec.03)
 Add to 3TNV88-DSA
 (YDSTE-035977)



SD-CAD

NOTICE

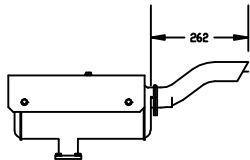
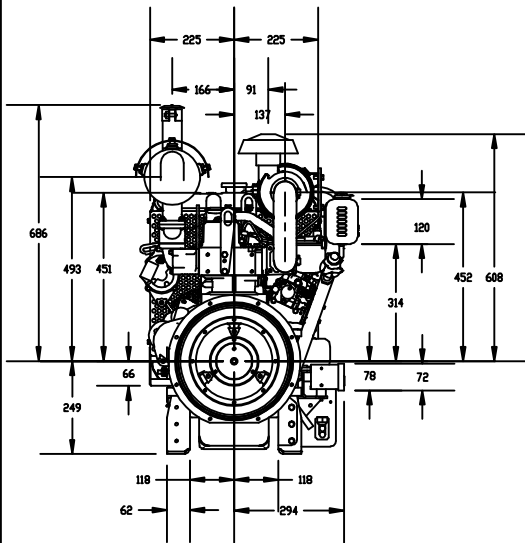
OPEN
 CLOSE
 ZOOM
 PAN
 ROTATE
 ERASE
 COPY
 PASTE
 PRINT
 HELP

WEIGHT (GROSS)	kg (lb 30)	ENGINEER	MANAGER
WEIGHT (CALC.)	kg (lb 30)	SCALE	1:4
CHECKED	SPECIALIST	QTY	MATERIAL
DESIGNED	DRAWN	DATE/1AD	NAME
K.Moruro	E.Aochi	2003.11.12	
YANMAR			
YANMAR CO., LTD. ENGINE PRODUCT OPERATIONS DIV.			
CODE			B3-29005-0030
REV.			A1

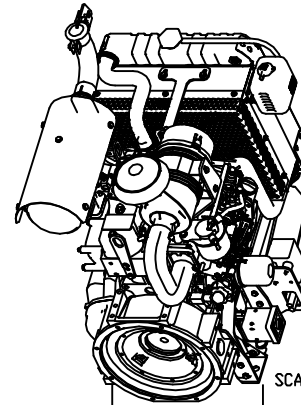
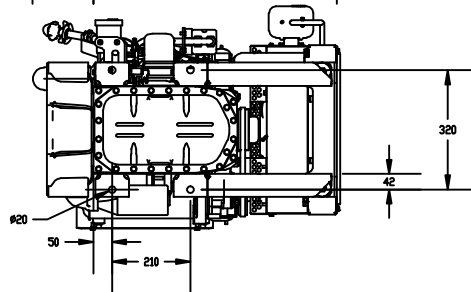
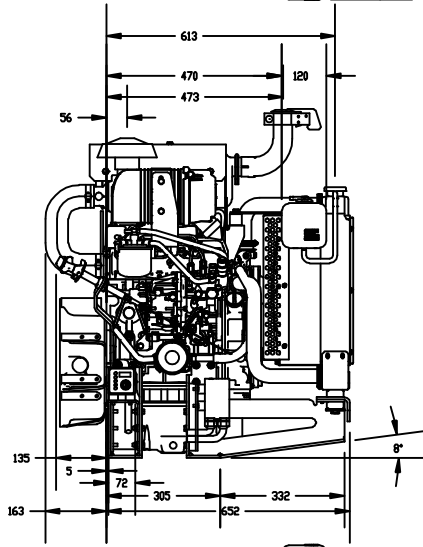
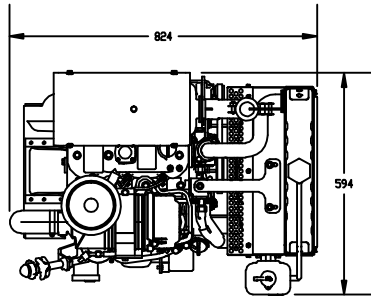
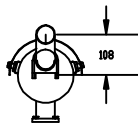
Power Unit

NOTES:

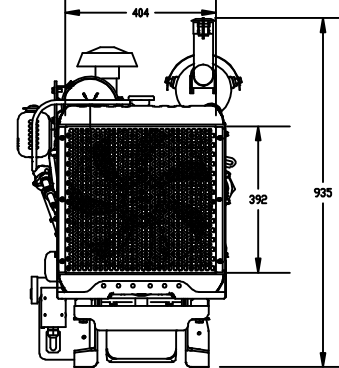
1. measurements are taken from the cylinder block rear and the crankshaft
2. dimensions for the upgraded control panel are larger than the panel in the model
3. the flywheel housing will be different based upon the spec design of the engine



SCALE 0.125



SCALE 0.125



CAREER

YANMAR CO., LTD.	
YANMAR AMERICA CORP.	
DRAWN	
CHECKER	SPECIALIST
CHECKER	DESIGN/DRW
MODEL	
QTY	

PART NAME	OUTLINE DRAWING	PART CODE	3TNV88-KIT
-----------	-----------------	-----------	------------