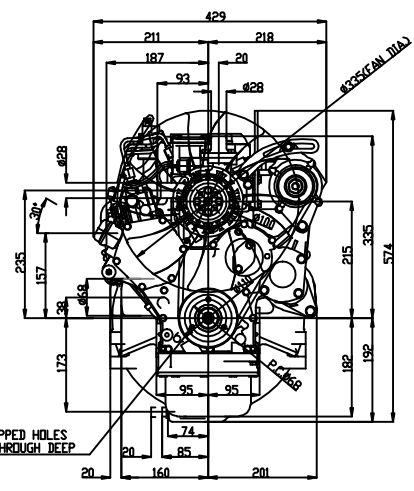
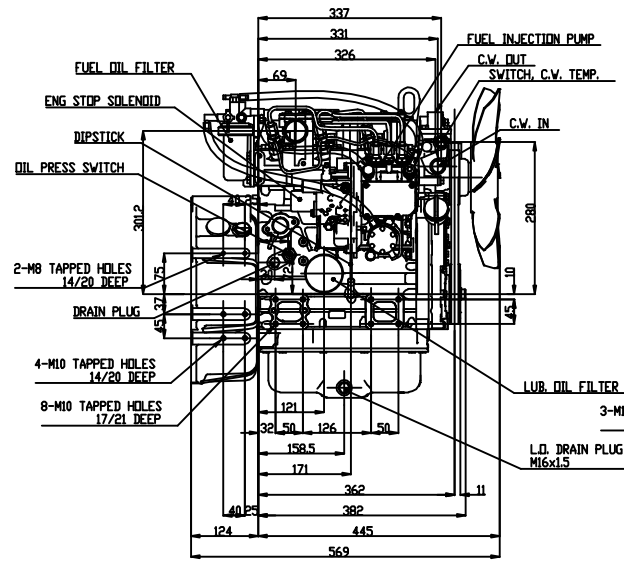
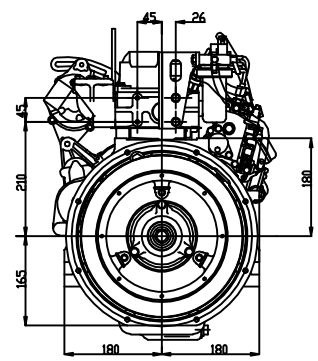
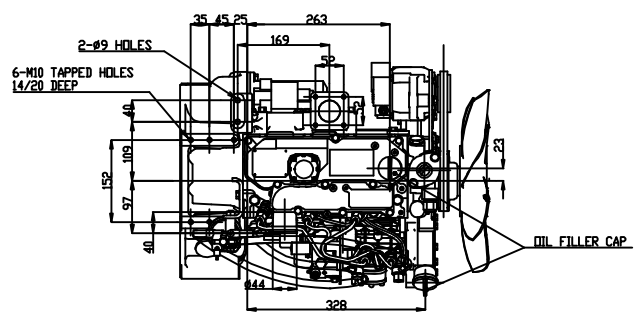
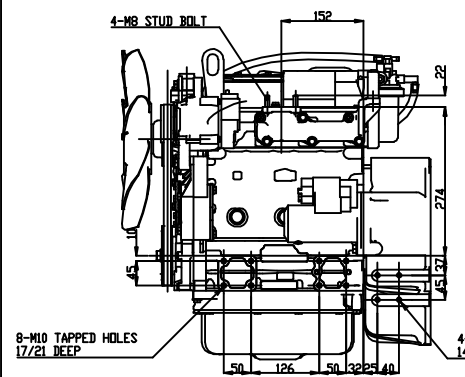


3TNV76-CSA

3RD ANGLE PROJECTION
CAREER

NEE ○ PURCHASING SPECIFICATION . REQUEST FOR APPROVAL . DELIVERY DRAWING . INSPECTING STANDARD . QC-PROCESS

FIGURE DIMENSION GT CODE
○ AND ⊗ RADIAL



SD-CAD

NOTICE

1. 2. 3. 4. 5. 6. 7. 8. 9. 10. 11. 12. 13. 14. 15. 16. 17. 18. 19. 20. 21. 22. 23. 24. 25. 26. 27. 28. 29. 30. 31. 32. 33. 34. 35. 36. 37. 38. 39. 40. 41. 42. 43. 44. 45. 46. 47. 48. 49. 50. 51. 52. 53. 54. 55. 56. 57. 58. 59. 60. 61. 62. 63. 64. 65. 66. 67. 68. 69. 70. 71. 72. 73. 74. 75. 76. 77. 78. 79. 80. 81. 82. 83. 84. 85. 86. 87. 88. 89. 90. 91. 92. 93. 94. 95. 96. 97. 98. 99. 100.

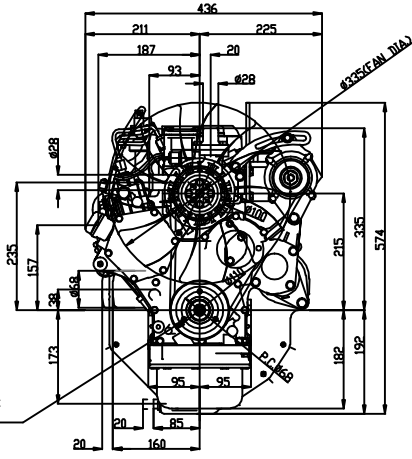
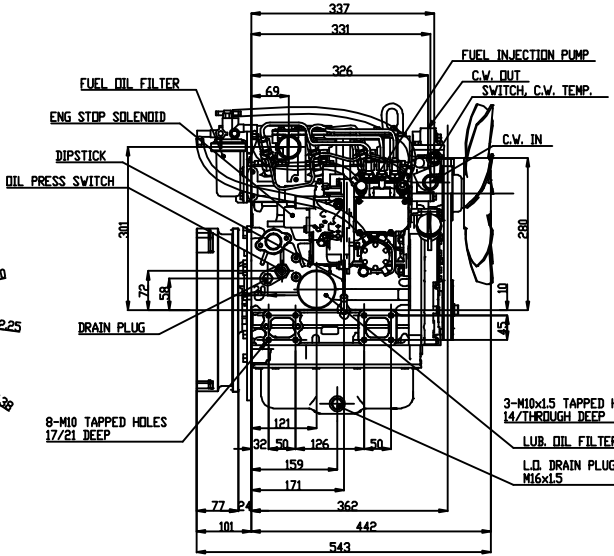
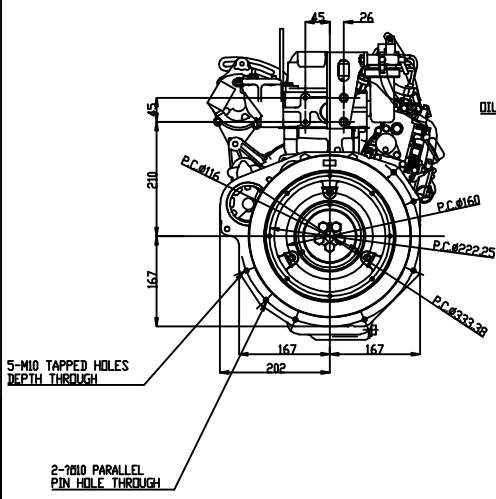
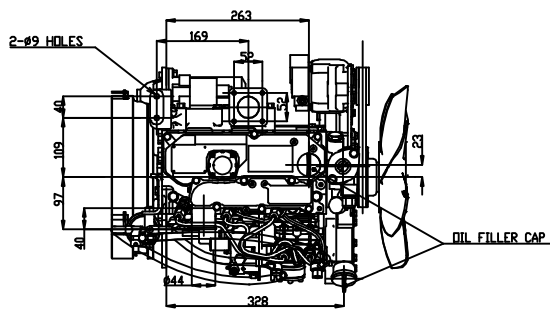
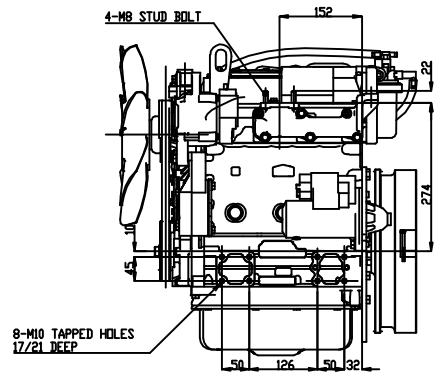
| | | | | |
|---|------------|----------|------------|---------|
| WEIGHT (CALC) | kg (lb) | 14 (31) | ENGINEER | MANAGER |
| CHECKED | SPECIALIST | QTY 1 | SCALE | 1:4 |
| DESIGNED | DRAWN | DATE/YAD | MATERIAL | |
| T.SASAKI | E.Aochi | 20040826 | 3TNV76-CSA | |
| YANMAR | | | | |
| YANMAR CO., LTD. ENGINE PRODUCT OPERATIONS DIV. | | | | |
| OUTLINE | | | | DATE |
| B3-19717-0090 | | | | A1 |

3TNV76-CSA3

MEK PURCHASING SPECIFICATION REQUIST FOR APPROVAL DELIVERY DRAWING INSPECTING STAMPING QC-PROCESS

FIGURE DIMENSION AND RADIAL
 IGT CODE

3RD ANGLE PROJECTION
 CAREER



SD-CAD

NOTICE

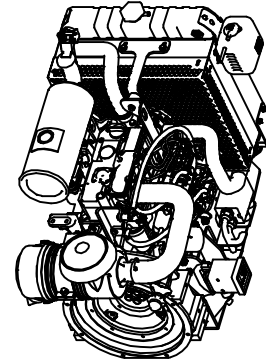
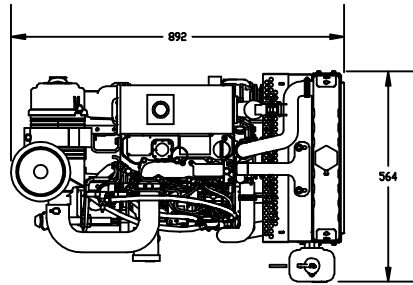
OPEN
 CLOSE
 ZOOM
 PAN
 ROTATE
 TRANSLATE
 ERASE
 COPY
 PASTE
 PRINT
 HELP

| | | | |
|---|---------------------|-----------|---------------|
| WEIGHT (GROSS) | kg (lb 30) | ENGINEER | MANAGER |
| WEIGHT (CALC.) | 1000 kg (22 050 lb) | SCALE | 1:1 |
| CHECKED | SPECIALIST | QTY | 1 |
| DESIGNED | T.SASAKI | DATE/YEAR | 08/04/88 |
| DRAWN | T.SASAKI | NAME | OUTLINE |
| | | DATE | B3-19717-0100 |
| YANMAR CO., LTD. ENGINE PRODUCT OPERATIONS DIV. | | SIZE | A1 |

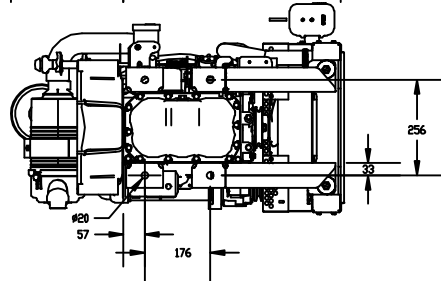
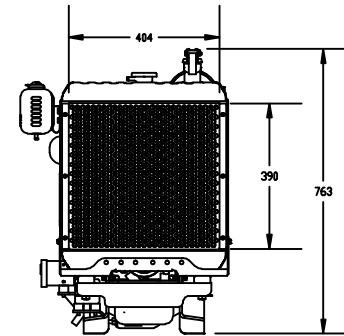
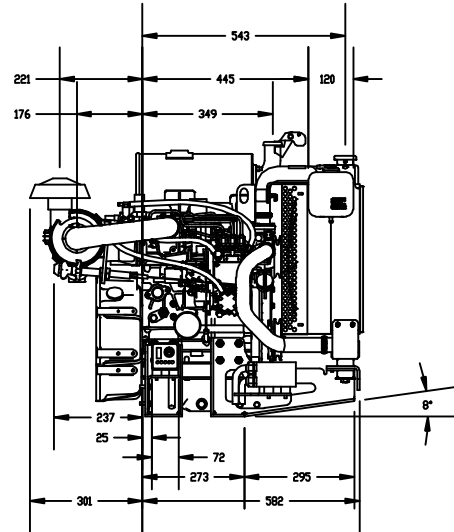
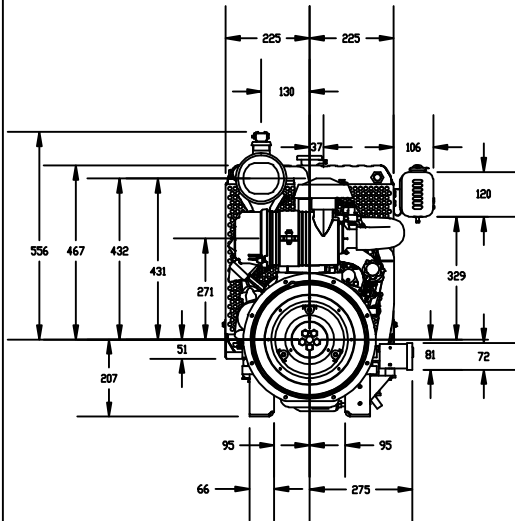
Power Unit

NOTES:

1. measurements are taken from the cylinder block rear and the crankshaft
2. dimensions for the upgraded control panel are larger than the panel in the model
3. the flywheel housing will be different based upon the spec design of the engine



SCALE 0.125



CAREER

YANMAR CO., LTD.
YANMAR AMERICA CORP.

ENGINEER

ENGINEER SPECIALIST

CHECKER DESIGN/DRW

MODEL
QTY

| | | | |
|-----------|-----------------|-----------|------------|
| PART NAME | OUTLINE DRAWING | PART CODE | 3TNV76-KIT |
|-----------|-----------------|-----------|------------|