

PURCHASING SPECIFICATION  
 REQUEST FOR APPROVAL  
 DELIVERY DRAWING  
 INSPECTING STAMPING  
 QC-PROCESS

FIGURE DIMENSION

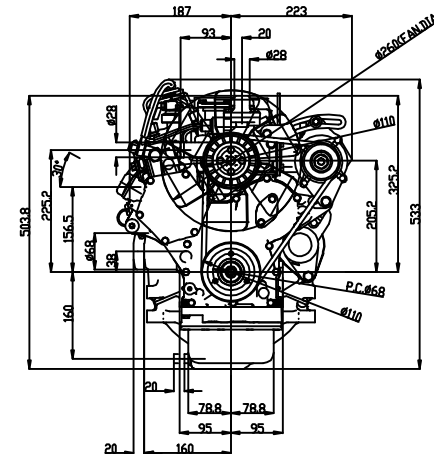
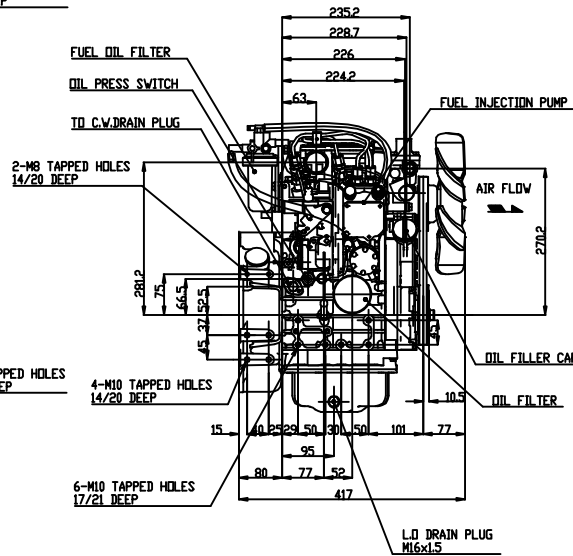
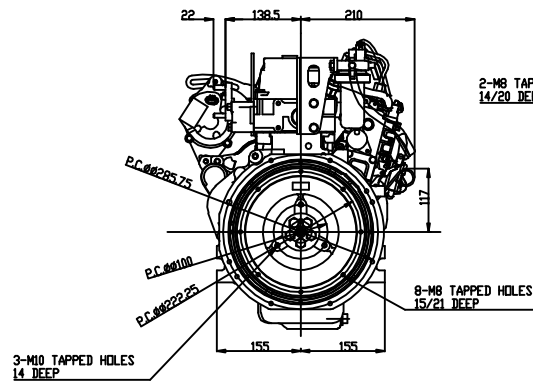
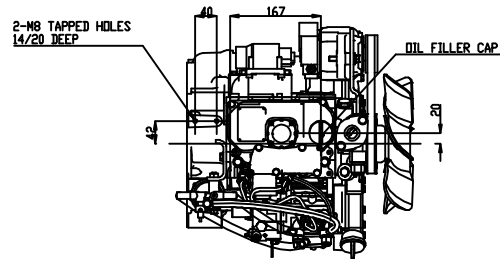
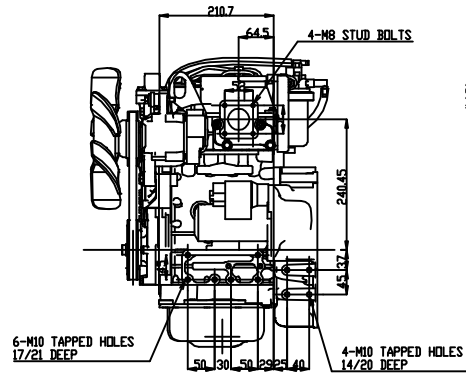
GT CODE

AND  RADIAL

3RD ANGLE PROJECTION

CAREER

Rev.10/4/21/3  
 1)Span dimension change  
 (YDSTX-9408)  
 Rev.2/04/3/26)  
 Change Adjuster(YDSTX-9404)  
 Rev.3/05/125)  
 Change lift eye(YDSTX-05063)



3D-CAD

NOTICE

3D-CAD  
 2D-DRAWING  
 3D-MODEL  
 3D-ASSEMBLY  
 3D-SECTION  
 3D-EXPLODED VIEW  
 3D-INTERSECTION  
 3D-SECTION CUT  
 3D-SECTION CUT WITH DIMENSIONS  
 3D-SECTION CUT WITH DIMENSIONS AND TOLERANCES  
 3D-SECTION CUT WITH DIMENSIONS AND TOLERANCES AND MATERIALS  
 3D-SECTION CUT WITH DIMENSIONS AND TOLERANCES AND MATERIALS AND FINISHES  
 3D-SECTION CUT WITH DIMENSIONS AND TOLERANCES AND MATERIALS AND FINISHES AND WEIGHTS  
 3D-SECTION CUT WITH DIMENSIONS AND TOLERANCES AND MATERIALS AND FINISHES AND WEIGHTS AND VOLUMES  
 3D-SECTION CUT WITH DIMENSIONS AND TOLERANCES AND MATERIALS AND FINISHES AND WEIGHTS AND VOLUMES AND CENTER OF GRAVITY

WEIGHT (GROSS)	kg	INCH	mm	SCALE	1:4
WEIGHT (CALC)	kg	INCH	mm	MATERIAL	
SEC-MANAGER		MODEL	REV	DATE	
CHECKED	SPECIALIST	QTY	1		
DESIGNED	DRAWN	DATE/1/10	NAME	OUTLINE	
<b>YANMAR</b>					
YANMAR CO., LTD. ENGINE PRODUCT OPERATIONS DIV.					
CODE	B3-19446-0010	REV1	REV2	REV3	REV4
DATE		DATE		DATE	