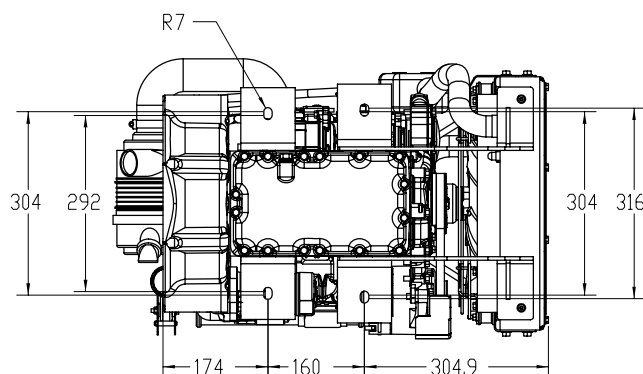


R178



R7

PROPRIETARY AND CONFIDENTIAL
 THE INFORMATION CONTAINED IN THIS
 DRAWING IS THE SOLE PROPERTY OF
 YANMAR AMERICA CORPORATION. ANY
 REPRODUCTION IN PART OR AS A WHOLE
 WITHOUT THE WRITTEN PERMISSION OF
 YANMAR AMERICA CORPORATION IS
 PROHIBITED.

		UNLESS OTHERWISE SPECIFIED		NAME	DATE	YANMAR AMERICA CORP.	
		DIMENSIONS ARE IN MM		DRAWN	KAB		4-15-09
		TOLERANCES				TITLE: 3TNM72-GGE POWERPACK	
		FRACTIONAL ±		CHECKED	KAB		4-15-09
		ANGULAR MACH ±		ENG APPR.			
		TWO PLACE DECIMAL ±		MFG APPR.			
		THREE PLACE DECIMAL ±					
		INTERPRET GEOMETRIC TOLERANCING PER		D/A		SIZE DWG. NO.	
		MATERIAL		COMMENTS:		3TNM72-GGE	
		FINISH				REV	
NEXT ASSY	USED ON	DO NOT SCALE DRAWING				SCALE: 1:6	
APPLICATION						WEIGHT:	
						SHEET 1 OF 1	