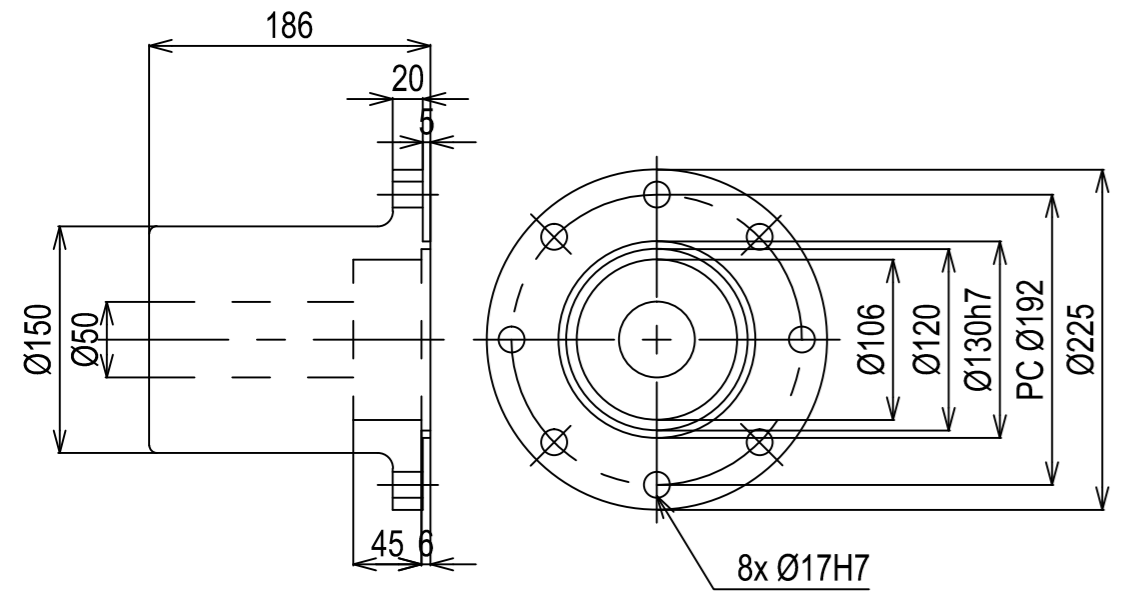
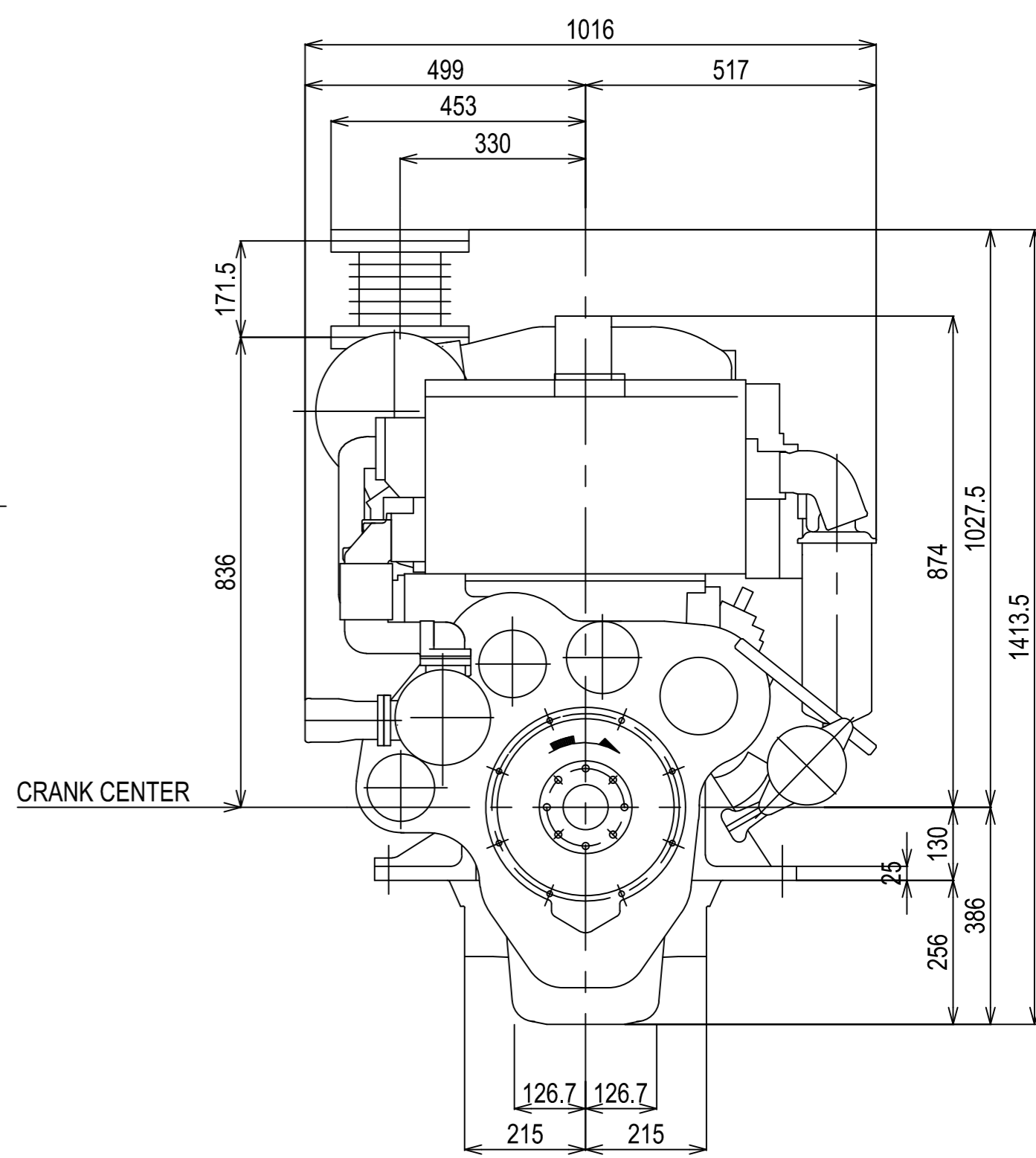
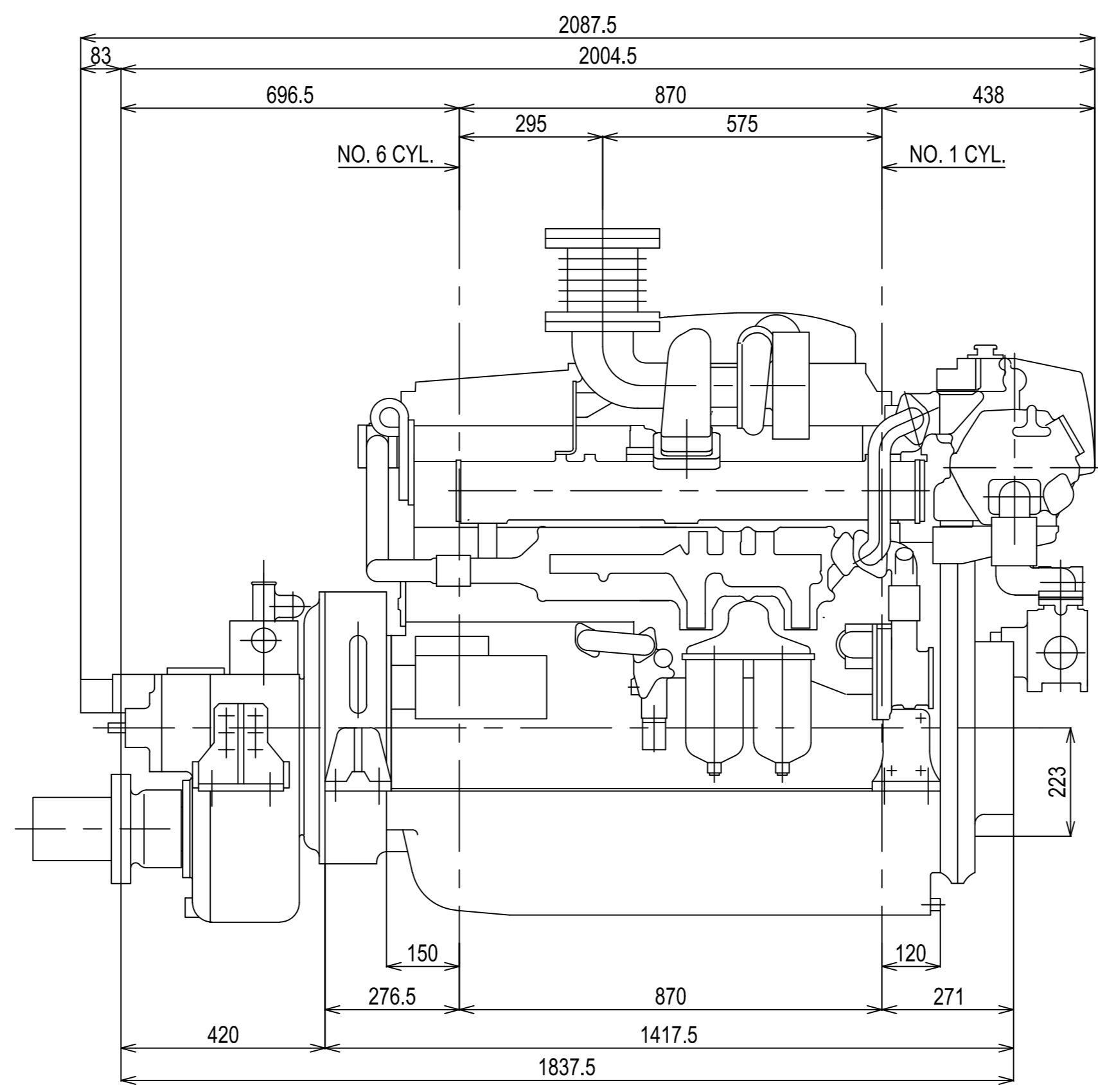
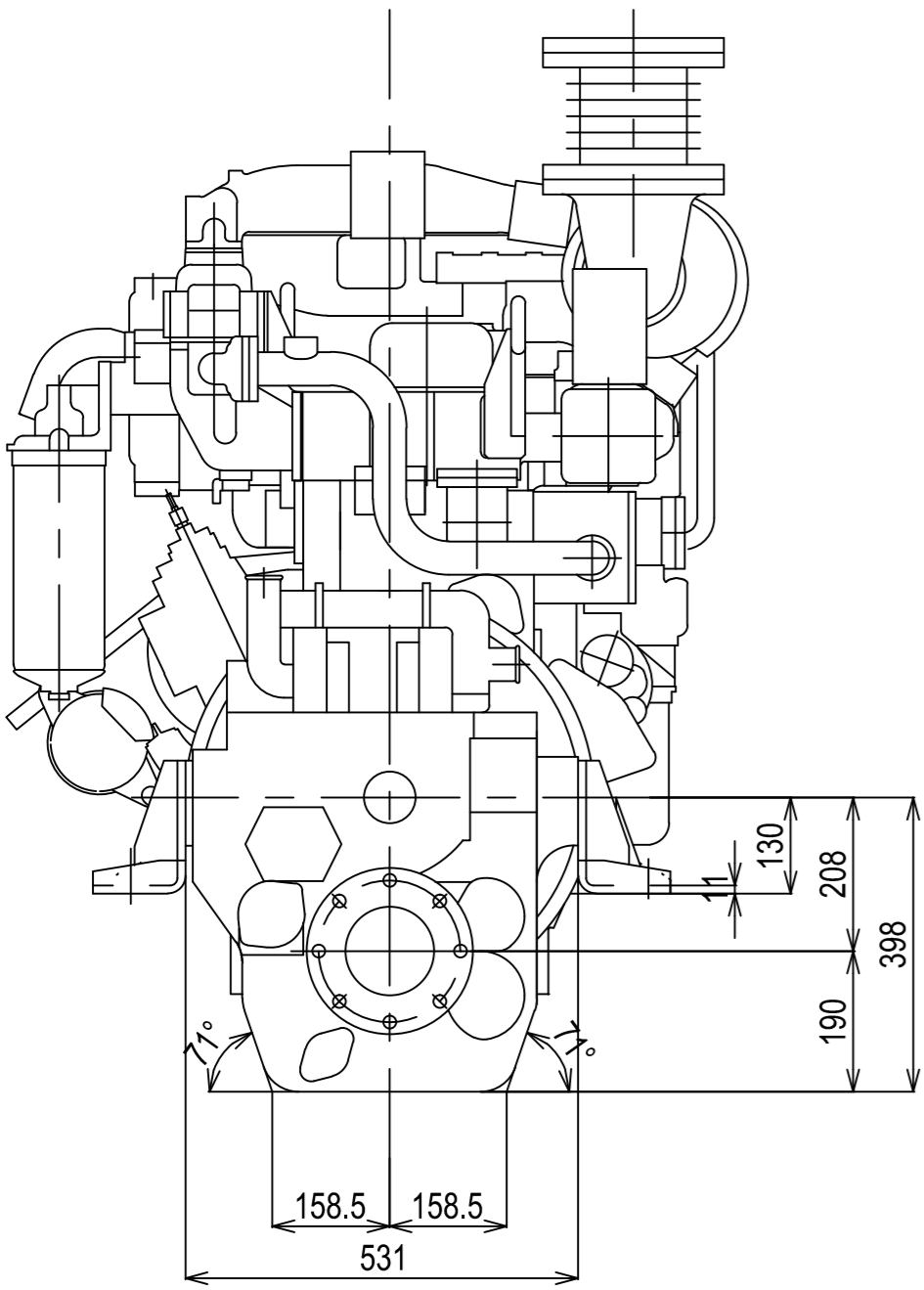
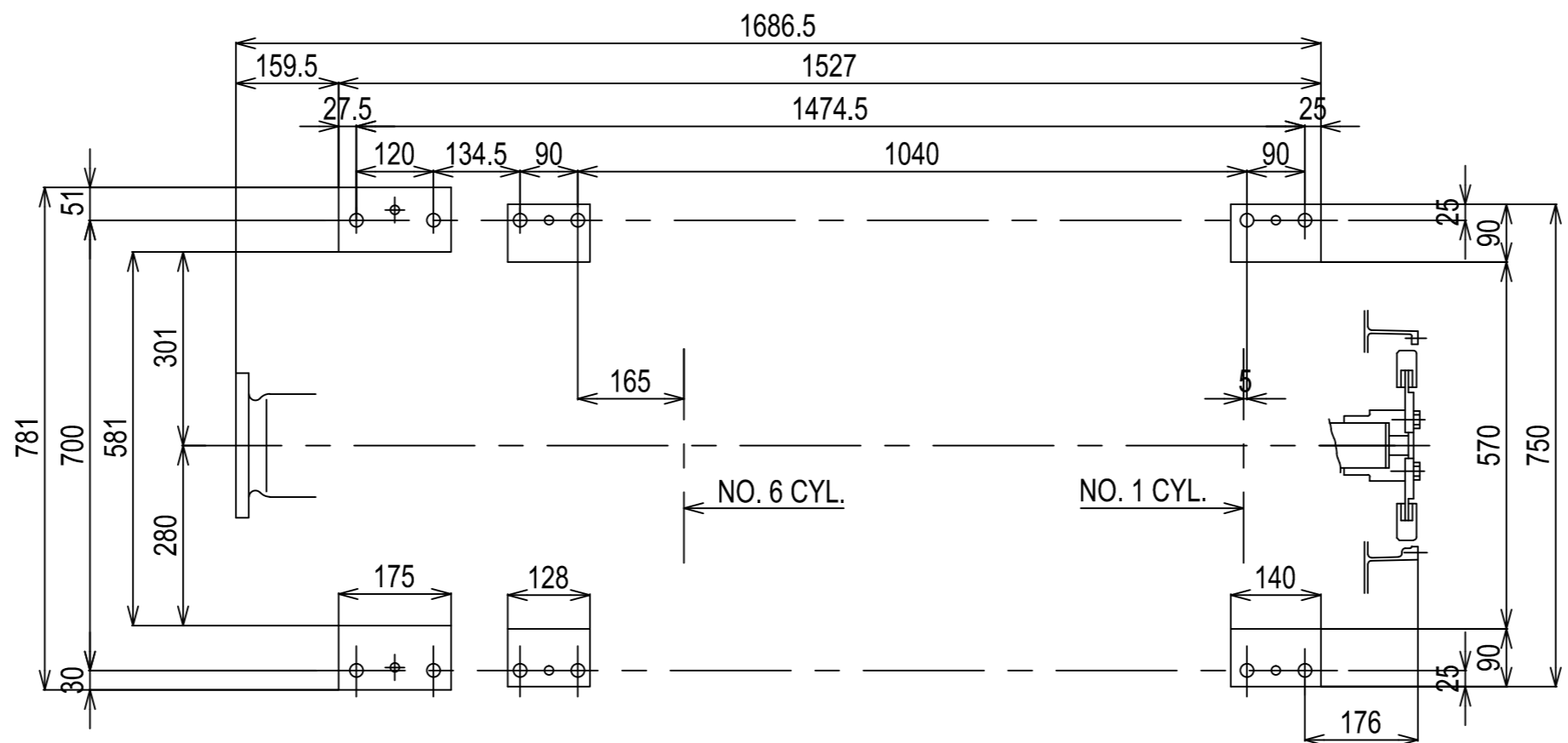
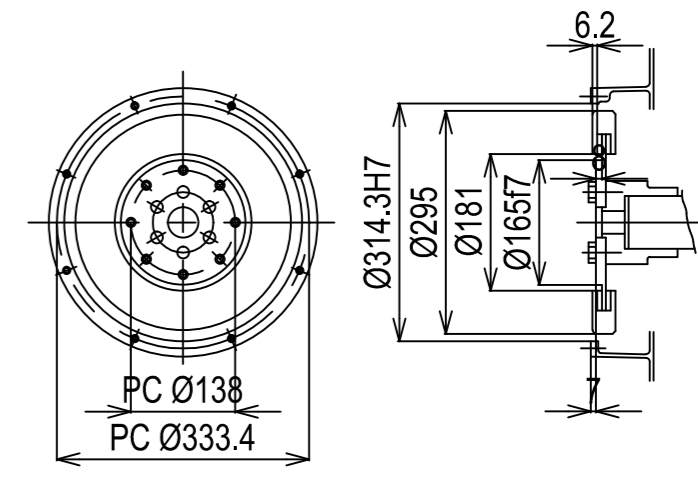


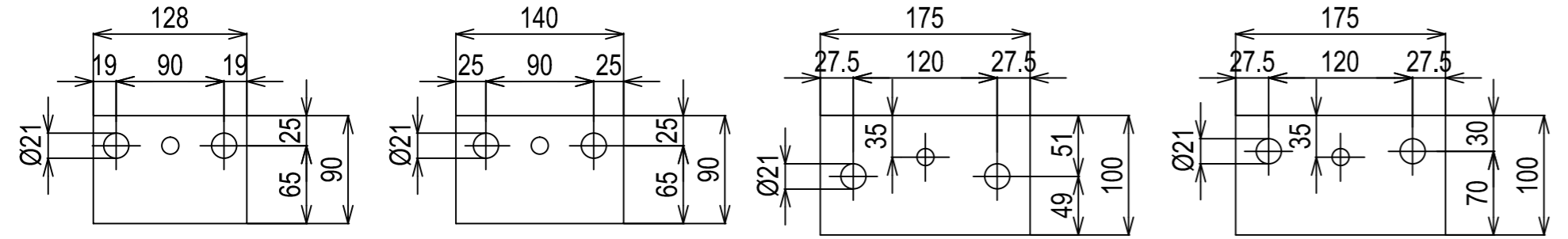
DETAIL OF COUPLING



DETAIL OF FRONT PTO



DETAIL OF MOUNTING BLOCK



| | | |
|-------------------|--------------------------|------------------|
| Series: HA2 | Engine: 6HA2M-WHTxYX-120 | Release: R2011-1 |
| Scale: 1:10 (1:5) | Date: 01-01-2011 | Dimensions: mm |

