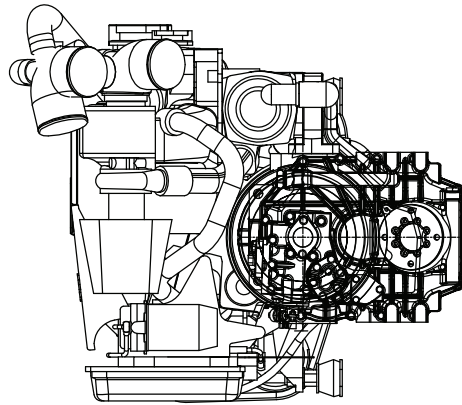
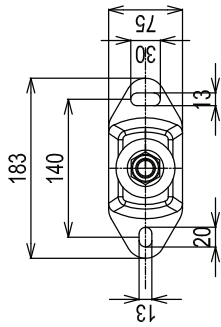
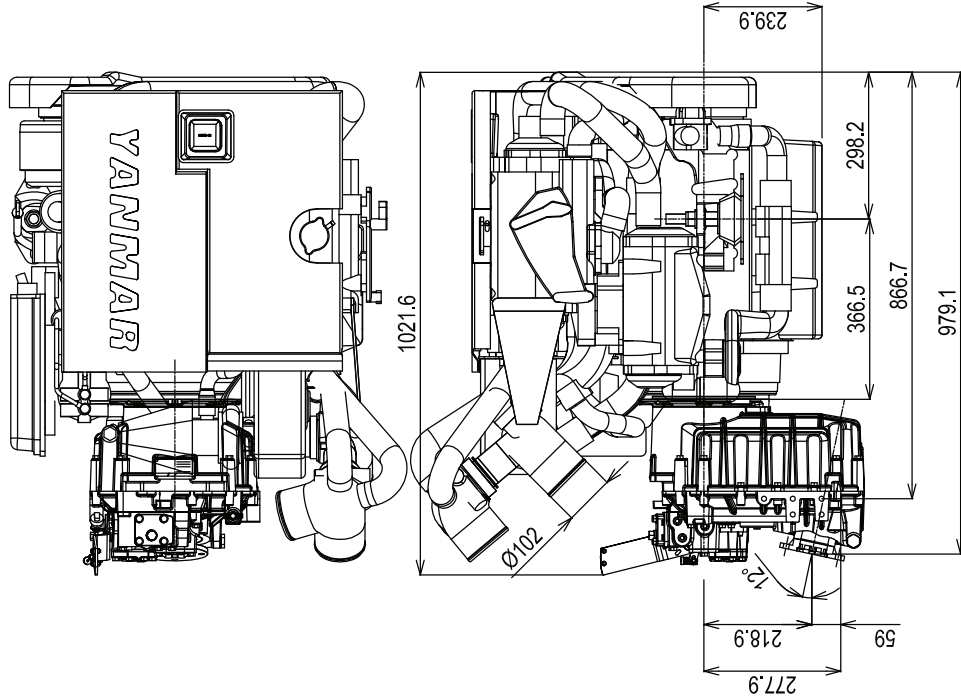
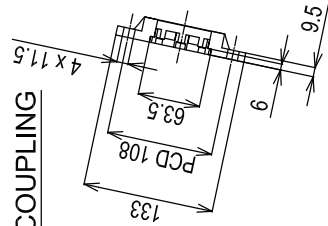


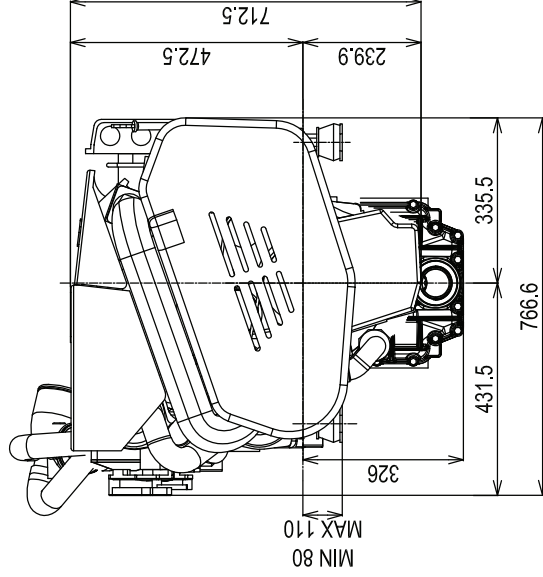
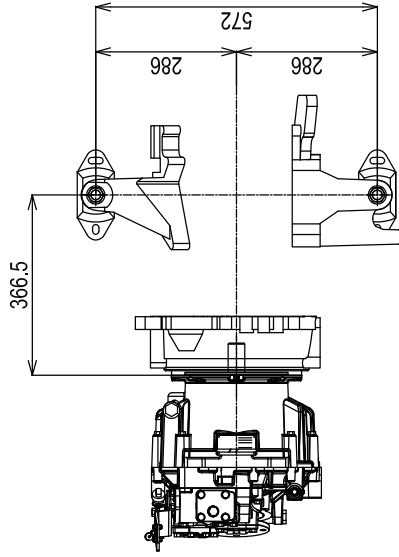
DETAIL OF MOUNTING BLOCK



DETAIL OF COUPLING



**PRELIMINARY COPY
ONLY
NOT TO BE USED FOR PRODUCTION**



NOTE:

1. DWG. SHOWS MOUNTING BLOCKS AT ORIGINAL HEIGHT. ENGINE WEIGHT WILL COMPRESS BLOCKS BY 4MM (APPROX).
2. MOUNTING BLOCKS ARE EQUIPPED FOR STANDARD ACCESSORY.
3. Ⓞ SHOWS THE CENTER OF GRAVITY.
4. FOR ADDITIONAL INSTALLATION INFORMATION AND SPECIFICATIONS PLEASE REFER TO THE YANMAR ENGINE INSTALLATION MANUAL

By: BY	Engine: 4BY2-180(150)xKMH50V	Release: R2008-01-A
Scale: 1:10	Date: 16-08-10	Dimensions: mm

