

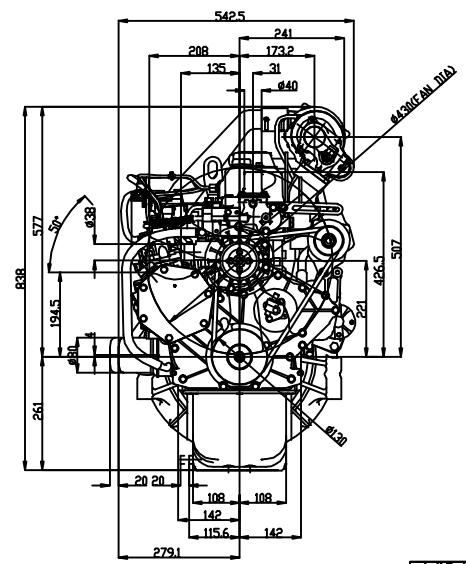
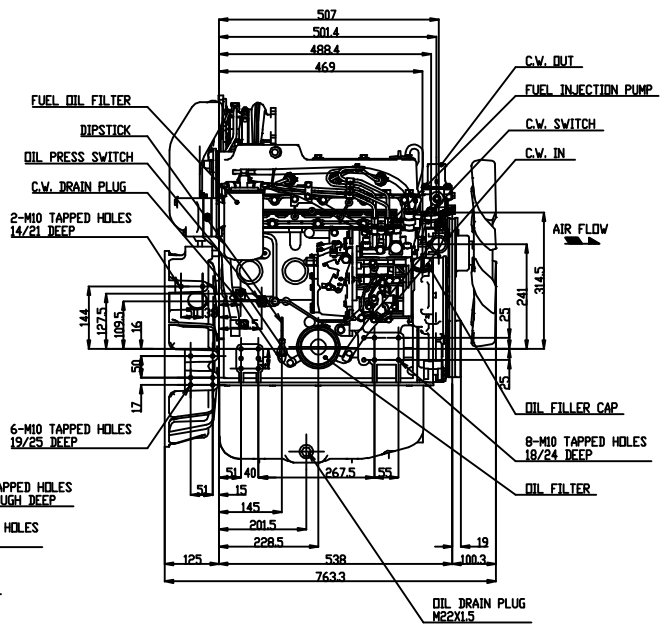
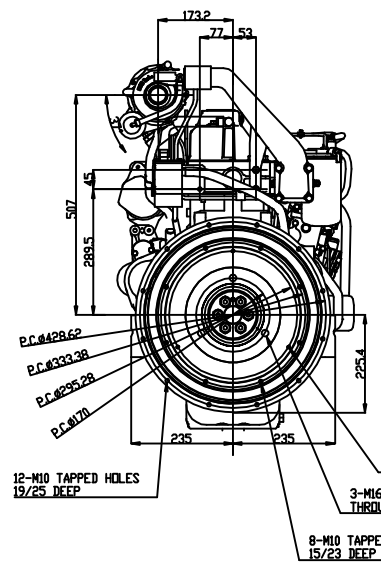
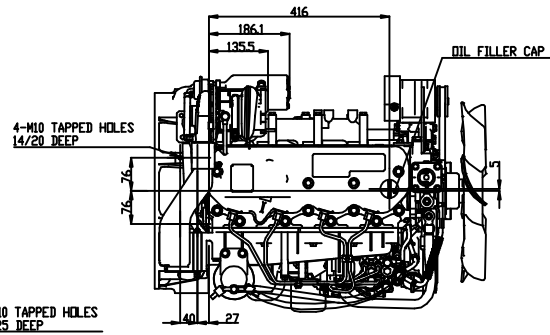
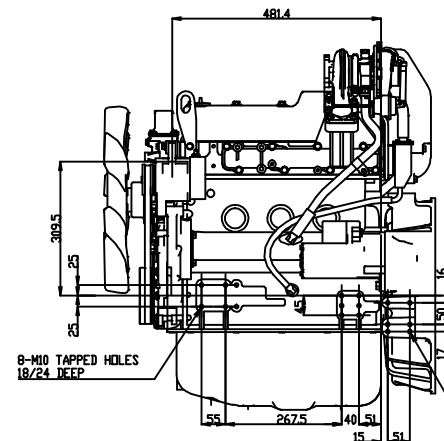
FILE NAME	4TH/3ST-GEENRV
-----------	----------------

NO. OF SHEETS	3
SHEET NO.	1

3RD ANGLE PROJECTION

Rev.1(03.5.12)

Change Int.Manifold upper P.V side  
Change alternator 15A\*40A



FILE NAME	4TH/3ST-GEENRV
NO. OF SHEETS	3
SHEET NO.	1
DATE	
DESIGNED BY	
CHECKED BY	
APPROVED BY	
3D-CAD	

DATE	03/05/12	BY	Y. NAKAGAWA
NO. OF SHEETS	3	SHEET NO.	1
OUTLINE			
YANMAR CO., LTD.			
ENGINE PRODUCT OPERATIONS DIV.			
			REV. 1
			B3-29937-0010