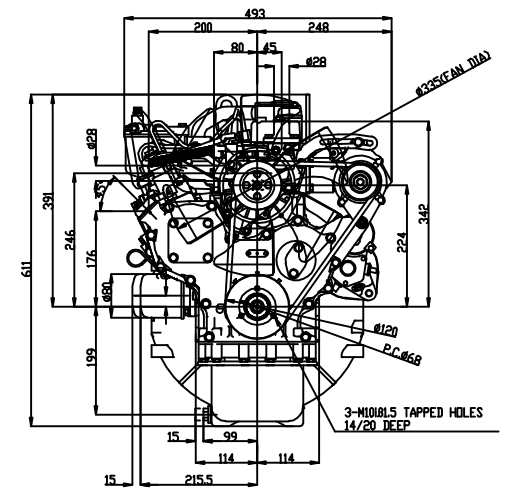
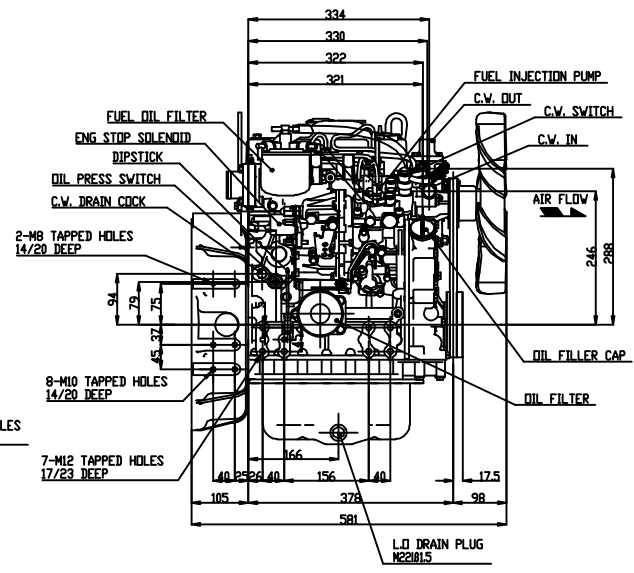
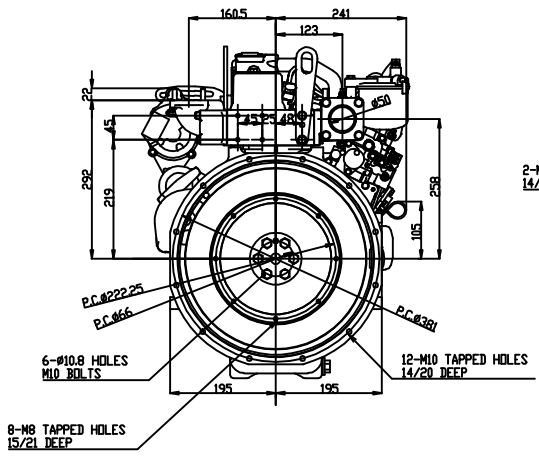
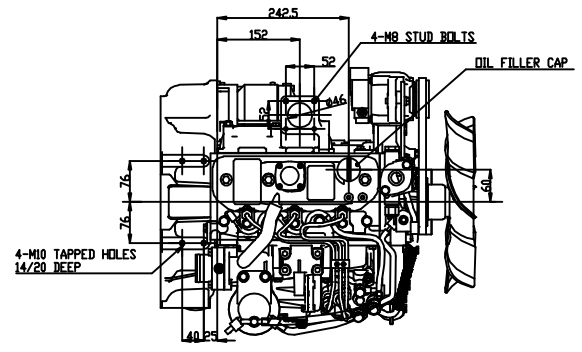
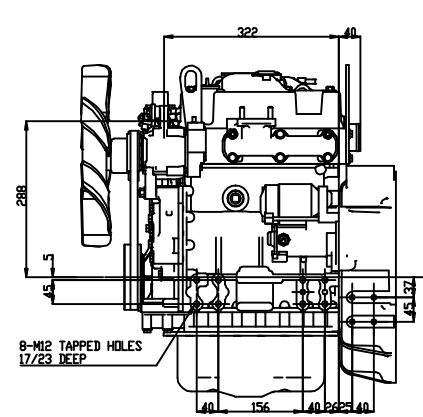


PURCHASING SPECIFICATION  
 REQUEST FOR APPROVAL  
 DELIVERY DRAWING  
 INSPECTING STAMPING  
 QC-PROCESS

FIGURE DIMENSION  
 GT CODE  
 AND  RADIAL

3RD ANGLE PROJECTION  
**C A R E E R**

Rev.1(2003.Apr.18)  
 Change Int.Manifold  
 and Generator.  
 Rev.2(2003.Sep.11)  
 Change parts  
 17C.W. Drain Plug  
 17Generator  
 17W.Juster  
 (YDSTE-03390)  
 Rev.3(2003.Dec.03)  
 Add to 3TNV82A-GJGE  
 (YDSTE-03596)



SD-CAD  
 NOTICE  
 1  
 2  
 3  
 4  
 5  
 6  
 7  
 8  
 9  
 10  
 11  
 12  
 13  
 14  
 15  
 16  
 17  
 18  
 19  
 20  
 21  
 22  
 23  
 24  
 25  
 26  
 27  
 28  
 29  
 30  
 31  
 32  
 33  
 34  
 35  
 36  
 37  
 38  
 39  
 40  
 41  
 42  
 43  
 44  
 45  
 46  
 47  
 48  
 49  
 50  
 51  
 52  
 53  
 54  
 55  
 56  
 57  
 58  
 59  
 60  
 61  
 62  
 63  
 64  
 65  
 66  
 67  
 68  
 69  
 70  
 71  
 72  
 73  
 74  
 75  
 76  
 77  
 78  
 79  
 80  
 81  
 82  
 83  
 84  
 85  
 86  
 87  
 88  
 89  
 90  
 91  
 92  
 93  
 94  
 95  
 96  
 97  
 98  
 99  
 100

WEIGHT	kg	ENGR/MANAGER	
DRY	lb		
WET	kg		
(CALC)	(CALC)		
SEC/MANAGER	MODEL	SCALE	1:4
CHECKED	SPECIALIST	QTY	1
DESIGNED	DATE/TAD	NAME	27/03/2003 17:21:26
YANMAR	CODE	B3-19946-0010	A1