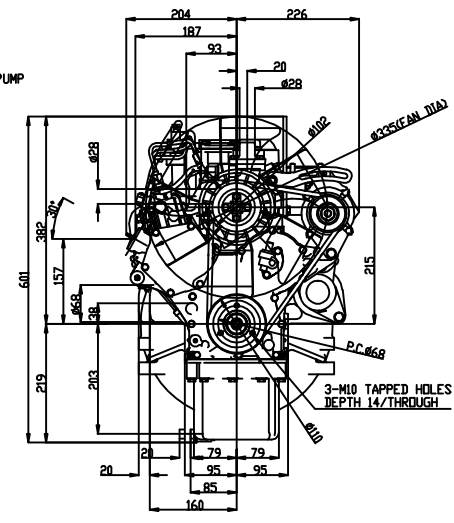
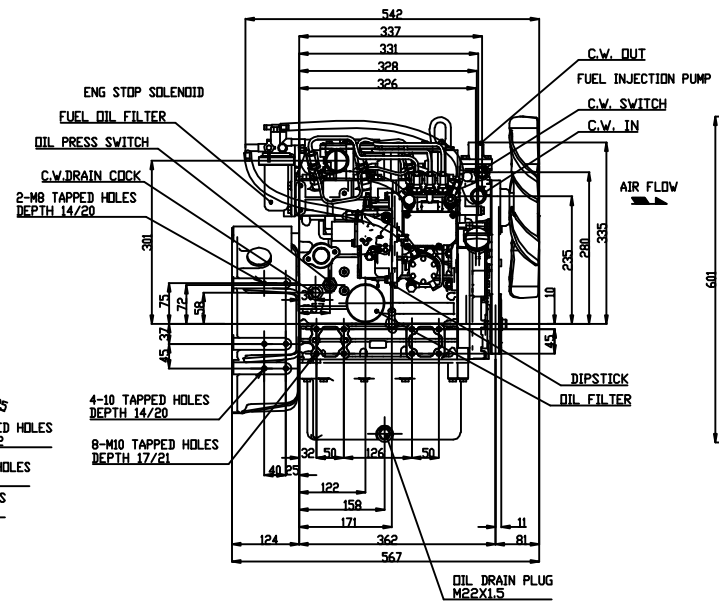
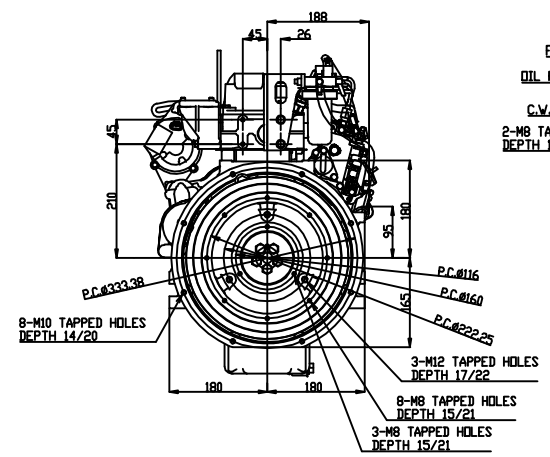
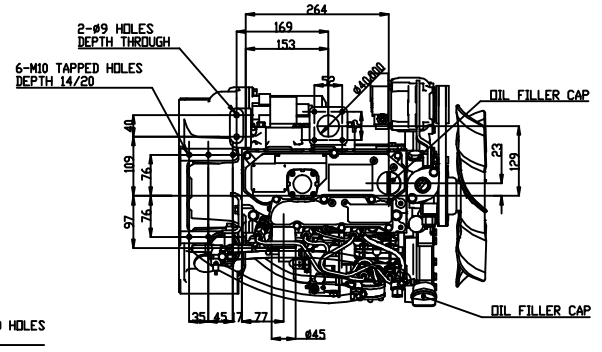
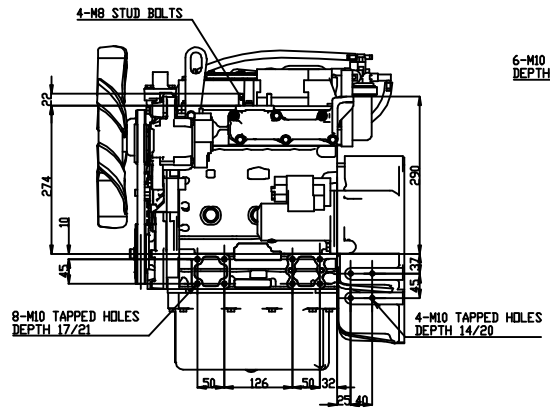


PURCHASE SPECIFICATION
 REQUEST FOR APPROVAL
 DELIVERY DRAWING
 INSPECTING STANDARD
 QC-PROCESS

3RD ANGLE PROJECTION

FIGURE DIMENSION
 GT CODE
 AND RADIAL

CAREER



SD-CAD

NOTICE

OPEN
 CLOSE
 ZOOM
 PAN
 ROTATE
 TRANSLATE
 ERASE
 COPY
 PASTE
 PRINT
 HELP

| | | | | | |
|--|------------|--------|--------------------------|------------|------------|
| WEIGHT (GROSS) | kg | 88.30 | ENGINE MANAGER | SCALE | 1:4 |
| WEIGHT (CALC.) | kg | 0.0000 | SEC-MANAGER | DATE | 2009.10.31 |
| CHECKED | SPECIALIST | QTY 1 | DATE | 2009.10.31 | MATERIAL |
| DESIGNED | YOKII | DRAWN | SAKAI | DATE | 2009.10.31 |
| YANMAR YANMAR CO., LTD. ENGINE PRODUCT OPERATIONS DIV. | | | OUTLINE 83-19746-0040 | | |