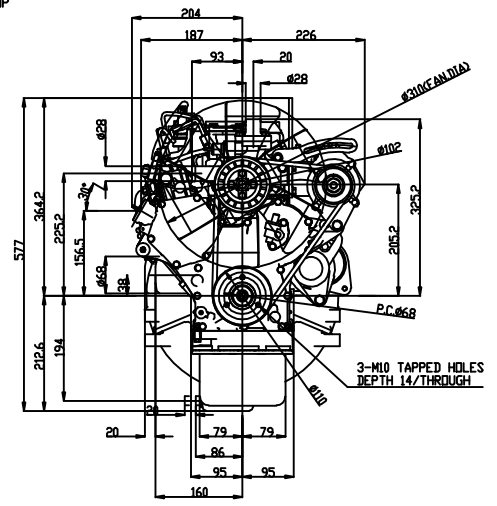
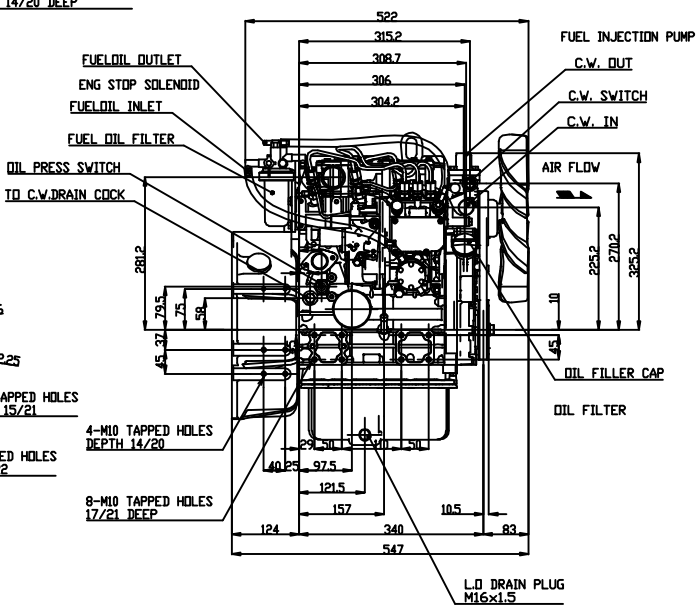
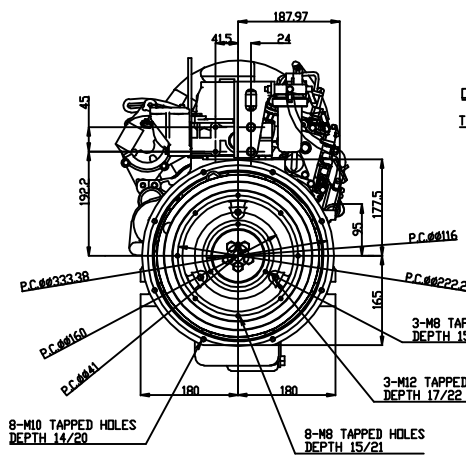
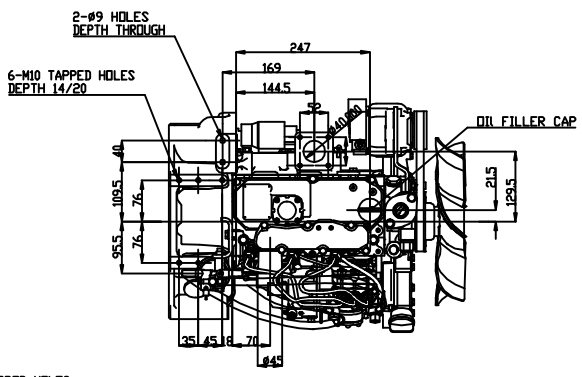
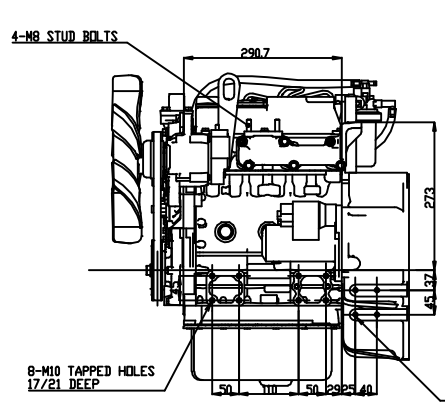


PURCHASING SPECIFICATION
 REQUEST FOR APPROVAL
 DELIVERY DRAWING
 INSPECTING STANDARD
 QC-PROCESS

3RD ANGLE PROJECTION

FIGURE DIMENSION
 GT CODE
 AND RADIAL

CAREER



SD-CAD

NOTICE

OPEN
 CLOSE
 ZOOM
 PAN
 ROTATE
 TRANSLATE
 SCALE
 MIRROR
 ERASE
 COPY
 PASTE
 LAYER
 DIMENSION
 TEXT
 DIMENSION LINE
 DIMENSION VALUE
 DIMENSION STYLE
 DIMENSION TOLERANCE
 DIMENSION UNIT
 DIMENSION ALIGNMENT
 DIMENSION DIMENSION LINE
 DIMENSION DIMENSION VALUE
 DIMENSION DIMENSION STYLE
 DIMENSION DIMENSION TOLERANCE
 DIMENSION DIMENSION UNIT
 DIMENSION DIMENSION ALIGNMENT
 DIMENSION DIMENSION DIMENSION LINE
 DIMENSION DIMENSION DIMENSION VALUE
 DIMENSION DIMENSION DIMENSION STYLE
 DIMENSION DIMENSION DIMENSION TOLERANCE
 DIMENSION DIMENSION DIMENSION UNIT
 DIMENSION DIMENSION DIMENSION ALIGNMENT

WEIGHT (GRAV)	kg	78.70
WEIGHT (CALC.)	0.000kg	68.30
SEC-MANAGER		
CHECKED	SPECIALIST	QTY 1
DESIGNED	7E	
DRAWN	X0	
DATE: Y.M.D	2003.11.7	
TITLE: OUTLINE		
YANMAR CO., LTD. ENGINE PRODUCT OPERATIONS DIV.		
DRAWING NO. 83-19546-0020		SCALE 1:4 MATERIAL DIMENSION UNIT DIMENSION ALIGNMENT